

850

Electronica

**SPARE PARTS
CATALOGUE**



MOTO GUZZI

 **SHELL MOTOR OILS**

SEIMM

SOCIETÀ ESERCIZIO INDUSTRIE MOTOMECCANICHE S.p.A.

Capitale sociale: L. 2.000.000.000 interamente versato

Sede legale: Milano

Registro Imprese Milano N. 130902

Direzione e Stabilimenti: 22054 Mandello del Lario (CO)

Telefoni: 71112 e 72512 (8 linee urbane)

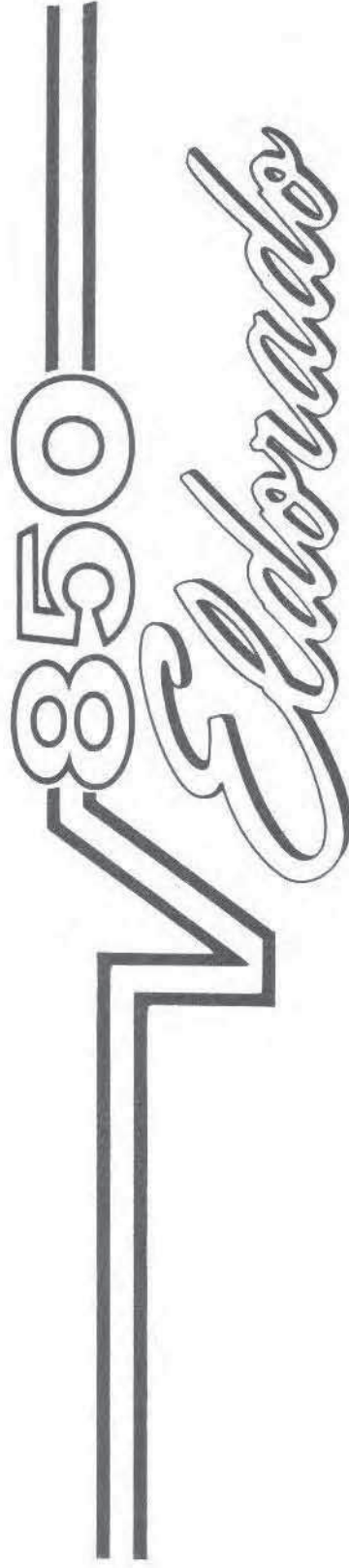
Telegrammi: SEIMM MANDELLOLARIO

Telex: 38095 SEIMM



MOTO GUZZI

C.C.I.A.A. Milano N. 722044 - Como N. 117437 ■ C.C. Postale Como N. 18/4226 ■ Posizione Commercio Estero M 986753



AND VARIANTS FOR « 850 CALIFORNIA POLICE »

(From page 71 to 83)

SPARE PARTS CATALOGUE

NOVEMBER 1972 - 1st EDITION



CONDITIONS OF SALE

- SALES** : All spare parts supplies are subject to goods availability at the time the order is received.
- PRICES** : All prices appearing in the official price list are net ex-factory prices. Any tax or charge inherent to the buying and selling transaction shall be entirely on the buyers.
- DELIVERY AND SHIPMENT** : Moto Guzzi shall not be held liable for any delayed delivery. Any indicated time is only informative and not binding. All goods travel at buyers' risk, including C.O.D. deliveries.
- DISTRIBUTORS** : Any order obtained by the Distributor shall not be binding on Moto Guzzi who reserves the right to decide its execution or not.
- CLAIMS** : Any claim for parts received in a damaged condition, not corresponding to the order, or short supplied is to be made within 8 days from the receipt of such parts.
- LIABILITY** : Moto Guzzi shall not be held responsible for any damages to persons or property arising out from the use of its products, even if such damages be caused by structural or machining defects of the material supplied.

HOW TO ORDER

All orders should contain the following information:

- Transport means required
- Engine number of machine
- Description of part and part number
- Quantity.

All original Moto Guzzi parts are stamped with the registered trade mark and may be obtained from the general distributors or the officially appointed Moto Guzzi dealers.

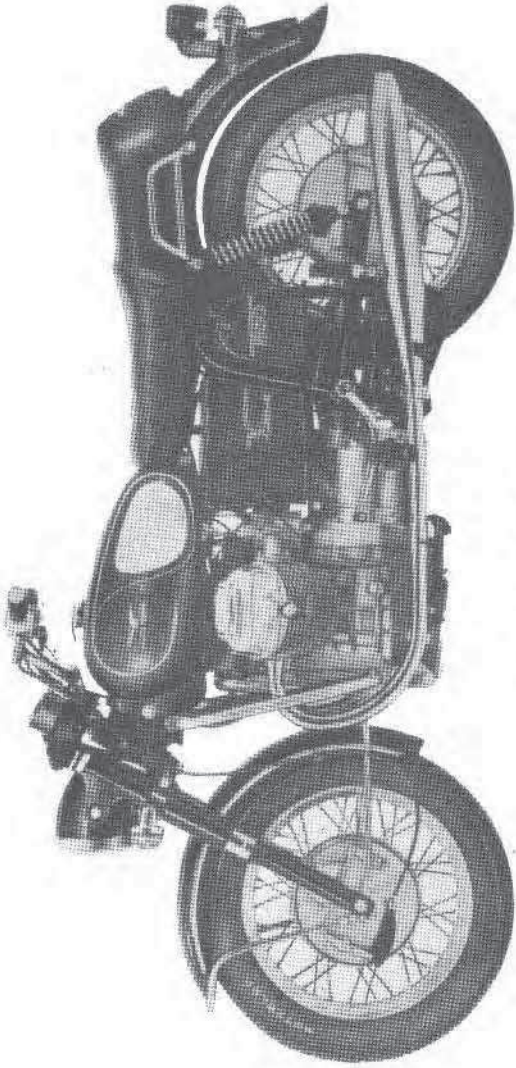


Fig. 1 - Right view

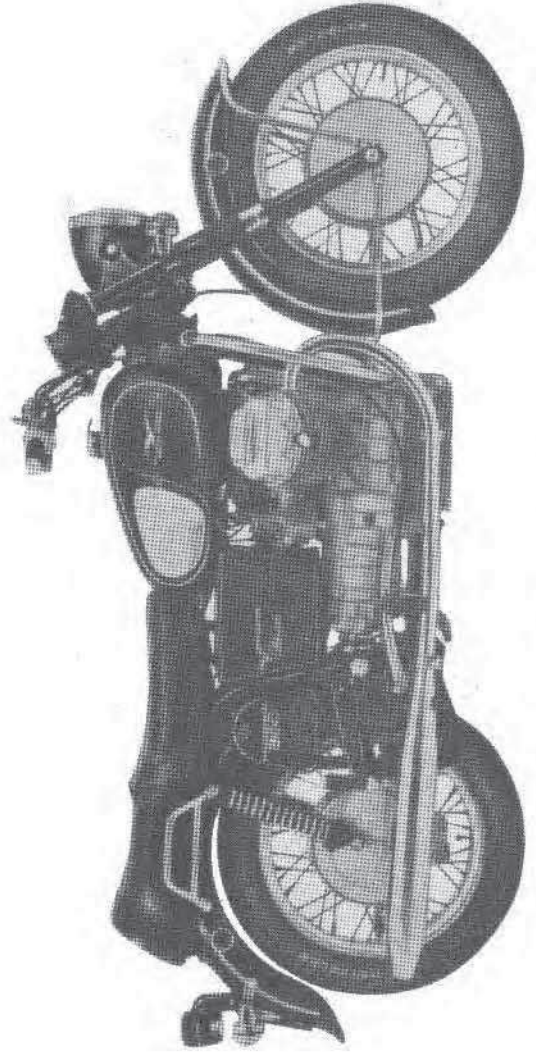


Fig. 2 - Left view

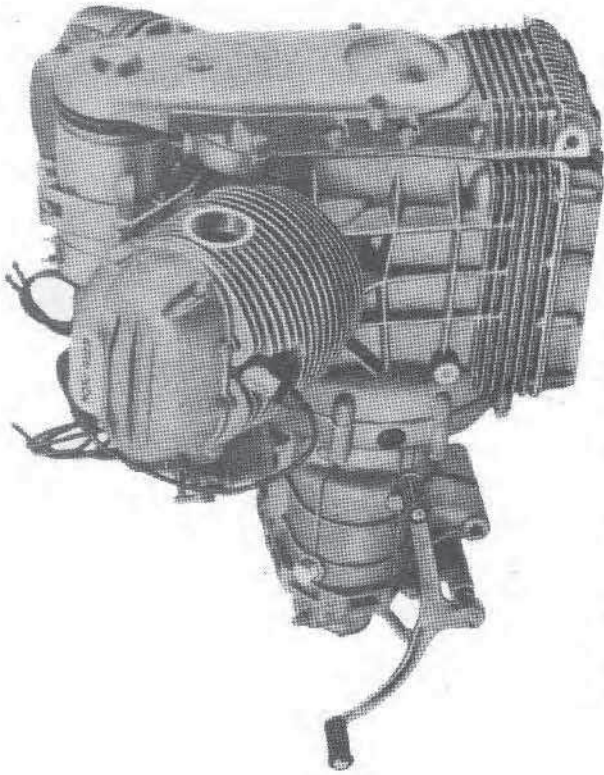


Fig. 3 - Engine, c/w clutch, with gearshift ass.y

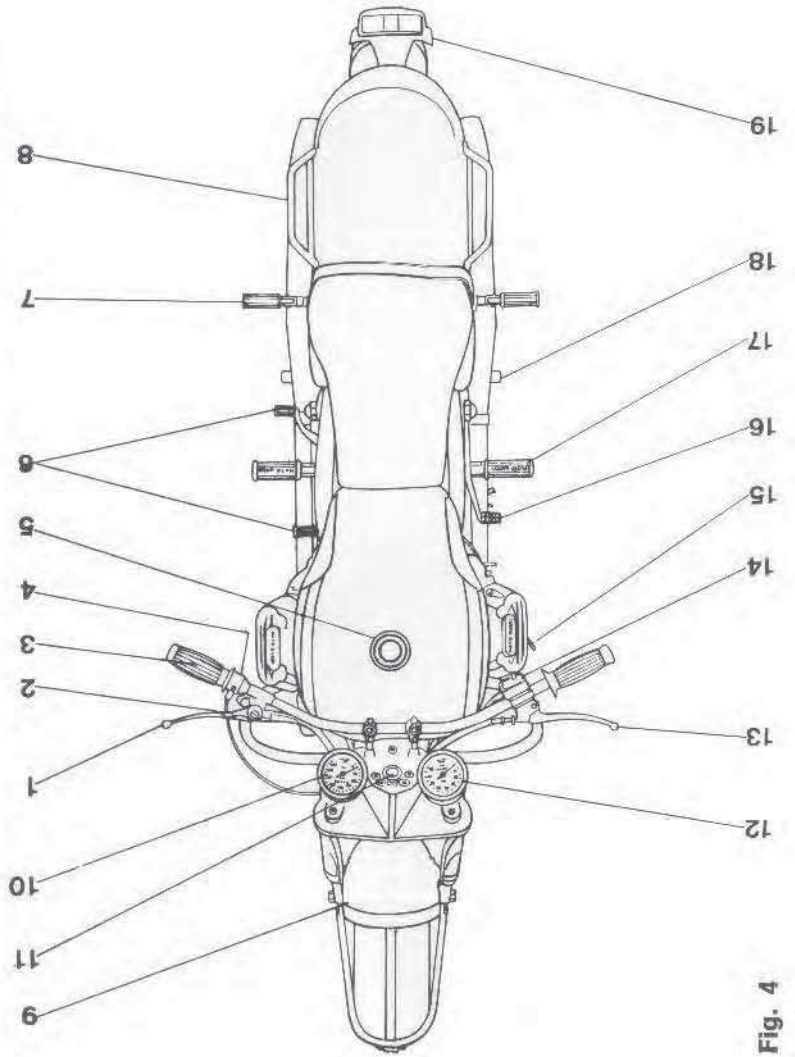


Fig. 4

CONTROLS AND ACCESSORIES

(see fig. 4)

1. Front brake lever
2. Air control lever
3. Throttle control grip
4. Starter button
5. Filler cap
6. Gearshift lever
7. Pillion footrests
8. Pillion handgrip
9. Headlight
10. Speedometer
11. Ignition key
12. Rev-counter
13. Clutch lever
14. Light switch and horn button
15. Side stand
16. Rear brake pedal
17. Footrests
18. Center stand
19. Tail light

N.B. - The terms « right » and « left » in the text are used in the sense they would appear to one sitting in the saddle.



MAIN FEATURES

ENGINE

(See fig. 5/1)

Cycle	: 4 strokes
Number of cylinders	: 2
Cylinder disposition	: "V" 90°
Bore	: 83 mm (3.26")
Stroke	: 78 mm (3.07")
Displacement	: 844.05 cc. (51.5 cu.in)
Compression ratio	: 9.2 to 1
Revs at maximum engine speed	: 6500 r.p.m.
Output at maximum engine speed	: 64 HP SAE
Crankcase	: in light alloy
Cylinders	: in light alloy with hard chromed barrels
Cylinder heads	: in light alloy, hemispherical, with special cast iron inserted seats
Crankshaft	: steel construction
Crankshaft supports	: in anti-friction material pressed in 2 suitable housings
Connecting rods	: steel construction with AL-TIN alloy thin wall bearings
Pistons	: in light alloy

Valve gear

O.H.V., push rod operated via the camshaft in the crankcase and gear driven by the crankshaft.

Inlet:

- opens 24° before TDC
- closes 58° after BDC

Exhaust:

- opens 58° before BDC
- closes 22° after TDC

Rocker clearance for valve timing:

- 0.5 mm. (.0196")

Normal rocker clearance (cold engine):

- inlet 0.15 mm. (.0059")
- exhaust 0.20 mm. (.0098")

Carburation

2 Dell'Orto carburetors type VHB 29 CD (right) and VHB 29 CS (left), both gravity fed from the tank.

Standard carburetor setting

- Choke : 29 mm.
- Throttle slide : 60

- Atomizer : 265
- Main jet : 145
- Pilot jet : 45
- Starter atomizer : 80

With needle SV5 second notch from top: idling screw open 1½ to 2 turns for the left carburetor and 2-2½ turns for the right carburetor.

Air intake provided with dry filter.

Lubrication

Pressure, by gear driven by the crankshaft.

Oil strainer in crankcase.

Normal lubrication pressure 3.8-4.2 kgs/sq. cm. (54 to 60 lbs sq.in.) controlled by relief valve.

Electrically controlled oil pressure gauge.

By air. Cylinder and cylinder head deeply finned.

Cooling

By battery with automatic advance distributor.

Initial advance: 5°.

Automatic advance: 28°.

Ignition timing 33° full advance.

Contact breaker gap: 0.42-0.48 mm. (.016"-.018").

Spark plug: n. 225 in Bosch-Marelli scale or equivalent (long thread Ø 14 x 1.25).

Plugs point gap: 0.6 mm. (0.23").

Ignition coil.

Starting

Electric starter with electromagnetic ratchet control.

Ring gear bolted on flywheel. Operated by starter button on the right handlebar.

Exhaust system

Dual exhaust pipes and mufflers.

TRANSMISSION

Clutch

Twin driven plates dry type, flywheel driven. Controlled by lever on the left handlebar.

Gear box

Five speeds, frontal engagement. Helical constant mesh gears. Cush drive incorporated.

Separate case bolted on crankcase, operated by rocker pedal from the R/H or L/H side of the machine.

Engine gear-box ratios: 1 to 1.235 (17-21)



MOTO GUZZI

MAIN FEATURES

Internal gear ratios:

— low gear	1 to 2	(14-28)
— second gear	1 to 1.388	(18-25)
— third gear	1 to 1.047	(21-22)
— fourth gear	1 to 0.868	(23-20)
— high gear	1 to 0.750	(24-18)

By constant speed double joint cardan shaft.

Layshaft - bevel gear ratio: 1 to 4.625 (8-37)

Overall gear ratios:

— low gear	1 to 11.424
— second gear	1 to 7.929
— third gear	1 to 5.980
— fourth gear	1 to 4.964
— high gear	1 to 4.284

Duplex cradle, tubular structure.

Telescopic front fork incorporating hydraulic dampers.
Rear swinging fork with externally adjustable springs.

WM 3/2,15 x 18"

4.00 x 18 front and rear, block type (Supersport).

Front tire:

solo	}	1.5 kgs/sq.cm. = 21 p.s.i.
with passenger		
Rear tire:		
solo	}	1.8 kgs/sq.cm. = 25 p.s.i.
with passenger		

N.B. - The above recommendation is for normal riding (cruising speed). If using the machine at constant high speed or on motorways, the above pressure should be increased by 0.2 kgs/sq.cm. (2.8 p.s.i.).

Expanding type, 220 mm. dia. (8.66").

Twin leading shoes front brake operated by hand lever on the right handlebar.

Large rear brake operated on left hand side of machine.

Brakes

Overall dimensions and weight

Wheelbase	1.470 mts. (about 57.8")
Length	2.245 mts. (about 88.3")
Width	0.795 mts. (about 31.3")
Height (dry)	1.050 mts. (about 41.3")
Minimum ground clearance	0.150 mts. (about 5.9")
Curb weight	249 kgs. (about 548 lbs.)

Performances

Maximum permissible speeds in each gear, solo riding:

— bottom gear	68 kms/h (42 m.p.h.)
— climbability:	86%
— second gear	98 kms/h (61 m.p.h.)
— climbability:	46%
— third gear	131 kms/h (82 m.p.h.)
— climbability:	28%
— fourth gear	164 kms/h (102 m.p.h.)
— climbability:	17%
— high gear	193 kms/h (120 m.p.h.)
— climbability:	8,9%

Passing of a 55 feet long truck travelling at 20 m.p.h.

— Time	: 6,5 seconds
— Distance travelled:	334 feet

Passing of a 55 feet long truck travelling at 50 m.p.h.

— Time	: 8,7 seconds
— Distance travelled:	900 feet

The above includes a safety distance of 40 and 100 feet respectively between the passing and pace vehicle at the beginning and end of the manoeuvre.

Braking ability

Stopping distance from 60 m.p.h. (Solo, using both brakes)	: 182 feet
Stopping distance with passenger from 60 m.p.h. (using both brakes)	: 198 feet

Fuel and oil capacities

Group or part	Quality	Recommendation
Fuel tank	22.5 liters (5.84 US gls.)	Petrol 96/100 NO
Reserve	4 liters (1 US gls.)	(Regular octane)
Sump	3 liters (3 1/4 quarts)	Shell Super 100 multigrade or equivalent
Transmission	0.750 liters (1 3/4 pints)	Shell Spirax H.D. 90
Rear drive box (bevel set lubrication)	0.230 liters (1/2 pint)	Shell Spirax H.D. 90
Front fork dampers (each leg)	0.160 liters (5.4 oz. US)	Shell Tellus 33



INDEX TO PLATES

Model	Main group	SUB - ASSEMBLY	Plate No.	
V 850 TWIN	ENGINE	Cylinders - Cylinder heads - Rocker boxes - Rocker assemblies - Valves Crankcase and covers Crankshaft - Connecting rods - Pistons - Timing gears Oil pump - Oil lines - Filter - Breather unit - Oil pressure solenoid Fuel tank - Exhaust pipes - Mufflers Carburetor - Control cables - Air cleaner	1 2 3 4 5 6	
	PRIMARY DRIVE	Clutch and controls Gear box and covers Gear box - Shafts - Controls	7 8 9	
	REAR WHEEL DRIVE	Rear fork - Drive box - Drive shaft and bevel gears	10	
	FRAME	Frame - Center stand - Side stand - Footrest pivot - Pillion footrests - Rear fender	11	
	FRONT SUSPENSION STEERING	Steering - Front fork - Front fender	12	
	STEERING	Handlebar and controls	13	
	INSTRUMENT PANEL	Speedometer and rev-counter	14	
	WHEELS BRAKES	Front wheel - Wheel hub - Front brake and controls Rear wheel - Hub - Rear brake and controls	15 16	
	ELECTRICAL EQUIPMENT	Ignition and lighting Headlight - Battery - Horn - Tail light - Cables	17 18	
	STANDARD ACCESSORIES	Saddle bags Fairing - Windscreen Turn light indicators	19 20 21	
	TOOLS	Tool kit - Gasket - Seal set	22	
	PARTS FOR 850 cc CALIFORNIA ONLY (From page 71 to page 84)			
	ADDITIONAL PLATES (From page 85 to page 97)	ELECTRICAL EQUIPMENT BREAKDOWN	Head and tail lights Starter motor Generator Distributor	50 51 52 53
		ENGINE	Carburetor	54



NUMERICAL INDEX

Order No.	Plate No.	Figure No.	Order No.	Plate No.	Figure No.	Order No.	Plate No.	Figure No.	Order No.	Plate No.	Figure No.	Order No.	Plate No.	Figure No.	Order No.	Plate No.	Figure No.
09905100	22	21	12012900	2	19	12114401	6	11	12350201	10	22	12450300	11	51	12577250	20	12
10237900	9	28	12018900	2	32	12115002	1	51	12350301	10	32	12450400	11	52	12577840	20	22
10238300	9	29	12019600	2	41	12115003	1	51	12350400	10	52	12460502	11	60	12577940	20	13
10551600	11	63	12021700	1	39	12115503	6	23	12350700	10	53	12464320	11	65	12578240	20	14
10700217	52	22	12021800	1	43	12117001	6	23	12351100	10	61	12464340	19	20	12578450	20	15
10700224	52	12	12023502	1	10	12117501	6	24	12351300	10	63	12474921	18	33	12578621	20	26
10700253	52	29	12023700	1	11	12118005	13	27	12351400	10	59	12490221	12	10	12578921	20	29
10744900	14	22	12030200	1	26	12120200	5	25	12351501	10	37	12492300	12	18	12600101	13	10
10744910	14	38	12030400	1	27	12120900	5	22	12351601	10	38	12492700	12	17	12600300	13	10/1
10754900	21	24	12031800	1	31	12120905	5	23	12352400	10	42	12493001	12	16	12601905	13	22
10754900	14	39	12034001	1	29	12122501	5	35	12352600	10	43	12494180	12	22	12605505	13	20
10900600	22	12	12034800	1	17	12122920	5	34	12352900	10	45	12494201	12	24	12605605	13	12
11500700	13	33	12038100	1	33	12123020	5	33	12354600	10	49	12494500	12	20	12605705	13	21
12001400	2	24	12045001	3	41	12123900	5	26	12355100	10	46	12496121	12	30	12607500	6	12
12001600	2	30	12045800	3	40	12147800	4	28	12355202	10	47	12496221	12	31	12607900	6	13
12003300	2	34	12045801	3	36	12148500	4	29	12355203	10	48	12498000	12	28	12607900	6	13
12003500	2	35	12045802	3	36	12149800	4	36	12355301	10	48	12500240	13	30	12608300	6	22
12003600	2	36	12062000	3	16	12150700	4	24	12355302	10	48	12610103	15	44	12608300	6	22
12003701	10	33	12062001	3	16	12150900	4	26	12355303	10	48	12610200	15	10	12610200	15	10
12003900	2	10/1	12062002	3	16	12152200	4	37	12355400	10	54	12610300	15	11	12610300	15	11
12006200	4	14	12062003	3	33	12153200	4	38	12355402	10	54	12610800	15	12	12610800	15	12
12006400	4	17	12065400	3	31	12153600	4	48	12355406	10	54	12611501	15	13	12611501	15	13
12006500	4	15	12067000	3	33	1215701	4	46	12355408	10	56	12613200	15	14	12613200	15	14
12006600	7	28	12067701	3	32	12157401	4	51	12355410	10	56	12614100	15	17	12614100	15	17
12007200	4	10	12074000	3	37	12157800	4	52	12356300	10	57	12615200	15	40	12615200	15	40
12011400	4	11	12082300	3	33	12159000	4	41	12356400	10	57	12615300	15	43	12615300	15	43
12011401	4	11	12082800	3	37	12159100	4	41	12356700	10	41	12615800	15	42	12615800	15	42
12011402	2	20	12082900	3	13	12159200	4	18	12424500	4	54	12615801	15	42	12615801	15	42
12011403	2	20	12084400	7	14	12159900	4	22	12429600	11	15	12615802	15	42	12615802	15	42
12011700	2	40	12085901	7	16	12159900	4	21	12429800	11	13	12615803	15	42	12615803	15	42
12011800	2	22	12087001	7	18	12159900	4	19	12429800	11	13	12615804	15	42	12615804	15	42
12011900	2	16	12091902	2	16	12200900	8	18	12430301	11	27	12615805	15	42	12615805	15	42
12011901	2	16	12091902	2	16	12207200	8	29	12432800	11	32	12615805	15	42	12615805	15	42
12011902	2	16	12103500	5	15	12207700	8	30	12433000	11	33	12615805	15	42	12615805	15	42
12011903	2	16	12103900	5	12	12211001	9	40	12434200	11	30	12615805	15	42	12615805	15	42
12011904	2	18	12105401	5	19	12211002	9	40	12435700	11	36	12615805	15	42	12615805	15	42
12012100	2	39	12105402	5	20	12211004	9	74	12435900	12	52	12615805	15	42	12615805	15	42
12012800	2	23	12106501	5	20	12211200	9	77	12440200	11	38	12615805	15	42	12615805	15	42
			12108400	5	42	12211700	9	38	12441305	11	39	12615805	15	42	12615805	15	42
			12113200	6	25	12250906	9	10	12441905	9	13/2	12615805	15	42	12615805	15	42
			12113401	6	27	12326300	10	27	12442105	9	13/1	12615805	15	42	12615805	15	42
			12113600	6	26	12327700	10	28	12443200	11	40	12615805	15	42	12615805	15	42
			12114301	6	32	12328000	10	26				12615805	15	42	12615805	15	42



NUMERICAL INDEX

Order No.	Plate No.	Figure No.	Order No.	Plate No.	Figure No.	Order No.	Plate No.	Figure No.	Order No.	Plate No.	Figure No.	Order No.	Plate No.	Figure No.	Order No.	Plate No.	Figure No.
12620200	15	18	12700126	52	26	12715437	53	36	12730537	51	36	12747700	17	46/1	13037400	1	19
12620800	15	19	12700127	52	27	12715438	53	37	12730538	51	37	12747900	18	42	13037600	1	20
12621400	15	20	12700128	52	28	12715439	53	38	12730539	51	38	12750600	18	45	13038000	1	18
12621500	16	21	12700130	52	30	12715440	53	39	12730540	51	39	12750705	21	23	13060160	1	55
12622500	15	38	12700131	52	31	12715441	53	40	12730541	51	40	12750805	21	17	13060260	3	17/1
12623200	15	27	12700205	17	10	12715442	53	41	12730542	51	41	12751305	21	16	13060700	3	18
12623300	16	31	12700300	17	11	12715443	53	42	12730705	17	45	12751705	21	17	13060800	3	19
12625000	15	24	12700610	17	20	12715444	53	43	12730723	51	A	12752500	21	10	13060999	3	20/1
12625300	15	29	12700700	17	14	12715445	53	44	12730760	53	20	12755105	21	11	13061260	3	21
12626300	15	22	12700900	17	18	12715446	53	44	12730760	53	20	12755005	21	11	13064260	3	10
12626600	15	31	12702505	17	21	12715701	17	24	12731000	17	45/1	12755105	21	32	13071700	3	23
12626700	15	32	12702900	17	44	12715901	17	25	12732500	17	61	12755105	21	16	13074060	3	25
12626800	15	33	12703000	17	45	12716200	17	29	12732605	17	66	12755105	21	17	13084100	7	10
12630201	15	33	12703805	17	46	12717600	17	37	12732800	17	47	12755105	21	17	13093061	7	10
12630500	16	11	12704200	17	49	12717801	17	36	12734900	17	50	12755105	21	17	13100221	5	10
12633000	16	14	12704601	18	18	12718301	17	39	12735300	17	50	12755105	21	17	13105460	5	19
12633200	16	50	12705500	18	19	12718501	17	41	12735300	17	54	12755105	21	17	13105461	5	19
12633300	16	17	12705600	18	17	12719305	17	43	12735750	17	51	12755105	21	17	13112602	6	10
12634000	16	55	12706800	18	27	12730511	17	10	12735750	17	51	12755105	21	17	13112603	6	10
12634100	16	18	12715400	17	28	12730511	51	11	12740320	50	24	12755105	21	17	13123460	54	10
12635201	16	19	12715410	53	A	12730512	51	12	12740321	50	14	12755105	21	17	13123460	54	10
12635600	16	26	12715411	53	10	12730513	51	13	12740407	50	20	12755105	21	17	13146201	5	27
12637400	16	20	12715412	53	11	12730514	51	14	12740408	50	21	12755105	21	17	13146201	5	27
12638100	15	23	12715413	53	12	12730515	51	15	12740409	50	22	12755105	21	17	13147700	4	30
12638200	16	22	12715414	53	13	12730516	51	16	12740420	50	13	12755105	21	17	13200880	8	12
12639601	16	32	12715415	53	14	12730517	51	17	12740422	50	19	12755105	21	17	13200880	8	12
12675405	16	39	12715416	53	15	12730518	51	18	12740521	50	10	12755105	21	17	13211600	9	76
12676001	16	38	12715417	53	19	12730519	51	19	12740920	50	10	12755105	21	17	13250760	9	14
12676505	16	42	12715420	53	18	12730520	51	20	12741720	50	23	12755105	21	17	13251165	9	13
12677005	16	40	12715421	53	19	12730521	51	21	12741720	50	25	12755105	21	17	13257860	9	21
12700110	52	10	12715423	53	21	12730522	51	22	12741723	50	27	12755105	21	17	13257860	9	21
12700113	52	13	12715424	53	22	12730523	51	23	12741724	50	28	12755105	21	17	13257860	9	21
12700114	52	14	12715425	53	23	12730524	51	24	12741725	50	29	12755105	21	17	13257860	9	21
12700115	52	15	12715426	53	24	12730525	51	25	12741726	50	30	12755105	21	17	13257860	9	21
12700116	52	16	12715427	53	25	12730526	51	26	12741727	50	31	12755105	21	17	13257860	9	21
12700117	52	17	12715428	53	26	12730527	51	27	12741728	50	32	12755105	21	17	13257860	9	21
12700118	52	18	12715429	53	27	12730528	51	28	12741728	50	33	12755105	21	17	13257860	9	21
12700119	52	19	12715430	53	29	12730529	51	29	12742500	50	18	12755105	21	17	13257860	9	21
12700120	52	20	12715432	53	31	12730530	51	30	12743022	50	16	12755105	21	17	13257860	9	21
12700121	52	21	12715433	53	30	12730531	51	31	12743022	50	17	12755105	21	17	13257860	9	21
12700123	52	23	12715434	53	32	12730532	51	32	12746001	18	11	12755105	21	17	13257860	9	21
12700124	52	24	12715435	53	33	12730533	51	33	12747107	18	41	12755105	21	17	13257860	9	21
12700125	52	25	12715436	53	34	12730534	51	34	12747200	18	40	12755105	21	17	13257860	9	21
	52	25	12715436	53	35	12730535	51	35	12747420	18	43	12755105	21	17	13257860	9	21
	52	25	12715436	53	35	12730536	51	35	12747501	18	44	12755105	21	17	13257860	9	21



NUMERICAL INDEX

Order No.	Plate No.	Figure No.	Order No.	Plate No.	Figure No.	Order No.	Plate No.	Figure No.	Order No.	Plate No.	Figure No.	Order No.	Plate No.	Figure No.
13486501	19 14	26	13933900	54	42	45212400	20	23	90405369	2	21	92251022	9	57
13486800	19 15	27	13934400	54	45	45336802	8	18/1	90407085	10	55	92251030	9	44
13488500	19 23	48	13934600	54	43	45409701	13	34	90706076	14	37	92254340	10	60
13501500	14 10	31	13934700	54	47	45717450	17	40	90706090	1	40	92256218	8	17
13502200	14 11	46	13934800	54	65	45717600	17	38	90706140	8	28	92259017	9	56
13502400	11 53	54	13934900	54	50	45918570	11	19	90706163	17	56	92295702	9	79
13502400	11 13	16	13935000	54	51	55103425	5	16	90706170	7	20	92296750	9	46
13601045	13 13	34	13935500	54	55	55127025	5	32	90706203	9	62	92602205	17	65
13605445	13 11	32	13935700	54	61	55234700	8	41	90706222	12	14	92602205	20	18
13625421	15 27/1	35	13935900	54	58	55235000	9	35	90706235	9	72	92602206	6	31
13705225	18 22	40	13936100	54	60	55235002	9	35	90706250	3	24	92602206	11	47
13705226	18 22	41	13936200	54	16	55235003	9	35	90706252	17	52	92602206	15	34
13705425	18 23	41	13936300	54	52	55251000	9	11	90706490	10	44	92602206	16	45
13705426	18 23	38	13936600	54	71	55434825	12	56	90706746	12	41	92602206	17	59
13705427	18 26	39	13936700	54	14	55442300	11	42	90706746	14	16	92602206	17	69
13706600	18 26	42	13936800	54	64	55443385	11	43	90714051	12	49	92602206	18	20
13707300	18 25	11	13937000	54	78	55445800	19	21	90714101	8	39	92602206	19	19
13741640	18 47	17	13937100	54	37	55603000	13	26	90714123	10	36	92602206	20	28
13741721	50 26	22	13937400	54	66	55603400	13	25	90714195	5	18	92602206	21	22
13744920	14 24	18	13937500	54	54	55603500	13	24	90714195	2	37	92602206	2	15
13748920	18 29	54	13937600	54	38	55717000	17	42	90714195	8	36	92602206	5	17
13761001	14 25	19	13937700	54	48	55740328	50	12	90716082	1	49	92602208	6	19
13761100	14 26	24	13937800	54	36	55741100	18	28	90718375	5	24	92602208	11	34
13761200	14 27	21	13937900	54	53	55749600	21	29	91115111	1	28	92602208	12	60
13761300	14 28	43	13938600	54	34	55900400	22	15	91115111	1	28	92602208	17	35
13761400	14 29	44	13938700	54	32	55900400	22	15	91112122	3	13	92602208	18	14
13761521	14 15	33	13938800	54	32/1	55901900	22	10	91180707	20	31	92602210	21	36
13764900	14 33	45	13938900	54	33	55902400	22	16	91180710	13	28	92602210	25	29
13766320	14 36	43	13991060	2	25	55919425	22	18	91180949	11	16	92602210	5	29
13766420	14 35	44	13991460	2	27	55919525	22	18	91181015	11	66	92602210	15	26
13767200	14 21	22	14018400	22	2	55938585	54	20	91181309	21	13	92602210	16	28
13767300	14 30	41	14018400	1	31	90118152	1	32	91551081	1	54	92602210	13	16
13767701	14 32	12	14061501	3	11	90118247	9	41	91551053	11	71	92602210	20	25
13767800	14 34	15	14062201	3	15	90271014	16	46	91551053	17	70	92602210	1	30
13768200	21 31	67	14081810	9	18	90271014	16	46	91551102	12	29	92602508	7	23
13917227	11 56	17	14085700	7	15	90271020	10	29	91701232	4	31	92602508	8	27
13917525	18 24	19	14086000	7	17	90272058	10	30	91702355	3	10/1	92602512	12	27
13917825	18 24	19	14086100	7	17	90351037	3	22	92201070	10	58	92602512	12	27
13917827	18 24	21	14086600	7	19	90353016	1	16	92201070	10	58	92605008	10	21
13918523	11 17	22	14090201	7	21	90353016	1	16	92201417	8	22	92605008	16	47
13932800	54 12	22	14090400	7	22	90353046	12	43	92204228	10	31	92605008	16	47
13932900	54 13	8	14115400	1	53	90403040	15	17	92204228	10	31	92608205	8	31
13933000	54 29	10	14200210	8	10	90403249	15	39	92218424	8	13	92630105	11	77
13933100	54 30	8	14201110	8	21	90403249	16	51	92234117	8	19	92630105	12	67
13933400	54 28	39	14210511	9	39	90403547	8	23	92246922	15	41	92630106	9	37
13933700	54 28	70	14210701	9	59	90403550	12	35	92249216	16	53	92630108	5	37
13933700	54 25	73	14211110	9	49	90403850	10	62	92249216	10	40	92630110	11	28
				54	49	90403851	2	25	92249225	12	21	92700050	18	32
				54	49	90403851	2	25	92249225	12	21	92700071	6	21



NUMERICAL INDEX

Order No.	Plate No.	Figure No.	Order No.	Plate No.	Figure No.	Order No.	Plate No.	Figure No.	Order No.	Plate No.	Figure No.	Order No.	Plate No.	Figure No.
92700073	9	18	95021105	17	64	95100709	1	46	95985136	4	50	95985136	4	50
92700128	11	11	95021106	3	27	95100727	15	21	95990037	10	19	95990037	10	19
92700171	15	15		4	40/1	95100901	12	37/1	96508045	2	11	96508045	2	11
92701086	16	15	95021108	6	29	95101231	2	14	96508066	2	12	96508066	2	12
92701086	4	33		9	23		95101231	5	14	96508075	2	2	96508075	2
92701139	12	11	95021110	13	15	95129180	6	18	98020435	4	45	98020435	4	45
92701148	16	25		17	44		95129180	11	24	98020535	12	46	98020535	12
92701187	3	28	95021110	17	23	95187008	16	48	98022328	2	26	98022328	2	26
92701252	12	23		19	18		95187008	17	27	98024310	4	40	98024310	4
92720200	10	14	95021110	20	24	95500222	12	26	98054430	18	35	98054430	18	35
92731090	3	14		11	62		95500222	1	35	98054522	5	31	98054522	5
92750062	14	12	95021121	12	59	95510318	2	42/1	98062535	11	48	98062535	11	48
92751103	1	42		13	32		95510318	3	38/1	98106015	19	22	98106015	19
92781061	14	14	95021121	17	13	95512060	4	13	98106017	10	11	98106017	10	11
92850752	11	18		18	15		95512060	10	20	98106021	4	12	98106021	4
93110060	12	51	95021110	21	35	95512081	4	32	98106022	16	43	98106022	16	43
93110060	11	75		5	30		95512081	4	44	98108015	2	27	98108015	2
93110060	12	65	95021110	11	49	95512081	4	44	98108038	6	17	98108038	6	17
93110060	12	65		16	27		95512081	9	16	98108042	6	19	98108042	6
93180070	20	21	95021110	16	27	95512060	9	16	98110015	11	25	98110015	11	25
93180070	11	57		17	60		95512060	17	30	98260525	20	20	98260525	20
93180105	12	61	95021110	17	68	95512060	15	36	98280614	10	64	98280614	10	64
93180220	8	11		18	15		95512060	16	36	98305009	12	48	98305009	12
93301175	17	/A	95021110	21	28	95512081	17	19	98305017	18	30	98305017	18	30
93301313	11	72		12	55		95512081	17	30	98326020	13	14	98326020	13
93400363	21	28	95021110	17	68	95512060	16	36	98620318	13	23	98620318	13	23
93400548	21	30		2	28		95512060	17	19	98620325	8	25	98620325	8
93450129	21	15	95021110	11	46	95512060	17	19	98620330	1	12	98620330	1	12
93450223	18	34		12	57		95512060	13	29	98620335	13	19	98620335	13
93601022	12	19	95021110	14	13	95512060	13	29	98620420	18	13	98620420	18	13
93601026	12	19		17	60		95512060	53	17	98620435	10	48	98620435	10
93760072	13	18	95021110	18	21	95512060	2	24/1	98622320	10	39	98622320	10	39
94321051	9	47		18	21		95512060	3	39	99105080	5	28	99105080	5
94321067	8	40	95021110	7	29	95512081	2	24/1	99105127	17	17	99105127	17	17
94321072	4	25		16	37		95512081	8	20	99105134	11	29	99105134	11
94321105	7	24	95021110	16	37	95512081	8	20						
94322215	1	33		17	32		95512081	17	30					
95000205	11	76	95021110	11	50	95512081	16	35						
95000205	12	66		11	35		95512081	16	35					
95000205	17	63	95021110	11	26	95512081	17	16						
95000205	20	17		15	25		95512081	17	16					
95004208	8	34	95021110	15	25	95512081	16	34						
95004208	19	17		12	47		95512081	16	34					
95004215	21	21	95021110	11	41	95512081	9	17						
95004215	21	34		15	35		95512081	15	35					
95005210	10	65	95021110	12	12	95512081	15	35						
95005210	11	37		4	23		95512081	7	25					
95005210	10	12	95021110	12	12	95512081	6	20						
95005210	11	10		16	24		95512081	13	17					
95005210	11	10	95021110	15	16	95512081	8	37						
95005210	10	12		3	29		95512081	10	35					

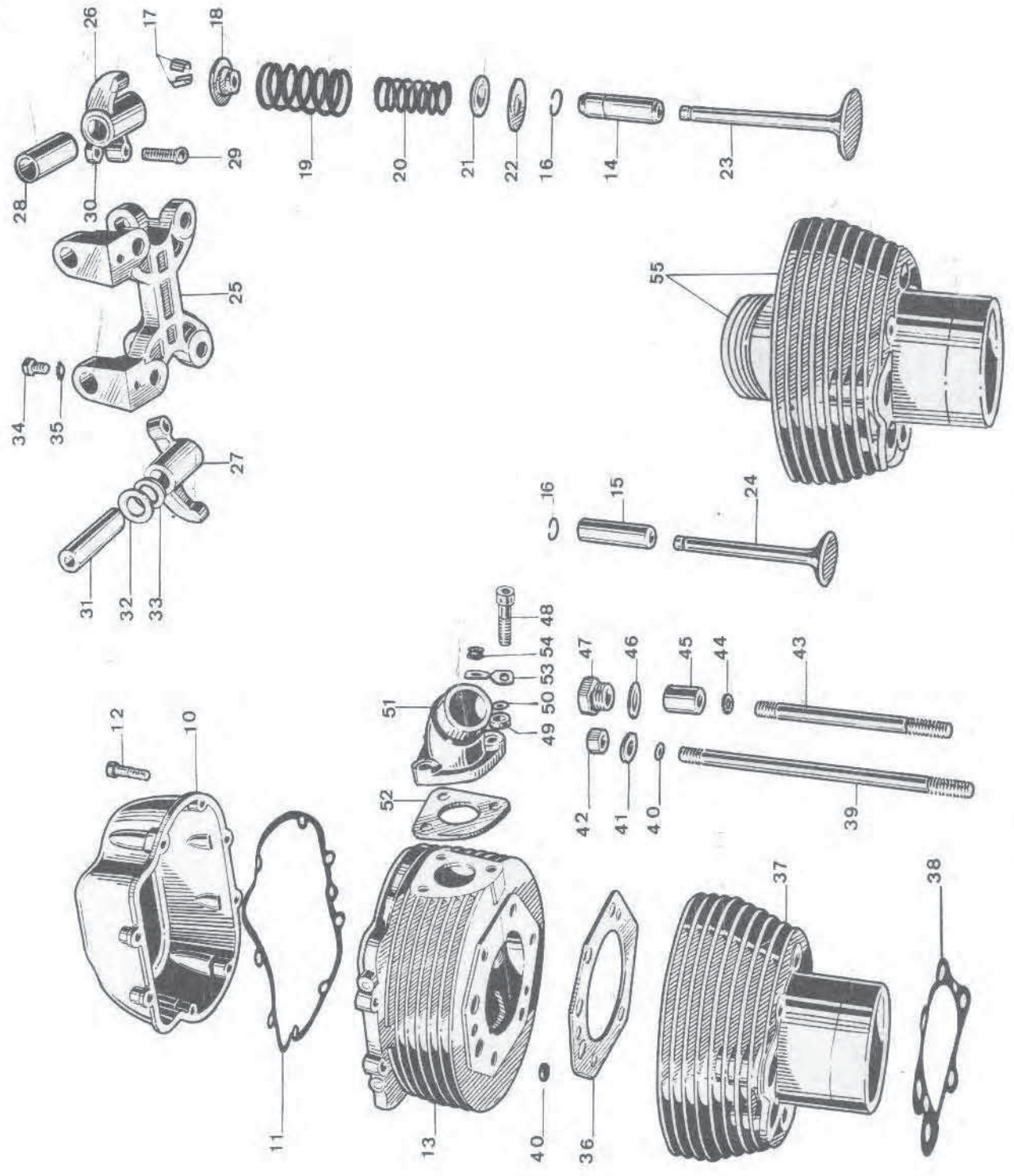


**PLATE 1 MODEL: V 850 Eldorado
Engine**

**GROUP: Cylinder, cylinder head, Rocker box
Rocker assembly, valves**

Fig. N.	Order N.	DESCRIPTION	Q.ty	Notes
10	12 02 35 02	Cover, rocker box	2	
11	12 02 37 00	Gasket, rocker box	2	
12	98 62 03 30	Screw, rocker box cover	16	
13	13 02 21 60	Cylinder head, r/h	1	
14	13 02 22 60	Cylinder head, l/h	1	
15	13 03 68 00	Guide, inlet valve	2	
16	13 03 69 00	Guide, exhaust valve	2	
17	90 35 30 16	Circlip, valve guide	4	
18	12 03 81 00	Semicones, valves	8	
19	13 03 80 00	Top collar, valves	4	
20	13 03 74 00	Spring, outer, valves	4	
21	13 03 76 00	Spring, inner, valves	4	
22	13 03 70 00	Bottom collar	4	
23	13 03 72 00	Washer, bottom collar	4	
24	13 03 60 00	Inlet valve	2	
25	13 03 61 00	Exhaust valve	2	
26	12 03 48 00	Support, rocker arm	2	
27	12 03 02 00	Rocker arm, r/h, c/w bushings	2	
28	12 03 04 00	Rocker arm, l/h, c/w bushings	2	
29	91 11 15 11	Bushing, rocker arm	4	
30	92 60 25 08	Screw, tappet adjusting	4	
31	12 03 40 01	Nut, tappet screw	4	
32	12 03 18 00	Spindle, rocker arm	4	
33	90 11 81 52	Washer, rocker arm	4	
34	94 32 22 15	Spring, rocker arm	4	
35	98 02 43 12	Bolt, rocker spindle	4	
36	95 12 00 65	Washer, rocker spindle bolt	4	
37	13 02 20 01	Gasket, cylinder head	2	
38	13 02 02 00	Cylinder	2	
39	12 02 17 00	Gasket, cylinder base	2	
40	90 70 60 90	Bolt, long, cylinder head	2	
41	14 01 84 00	Seal, cylinder head bolts	12	
42	92 75 11 03	Washer, cylinder head bolts	10	
43	12 02 18 00	Nut, cylinder head bolts	10	
44	95 12 91 80	Bolt, short, cylinder head	4	
45	13 02 19 00	Washer, hold down stud nut	2	
46	95 10 07 09	Nut, short bolt, pushrod side	2	
47	95 98 01 20	Washer, plug	2	
48	98 62 04 35	Plug, cylinder head	2	
49	90 71 60 82	Screw, intake pipe to cylinder head	6	
50	95 10 02 23	Washer, insulating, intake screw	6	
51	12 11 50 02	Washer, air intake tube	6	
52	12 11 50 03	Air intake tube, r/h	1	
53	12 11 55 03	Air intake tube, l/h	1	
54	14 11 54 00	Gasket, air intake, insulating	4	
55	91 55 10 81	Plate, inlet pipe	2	
	13 06 01 60	Rubber, washer	2	
		Cylinder and piston assembly	2	

TAVOLA 1



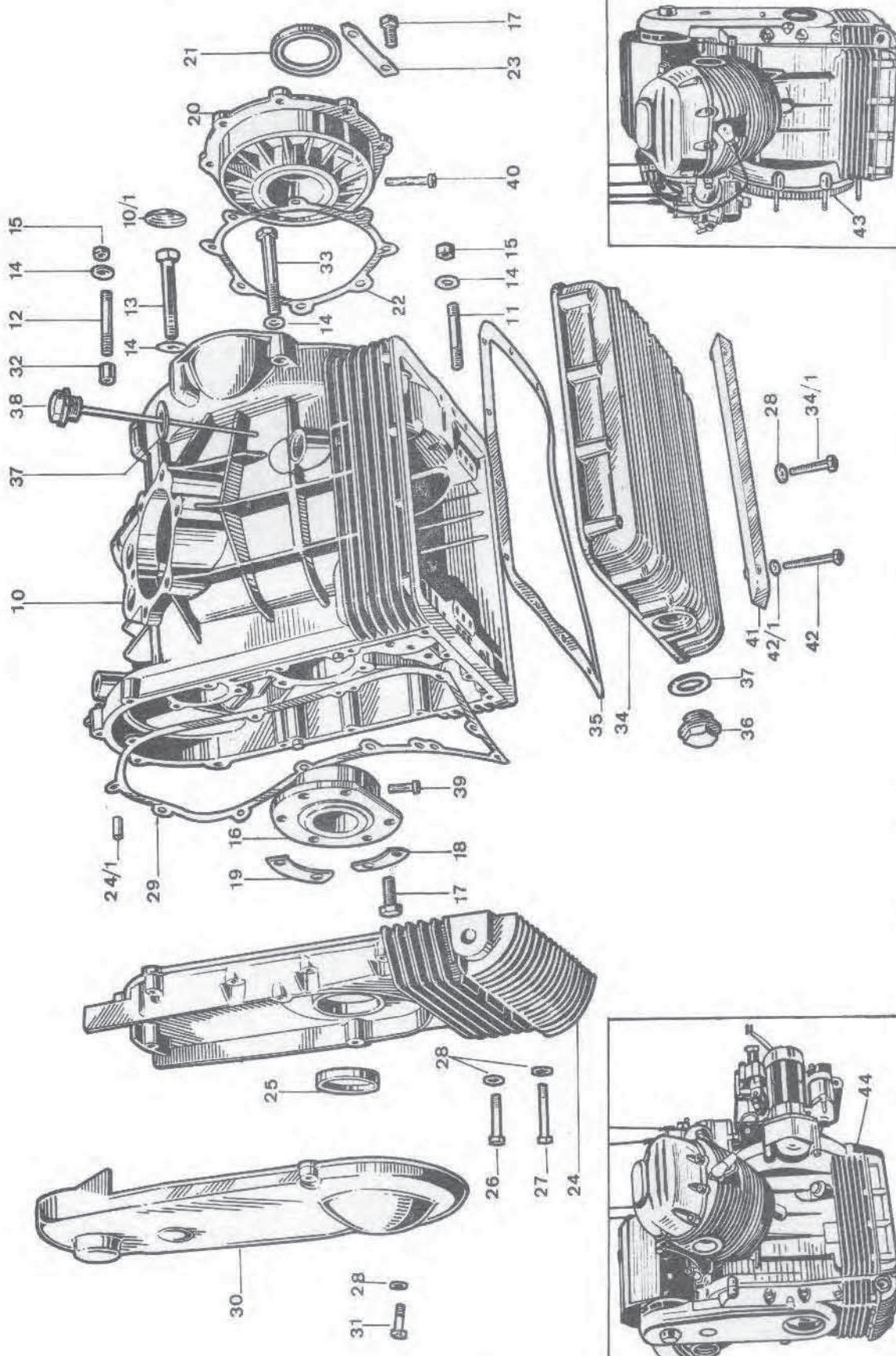


**PLATE 2 MODEL: V 850 Eldorado
Engine**

GROUP: Crankcase and covers

Fig. N.	Order N.	DESCRIPTION	Q.ty	Notes
10	13 00 07 01	Crankcase	1	
10/1	12 00 39 00	Plate, camshaft hole closing	1	
11	96 50 80 66	Bolt, short, gearbox fixing	4	
12	96 50 80 75	Bolt, medium, gearbox fixing	2	
13	98 05 24 80	Bolt, long, gearbox fixing	1	
14	95 10 12 31	Washer, gearbox and starter motor fixing bolts	8	
15	92 60 22 08	Nut, gearbox fixing bolts	7	
16	12 01 19 00	Flange, c/w journal bearings, timing side	1	
	12 01 19 01	Flange, c/w journal bearings, timing side (u/s. 0078")		
	12 01 19 02	Flange, c/w journal bearings, timing side (u/s. 015")		
	12 01 19 03	Flange, c/w journal bearings, timing side (u/s. 023")		
17	12 01 19 04	Flange, c/w journal bearings, timing side (u/s. 031")	14	
	98 05 44 25	Bolt, flange to crankcase and timing cover		
18	12 01 21 00	Lock plate, flange to timing cover nuts	2	
19	12 01 29 00	Lock plate, flange securing nut	1	
20	12 01 14 00	Flange, c/w main bearing, flywheel side	1	
	12 01 14 01	Flange, c/w main bearing, flywheel side (u/s. 0078")		
	12 01 14 02	Flange, c/w main bearing, flywheel side (u/s. 015")		
	12 01 14 03	Flange, c/w main bearing, flywheel side (u/s. 023")		
21	12 01 14 04	Flange, c/w main bearing, flywheel side (u/s. 031")	1	Angus 53.68.10
22	90 40 53 69	Seal on crankshaft, flywheel side	1	
23	12 01 18 00	Gasket, flange, flywheel side	1	
24	12 01 28 00	Lock plate, flywheel side bolt	4	
24	12 00 14 00	Timing cover	1	
24/1	95 51 20 81	Locating pin, on timing side crankcase	2	
25	90 40 38 51	Seal, timing cover	1	
26	98 02 23 28	Screw, short, timing cover	10	
27	98 05 23 45	Screw, long timing cover	12	
28	95 10 01 30	Washer, timing cover screws, generator belt cover and oil sump	37	
29	12 00 12 00	Gasket, timing cover	1	
30	12 00 16 00	Cover, belt	1	
31	98 10 60 21	Screw, belt cover	3	
32	12 01 89 00	Locating bush	2	
33	98 05 24 70	Bolt, starter motor securing	2	
34	12 00 35 00	Oil sump	1	
34/1	98 05 23 40	Screw, oil sump	8	
35	12 00 36 00	Gasket, oil sump	1	
36	12 00 37 01	Plug, oil drain	1	
37	90 71 41 95	Washer, oil drain and filler plug	2	
38	12 00 49 01	Plug, oil filler	1	
39	12 01 22 00	Pin, main bearing to timing side flange	1	
40	12 01 17 00	Pin, main bearing to flywheel side flange	1	
41	12 01 96 00	Guard plate, oil sump	3	
42	98 05 23 55	Screw, guard plate securing	6	
42/1	95 12 00 65	Spring washer, guard plate oil sump securing screw	1	
43	13 99 10 60	Engine, c/w clutch, without gearshift ass.y	1	
44	13 99 14 60	Engine, c/w clutch, with gearshift ass.y	1	

TAVOLA 2





**PLATE 3 MODEL: V 850 Eldorado
Engine**

**GROUP: Connecting rods - Crankshaft -
Piston - Timing gears**

Fig. N.	Order N.	DESCRIPTION	Qty	Notes
10	13 06 42 60	Crankshaft		
10/1	91 70 23 55	Key, timing gear and pulley	1	
11	12 06 54 00	Plug, crankshaft	2	
12	14 06 15 01	Con-rod c/w bushing, bolt, nuts, and lock-plates	1	
13	91 11 21 22	Bush, small end	2	
14	92 73 10 90	Nut, big end bolts	4	
15	14 06 22 01	Bolt, big end securing	4	
	12 06 20 00	Half bearing, big end standard size		
	12 06 20 01	Half bearing, u/s 0.254 mm. (.01")		
16	12 06 20 02	Half bearing, u/s 0.508 mm. (.02")	4	
	12 06 20 03	Half bearing, u/s 0.762 mm. (.03")		
	12 06 20 04	Half bearing, u/s 1.016 mm. (.04")		
17	13 06 04 60	Piston, bare		
17/1	13 06 02 60	Piston, c/w rings, pin and circlip	2	
18	13 06 07 00	Piston ring, compression, top	2	
19	13 06 08 00	Piston ring, compression, center	2	
20	13 06 09 00	Oil scraper	2	
20/1	13 06 09 00	Piston ring set	2	
21	13 06 12 60	Piston pin	2	
22	90 35 10 37	Circlip	4	
23	13 07 17 00	Gear set, crankshaft, timing and oil pump gears	1	
24	90 70 62 50	Seal, crankshaft gear	1	
25	13 07 40 60	Pulley, generator	1	
26	98 05 43 16	Screw, pulley assembly	3	
27	95 02 11 06	Washer, flange to camshaft and pulley ass.y screw	6	
28	92 70 11 87	Nut, pulley securing screws	2	
29	95 10 06 76	Washer, pulley securing screw	2	
30	12 06 70 00	Flywheel	1	
31	12 06 76 00	Plate, flywheel bolts	3	
32	12 06 77 01	Bolt, flywheel securing	6	
33	12 06 79 00	Ring gear, starter motor	1	
34	95 12 00 85	Washer, ring gear to flywheel	8	
35	98 05 44 25	Bolt, ring gear to flywheel	8	
36	12 05 33 02	Camshaft		
37	12 07 40 00	Flange, camshaft	1	
38	98 10 60 21	Screw, flange to camshaft	1	
38/1	95 12 00 65	Spring washer, camshaft flange securing screws	3	
39	95 51 20 60	Pin, camshaft wheel	1	
	12 04 58 00	Tappet, standard size		
	12 04 58 01	Tappet, o/s 0.05 mm. (.0019")		
40	12 04 58 02	Tappet, o/s 0.10 mm. (.0039")	4	
41	12 04 50 01	Push rod, complete	4	

TAVOLA 3

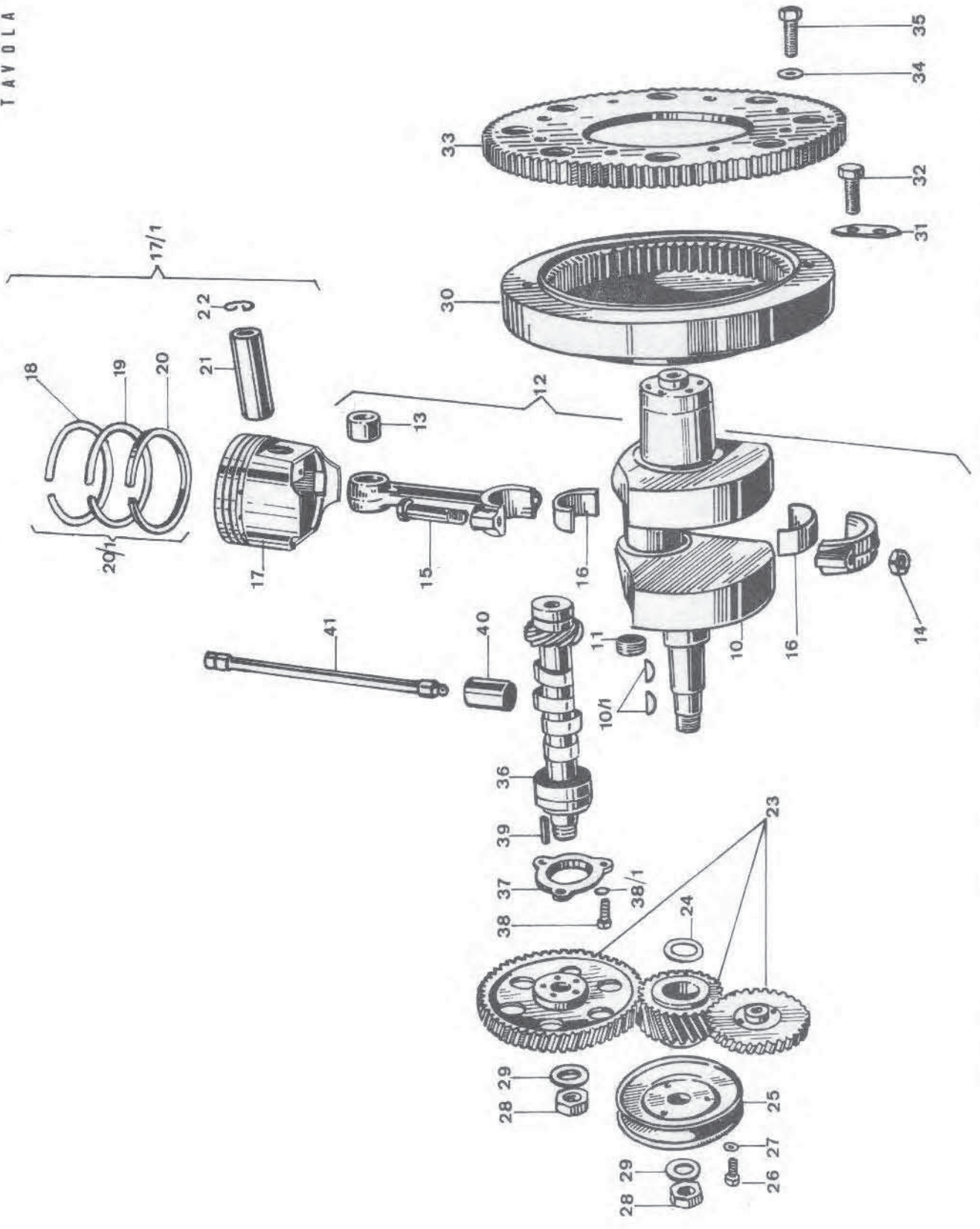




PLATE 4 MODEL: V 850 Eldorado

GROUP: Oil pump - Oil lines - Filter
Breather unit - Oil pressure solenoid

Fig. N.	Order N.	DESCRIPTION	Qty	Notes
10	12 00 72 00	Breather tube	1	
11	12 00 76 00	Washer, breather tube	1	
12	98 10 60 15	Screw, breather tube and return pipe band	3	
13	95 12 00 65	Washer, breather tube and band securing screws	3	
14	12 00 62 00	Tube, oil return from breather box	1	
15	12 00 65 00	Band, oil return tube	1	
16	12 00 66 00	Hollow bolt, return pipe securing	1	
17	12 00 64 00	Washer, pipe and oil pressure solenoid screws	3	
18	12 15 84 00	Oil pipe	1	
19	12 15 91 00	Washer, oil pipe	2	
20	98 05 44 30	Bolt, oil pipe securing	2	
21	12 15 92 00	Lock plate, oil pipe screws	2	
22	12 15 90 00	Plug, oil relief valve	1	
23	95 10 05 07	Washer, oil relief valve plug	1	
24	12 15 07 00	Bottom plate	1	
25	94 32 10 72	Spring	1	
26	12 15 09 00	Plunger, oil relief valve	1	
27	13 14 62 01	Oil pump complete	1	
28	12 14 78 00	Spindle, gear driving	1	
29	12 14 85 00	Gear, driven	1	
30	13 14 77 00	Gear, driving	1	
31	91 70 12 32	Key, oil pump driving gear	1	
32	95 12 11 85	Washer, driving gear nut	1	
33	92 70 10 86	Nut, driving gear nut	1	
34	98 10 80 42	Screw, short, oil pump securing	2	
35	98 05 24 55	Screw, long, oil pump securing	2	
36	12 14 98 00	Lock plate, pump securing screws	2	
37	12 15 22 00	Oil cleaner, complete	1	
38	12 15 30 00	Gauze, oil filter	1	
39	12 15 26 00	Bottom plate	1	
40	98 02 43 10	Bolt, plate securing	2	
40/1	95 02 11 06	Washer, bottom plate securing screw	2	
41	12 15 75 01	Line, flexible, return pipe	1	
42	12 10 84 00	Band, recovery pipe to flexible line	2	
43	12 15 32 00	Washer	1	
44	95 12 11 85	Washer, spring, filter screw	1	
45	98 02 04 35	Screw, filter securing	1	
46	12 15 42 00	Washer, lines to head securing screws	6	
47	95 99 00 37	Screw, oil lines to heads securing screws	3	
48	12 15 36 00	Oil line to cylinder heads	1	
49	12 76 87 00	Oil pressure solenoid	1	
50	95 98 51 36	Tube, oil breather	1	
51	12 15 57 01	Box, oil breather	1	
52	12 15 74 01	Central tube, flexible, oil breather	1	
53	12 15 78 00	Band, oil breather tube securing	2	
54	12 42 45 00	Bracket, breather tube	1	

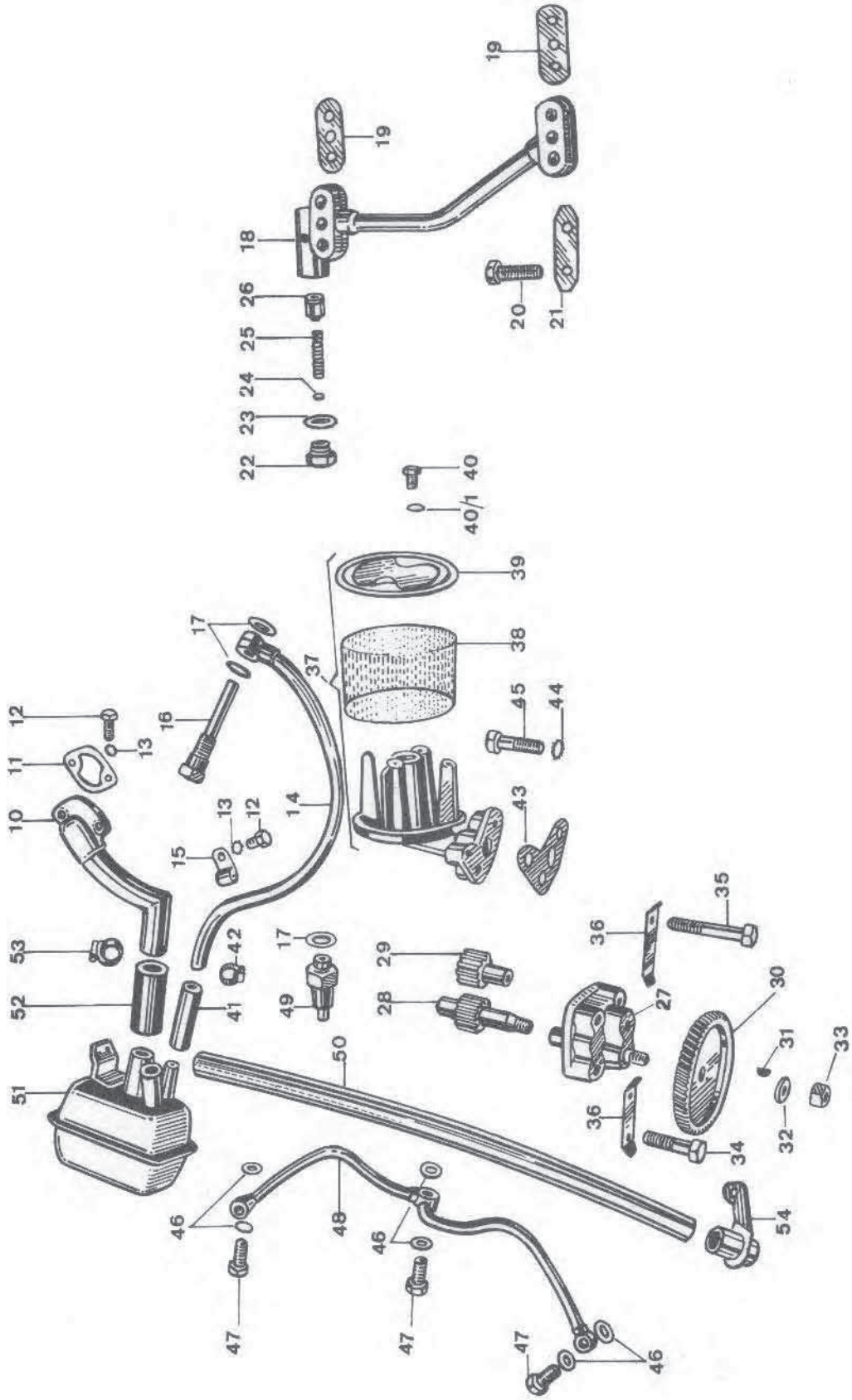


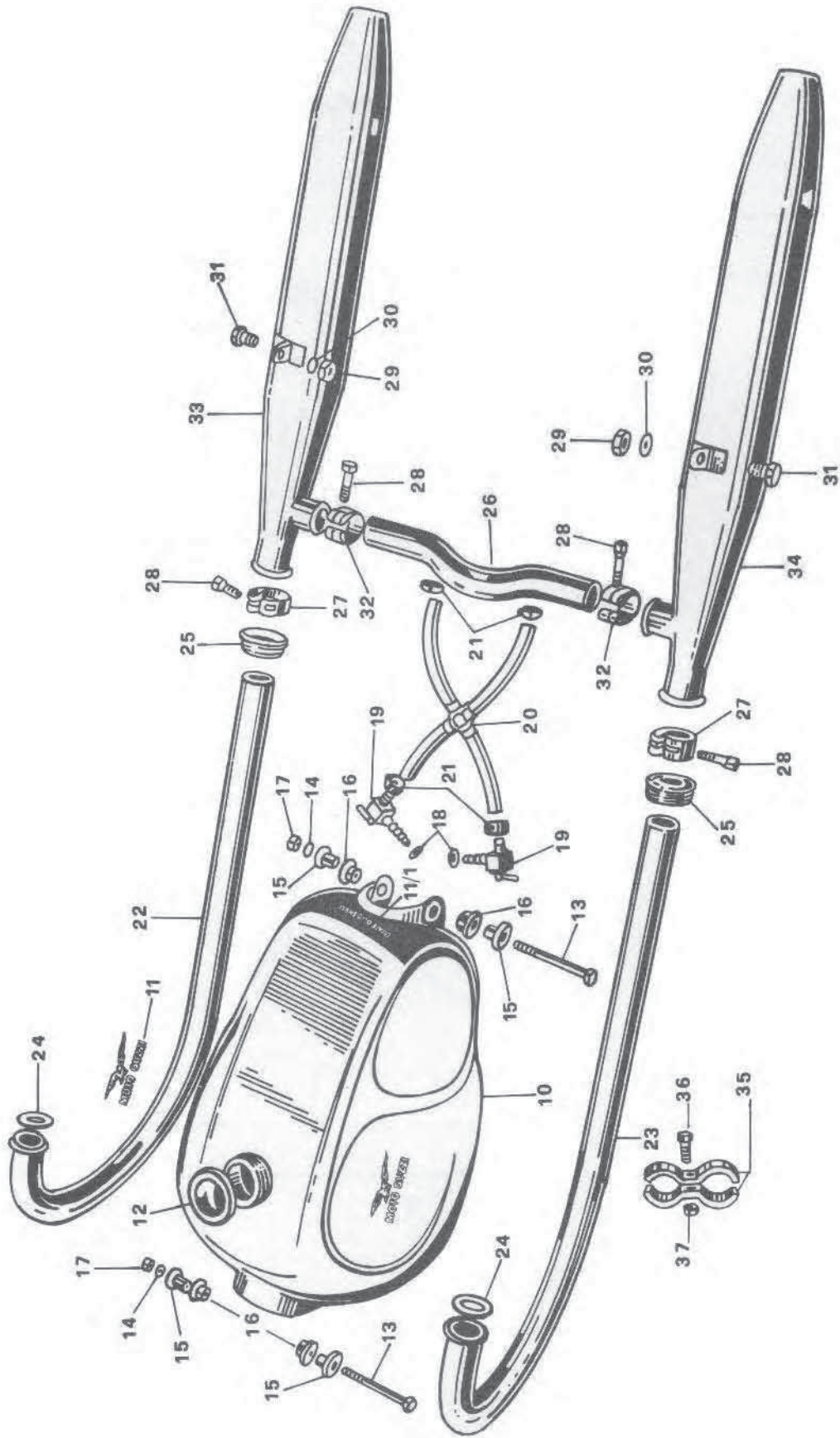


PLATE 5 MODEL: V 850 Eldorado Engine

GROUP: Fuel tank - Exhaust pipes Mufflers

Fig. N.	Order N.	DESCRIPTION	Q.TY	Notes
10	13 10 02 21	Fuel tank c/w decals	1	
11	55 91 94 25	Decal R/H « Moto Guzzi »	1	
11/1	55 91 95 25	Decal L/H « Moto Guzzi »	1	
12	12 91 92 00	Decal « Use Shell Oil »	1	
13	12 10 39 00	Filler cap, fuel tank	2	
14	98 05 24 99	Screw, tank securing	2	
15	95 10 12 31	Washer, tank securing screw	2	
16	12 10 35 00	Washer, tank securing screw	4	
17	55 10 34 25	Bushing, rubber block	4	
18	92 60 22 08	Rubber block	4	
19	90 71 41 23	Nut, tank securing screw	2	
19	12 10 54 01	Washer, tap	2	
19	12 10 54 02	Tap, fuel tank R/H - SETTI	1	
19	13 10 54 60	Tap, fuel tank R/H - ORLANDI	1	
19	13 10 54 61	Tap, fuel tank L/H - ORLANDI	1	
20	13 10 54 61	Tap, fuel tank L/H - SETTI	1	
21	12 10 65 01	Fuel line, complete	1	
22	12 10 84 00	Band, fuel line	4	
23	12 12 09 00	Exhaust pipe, R/H	1	
24	12 12 09 05	Exhaust pipe, L/H	1	
25	90 71 83 75	Gasket, exhaust pipe	2	
26	12 12 02 00	Lock-nut, exhaust pipe	2	
27	13 12 39 00	Tube, exhaust pipe connection	1	
28	13 12 34 60	Band, exhaust pipe to muffler	2	
29	99 10 50 80	Screw, exhaust pipe to muffler	4	
30	92 60 22 10	Nut, muffler screws	2	
31	95 02 11 10	Washer, muffler screws	2	
32	98 05 45 22	Screw, muffler securing	2	
33	55 12 70 25	Band, connecting tube	2	
34	12 12 30 20	Muffler, R/H	1	
35	12 12 29 20	Muffler, L/H	1	
36	12 12 25 01	Bracket, exhaust pipe	2	
37	98 05 44 30	Screw, exhaust pipe band securing	2	
37	92 63 01 08	Nut, exhaust pipe band screw	2	

TAVOLA 5



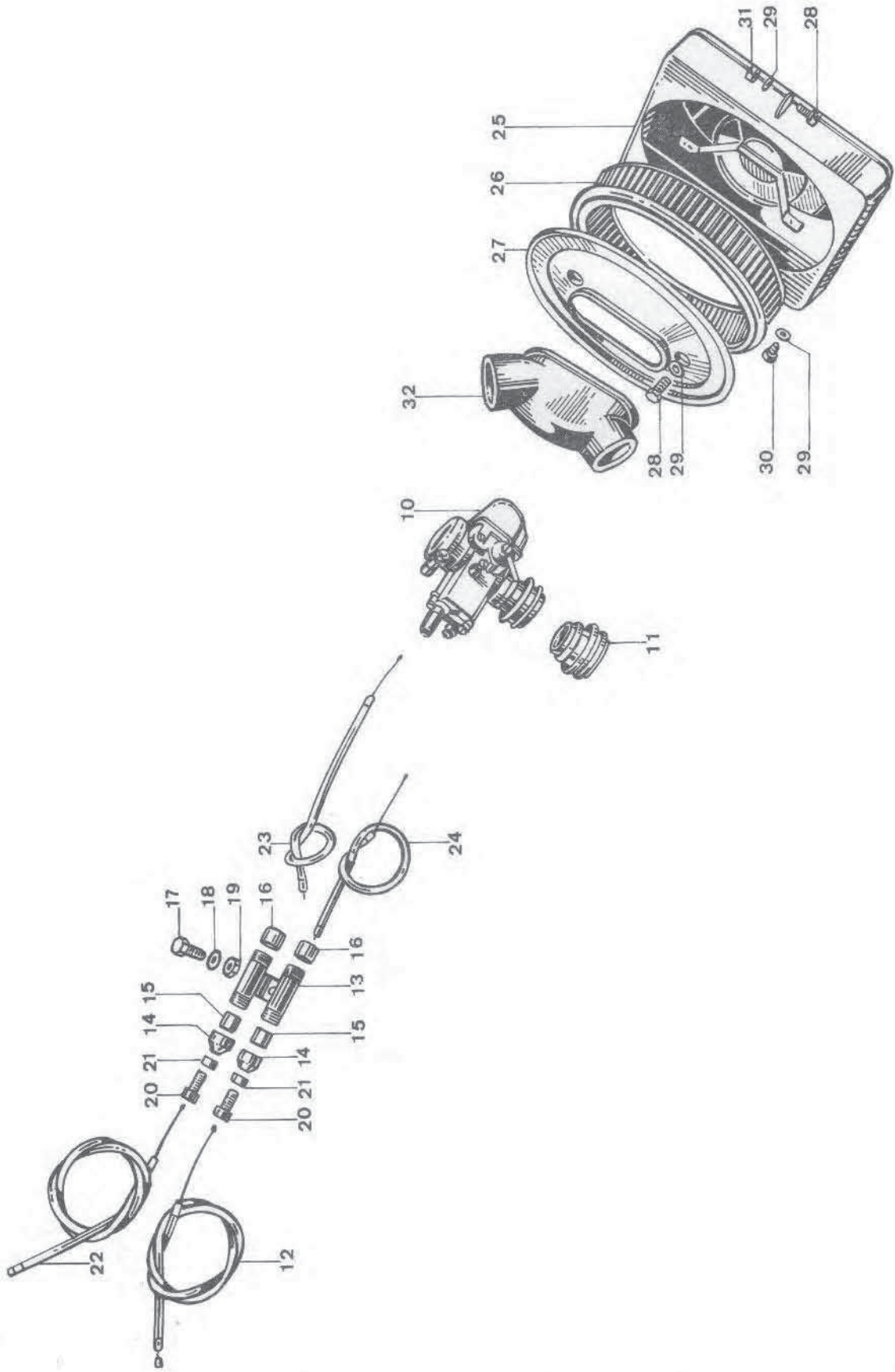


**PLATE 6 MODEL: V 850 Eldorado
Engine**

**GROUP: Carburetor - Control cables
air cleaner**

Fig. N.	Order N.	DESCRIPTION	Qty	Notes
10	13 11 26 02	Carburetor, r/h (Dell'Orto VHB 29 CD)	1	3512 Dell'Orto
11	13 11 26 03	Carburetor, l/h (Dell'Orto VHB 29 CS)	1	3511 Dell'Orto
12	12 11 44 01	Air intake tube	2	
13	12 60 75 00	Throttle cable, handlebar to adaptor	1	
14	12 60 79 00	Adaptor, two-ways	1	
15	12 80 71 00	Cover, adaptor, near end	2	
16	12 80 70 00	Plunger, adaptor	2	
17	12 80 72 00	Cover, adaptor, far end	2	
18	98 10 80 15	Screw, adaptor securing	1	
19	95 10 12 31	Washer, adaptor screw	1	
20	92 60 22 08	Nut, adaptor screw	1	
21	95 79 02 33	Thumb screw, air and throttle cable	2	
22	92 70 00 71	Lock-nut, cable adjusting screw	2	
23	12 60 83 00	Cable, air, handlebar to adaptor	1	
24	12 11 70 01	Cable, air, carburetor to adaptor	2	
25	12 11 75 01	Cable throttle, carburetor to adaptor	2	
26	12 11 32 00	Filter box	1	Retex LI-2604 (FISPA)
27	12 11 36 00	Element, filter	1	
28	12 11 34 01	Cover, filter box	1	
29	98 05 43 12	Screw, filter box cover	3	
30	95 02 11 06	Washer, filter box cover screw	5	
31	98 05 43 16	Screw, bottom box securing	2	
32	92 60 22 06	Nut, top box securing	1	
	12 11 43 01	Rubber sleeve	1	

TAVOLA 6



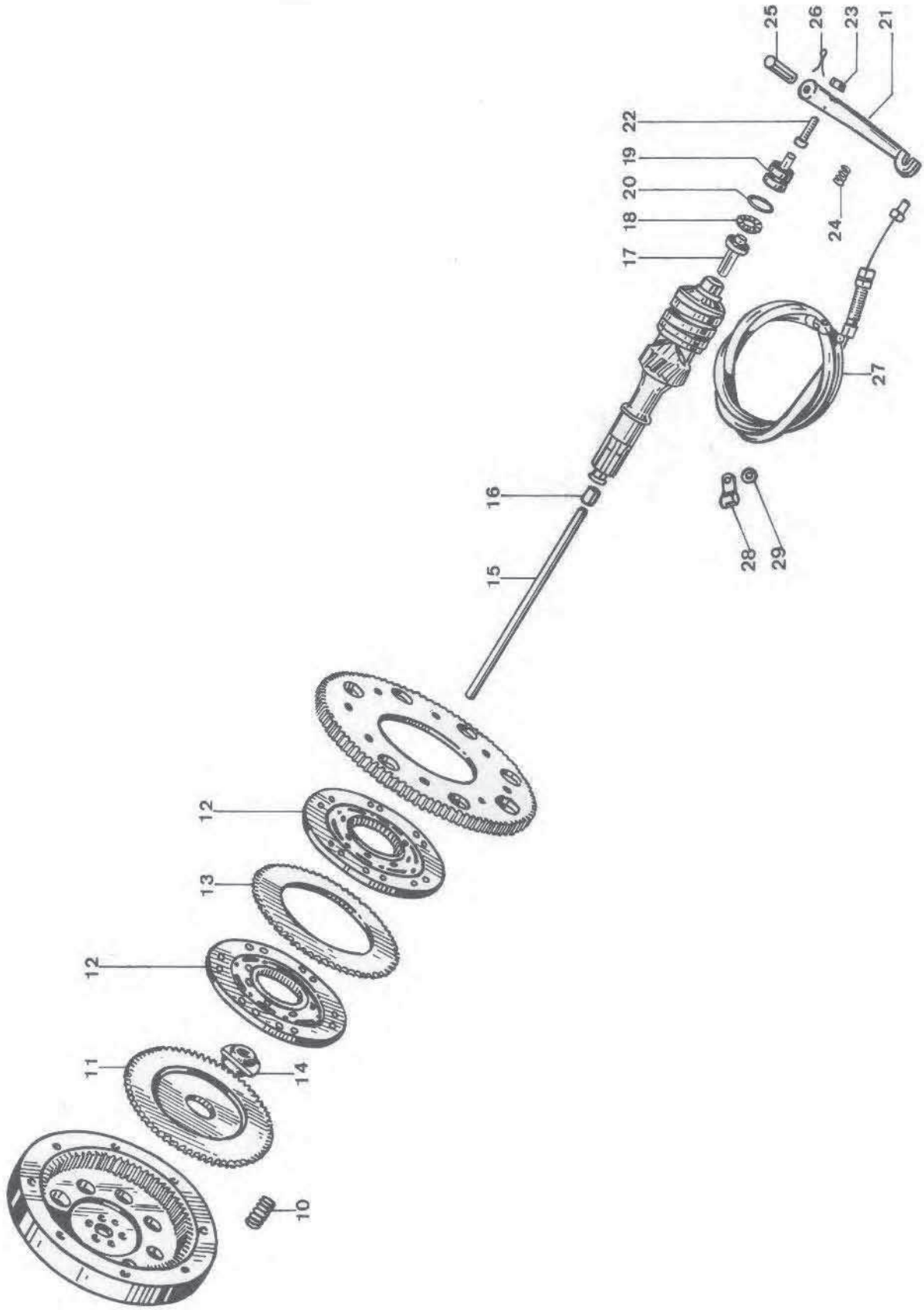


**PLATE 7 MODEL: V 850 Eldorado
Primary drive**

GROUP: Clutch and controls

Fig. N.	Order N.	DESCRIPTION	Q.ty	Notes
10	13 08 41 00	Spring, clutch	8	
11	12 08 29 00	Pressure plate, clutch	1	
12	12 08 44 00	Clutch plate, complete	2	
13	12 08 23 00	Intermediate plate, clutch	1	
14	12 08 28 00	Washer, clutch plate	1	
15	14 08 57 00	Rod, clutch pressure plate	1	
16	12 08 59 01	Tube, rubber	1	
17	14 08 60 00	Inner body	1	
18	12 08 70 01	Cage, complete	1	{ Nadella AX 1022 { PL or Durkopp 28-42
19	14 08 61 00	Outer body	1	
20	90 70 61 70	Seal	1	
21	14 09 02 01	Lever, clutch operating on gearbox	1	
22	14 09 04 00	Screw, adjusting	1	
23	92 60 25 08	Nut, lever adjusting screw	1	
24	94 32 11 05	Spring, clutch lever return	1	
25	95 78 02 71	Pin, clutch lever to gearbox	1	
26	95 50 02 22	Split pin, lever pin securing	1	
27	13 09 30 61	Cable, clutch	1	
28	12 00 65 00	Clamp, cable	1	
29	95 10 01 37	Washer, cable clamp	1	

TAVOLA 7



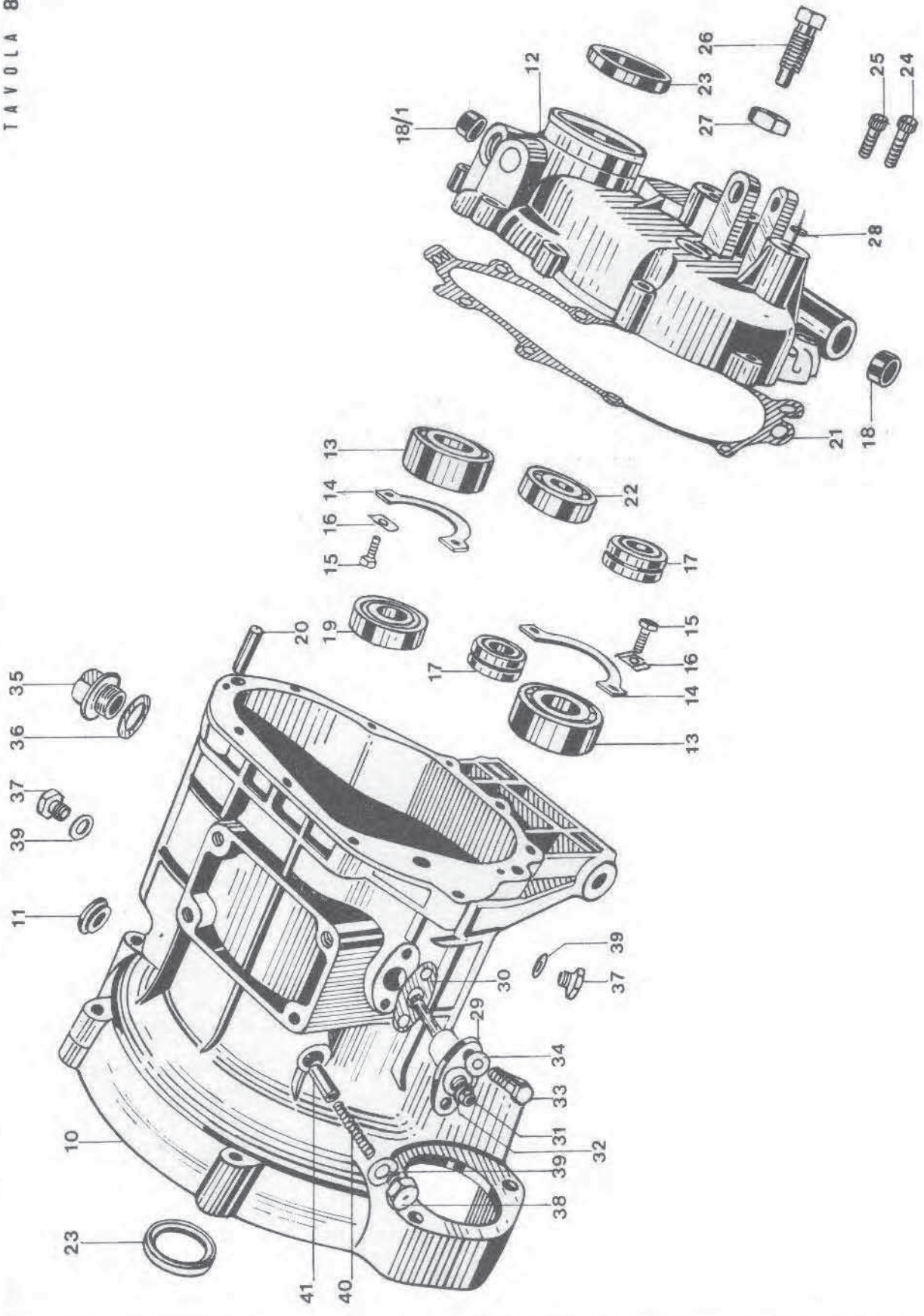


**PLATE 8 MODEL: V 850 Eldorado
Primary drive**

GROUP: Gearbox and cover

Fig. N.	Order N.	DESCRIPTION	Qty	Notes
10	14 20 02 10	Gearbox	1	
11	93 18 02 20	Rubber seal on gearbox	1	
12	13 20 08 60	Cover, gearbox	1	
13	92 21 84 24	Bearing, in gearbox for clutch shaft and on cover for layshaft	2	25x52x20,6 (RIV 3205)
14	14 21 38 02	Semicollar, bearing retainer in box and cover	2	
15	98 05 43 16	Screw, bearing retainer	4	
16	14 21 79 00	Lock plate, gearbox and cover screws	4	17x35x15 Dükopp 10-2762
17	92 25 62 18	Bearing in gearbox for main shaft and in cover for clutch shaft	2	
18	12 20 09 00	Bushing in cover	1	
18/1	45 33 68 02	Rubber, hole sealing	1	
19	92 23 41 17	Roller bearing in gearbox for layshaft	1	
20	95 51 20 81	Locating pin in gearbox	1	17x47x14 (RIV FN 303)
21	14 20 11 10	Gasket, gearbox-cover	2	
22	92 20 14 17	Ball bearing in cover for main shaft	1	
23	90 40 35 47	Seal in cover for layshaft and in box for clutch shaft	1	17x17x14 (RIV 6303)
24	98 62 03 35	Screw, long, cover securing	2	Angus 35x17x7
25	98 62 03 25	Screw, short, cover to box	1	M6x35 Allen
26	14 23 78 00	Eccentric screw, selector adjusting	10	M6x25 Allen
27	92 60 25 12	Nut, selector adjusting screw	1	
28	90 70 61 40	Seal ring on cover	1	OR 3056
29	12 20 72 00	Contact holder, complete	1	
30	12 20 77 00	Gasket, contact holder	1	
31	92 60 82 05	Nut, contact holder securing	2	
32	95 10 00 56	Washer, contact holder nut	2	
33	98 05 43 16	Screw, contact holder securing to box	2	
34	95 00 02 06	Washer, contact holder screw	2	
35	12 00 37 01	Oil filler plug	1	
36	90 71 41 95	Washer, oil filler plug	1	
37	95 98 02 10	Plug, level and drain	2	
38	12 23 53 00	Plug, oil breather	1	
39	90 71 41 01	Gasket, level, drain and breather plug	3	
40	94 32 10 67	Spring, selector drum pawl	1	
41	55 23 47 00	Pawl, selector drum	1	

TAVOLA 8



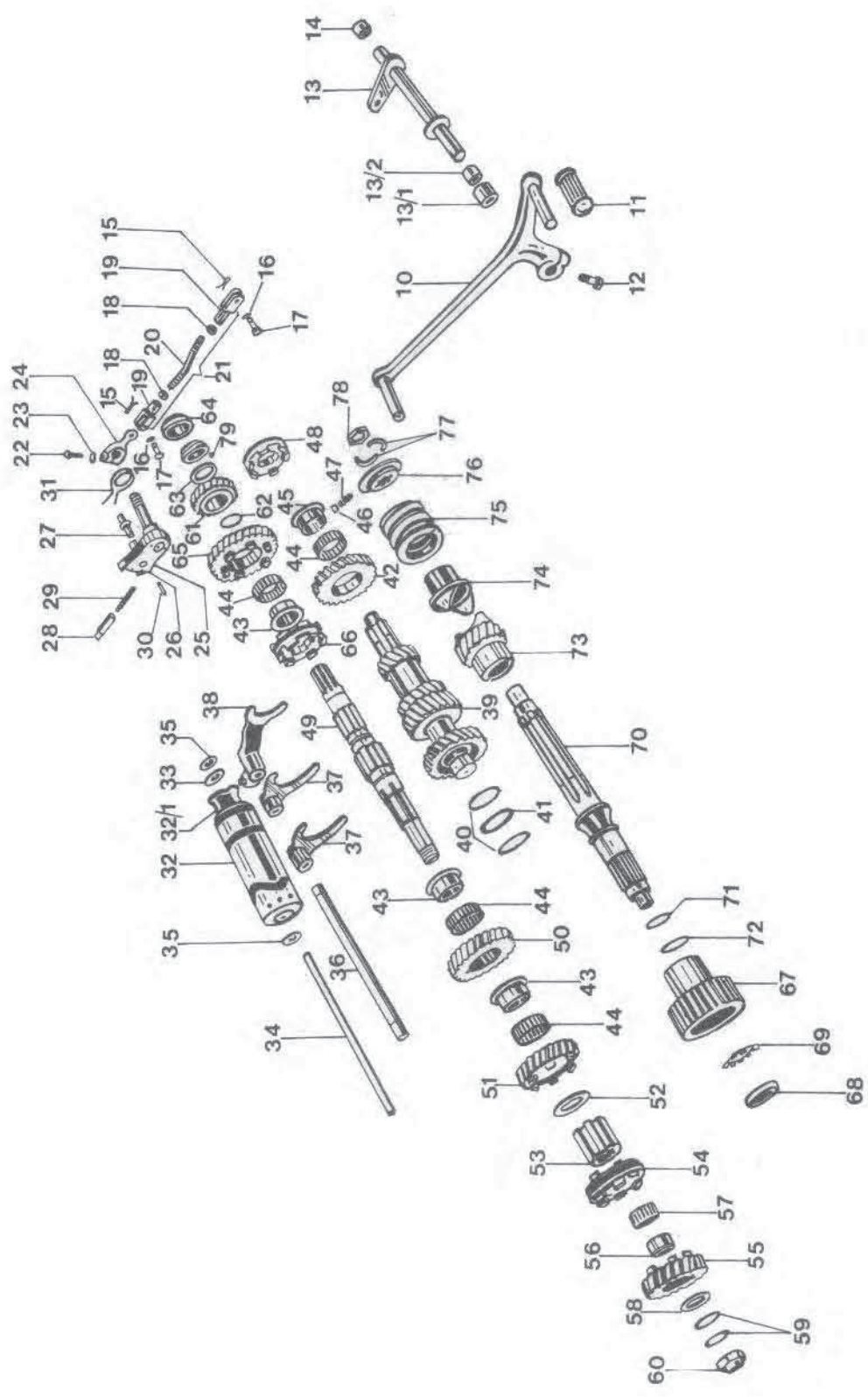


**PLATE 9 MODEL: V 850 Eldorado
Primary drive**

**GROUP: Gearbox - gears and shafts
Controls**

Fig. N.	Order N.	DESCRIPTION	Qty	Notes
10	12 25 09 06	Pedal, gearshift	1	
11	55 25 10 00	Rubber, gearshift pedal	2	
12	98 05 44 25	Screw, gearshift pedal securing	1	8x25 UNI 5739-65 8G-Zinc plated
13	13 25 11 65	Shaft with gearshift pedal	1	
13/1	12 44 21 05	Guide bush, gearshift pedal shaft	1	
13/2	12 44 19 05	Internal bush in guide bush	1	
14	13 25 07 60	Shim	1	
15	95 50 02 22	Split pin, gearshift operating rod	2	
16	95 12 91 10	Washer, gearshift rod pins	2	
17	95 78 02 65	Pin, gearshift operating rod	2	
18	92 70 00 73	Nut, adjusting, gearshift rod	1	
19	95 74 01 71	Fork, gearshift rod	2	
20	13 25 79 60	Gearshift operating tie rod	1	
21	13 25 78 60	Rod, gearshift operating c/w forks and nuts	1	
22	98 05 23 25	Screw, lever securing to cover	1	
23	95 02 11 06	Spring washer, lever securing screw	1	
24	13 25 82 60	Quadrant	1	
25	14 23 62 01	Preselector, complete	1	
26		Body, preselector	1	{ Not available as spare part
27	14 23 66 00	Stop pin, preselector	1	
28	10 23 79 00	Pawl, preselector	2	
29	10 23 83 00	Spring, pawl	2	
30	95 52 03 14	Flexible pin, pawl securing	2	
31	14 23 82 00	Return spring, preselector	1	
32	14 23 44 00	Drum, splined, gear selection	1	
32/1	14 23 46 00	Dowel, gear selection drum	4	
33	14 23 55 00	Washer, dowels	4	
34	14 23 43 00	Rod, selector drum	1	
	55 23 50 00	Shim, 0.6 mm. (.023")	1	
	55 23 50 01	Shim, 0.8 mm. (.031")	1	
	55 23 50 02	Shim, 1. mm. (.039")	1	
	55 23 50 03	Shim, 1.2 mm. (.047")	1	
36	14 23 24 00	Rod, striker forks	1	
37	14 23 05 01	Striker fork, 1st, 2nd, 3rd, and 4th gear	2	
38	14 23 12 01	Striker fork, high gear	1	
39	14 21 05 11	Main shaft	1	
	12 21 10 00	Shim, 2 mm. (.078"), main shaft, 4th speed gear side	1 + 1	Z = 23-21-18-14
	12 21 10 01	Shim, 2.1 mm. (.82"), main shaft, 4th speed gear side		
	12 21 10 02	Shim, 2.2 mm. (.86"), main shaft, 4th speed gear side	1	Z = 24
	12 21 10 04	Shim, 2.4 mm. (.94"), main shaft, 4th speed gear side		
41	90 11 82 47	Intermediate washer, main shaft, 4th gear	1	
42	14 21 20 10	High speed gear on main shaft	1	
43	14 21 30 00	Bushing, 1st, 2nd, 3rd speed gears on layshaft	3	

TAVOLA 9





**PLATE 9 MODEL: V 850 Eldorado
Primary drive**

**GROUP: Gearbox - gears and shafts
Controls**

Fig. N.	Order N.	DESCRIPTION	Q.ty	Notes
44	92 25 10 30	Cage, roller, 1st, 2nd, and 3rd gears on layshaft and high gear on main shaft	4	Durkopp K30-35-13F
45	14 21 22 10	Bushing, high speed gear	1	
46	92 29 67 50	Stop pin, high speed gear bushing	1	
47	94 32 10 51	Spring, load, stop pin	1	
48	14 23 15 10	Sliding sleeve, high speed gear engagement	1	
49	14 21 36 10	Layshaft	1	
50	14 21 45 10	Gear, 2nd speed, on layshaft	1	Z = 25
51	14 21 48 10	Gear, 3rd speed, on layshaft	1	Z = 22
52	14 21 80 10	Shim, 3rd speed gear	1	
53	14 23 25 10	Sleeve, fixed	1	
54	14 23 10 10	Sleeve, sliding, 3rd and 4th speed	1	
55	14 21 51 10	Gear, 4th speed	1	
56	92 25 90 17	Inner ring, roller cage, 4th speed gear	1	
57	92 25 10 22	Roller cage, 4th speed gear	1	
58	14 21 54 00	Shim, 4th speed gear	1	Durkopp IR77x22x13 Durkopp K22x26x13F
59	43 08 38 10	Shim	1	
60	14 21 74 10	Nut, on layshaft, 4th speed gear side	1	
61	14 21 52 10	High speed gear	2to4	
62	90 70 62 03	Retainer, high speed gear and clutch shaft	2	Z = 18 OR 3081
63	14 21 73 00	Shim	1	
64	14 21 93 10	Nut, layshaft securing	1	
65	14 21 42 10	Gear, first speed	1	Z = 28
66	14 23 07 10	Sleeve, sliding, 1st and 2nd speed	1	
67	14 08 18 10	Body, inner, clutch	1	
68	93 60 10 22	Lockring, inner clutch body	1	
69	95 02 80 22	Washer, inner clutch body lockring	1	
70	14 21 07 01	Shaft, clutch	1	
71	14 21 84 01	Oil thrower	1	
72	90 70 62 35	Seal, clutch shaft	1	
73	14 21 11 10	Counter gear	1	OR 2081 Z = 17
74	12 21 12 00	Sliding muff	1	
75	13 21 15 00	Spring, cush	1	
76	13 21 16 00	Cush spring plate	1	
77	12 21 17 00	Semi collar, cush spring plate retaining	2	
78	14 21 94 01	Spacer on clutch shaft	1	
79	92 29 57 02	Ball, counter gear fixing	1	

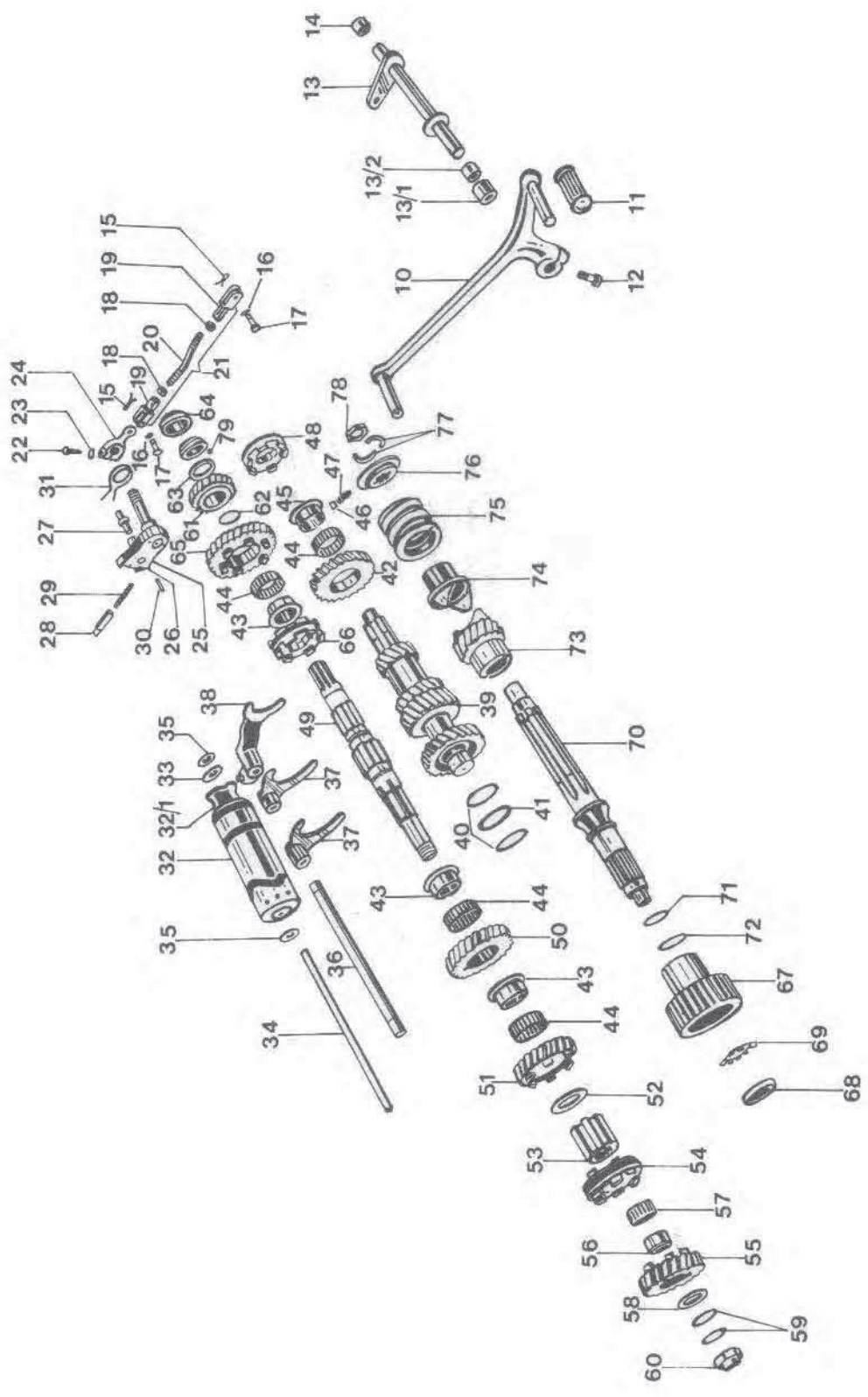




PLATE 10 MODEL

V 850 Eldorado
Rear wheel drive

GROUP: Rear fork - Rear drive box
Drive shaft - Bevel gears

Fig. N.	Order N.	DESCRIPTION	Q.ty	Notes
10	12 54 02 00	Rear fork	1	
11	98 06 25 35	Screw, rear fork clamp	1	10x35 cr. plated
12	95 00 52 10	Washer, clamp screw	1	Ros. 10,50 UNI 1736
13	12 54 78 00	Cap nut, rear fork to frame	2	
14	92 72 02 00	Nut, fork spindle	2	
15	12 54 72 00	Spacer	2	
16	12 54 70 00	Spindle, rear fork support	2	Angus 30x40x7
17	90 40 30 40	Seal, rear fork spindle	2	17x40x12 (RIV 01/02/5010)
18	92 24 92 16	Bearing, taper roller	4	
19	96 50 80 45	Bolt, drive box to swing arm	4	
20	95 12 00 85	Washer, drive box bolts	4	
21	92 60 50 08	Nut, drive box bolts	4	
22	12 35 02 01	Rear wheel drive, complete	1	M8 UNI 5587 zinc. plated
23	12 54 80 00	Gaiter, rubber	1	
24	12 54 82 01	Band, large, gaiter to drive box	1	
25	12 54 84 01	Band, small, gaiter to drive box	1	
26	12 32 80 00	Double joint, layshaft to drive shaft	1	
27	12 32 63 00	Drive shaft	1	
28	12 32 77 00	Sleeve, drive shaft and bevel drive	1	
29	90 27 10 20	Circlip, drive shaft and bevel gears	3	
30	90 27 20 58	Circlip	1	Seeger 20 e
31	92 20 42 28	Bearing, ball, rear fork	1	58 i
32	12 35 03 01	Rear Drive box	1	28x58x16 (RIV ALN 28)
33	12 00 37 01	Oil filler plug	1	
34	90 71 41 95	Gasket, oil filler plug	1	
35	95 98 06 10	Plug, oil level	1	
36	90 71 41 01	Washer, oil level	1	
37	12 35 15 01	Flat washer, bottom, rear drive box	1	
38	12 35 16 01	Gasket, bottom plate, rear drive box	1	
39	98 62 23 20	Screws, bottom plate securing	8	M6x20 UNI 5931-67
40	92 24 92 25	Bearing, taper roller, in drive box casing	2	8G zinc. plated
41	12 35 67 00	Nut, bevel gears securing	4	25x52x16,25 (RIV
42	12 35 24 00	Housing, bearing	1	01/02/7205)
43	12 35 26 00	Gasket, drive box to bearing housing	1	
44	90 70 64 90	Seal, rear drive box	1	
45	12 35 29 00	Gasket, bearing housing to rear fork	1	
46	12 35 51 00	Distance piece, bearings	1	
47	12 35 52 02	Shim, spacer to bearing	1 - 17	(0.1 mm. = .0039")
	12 35 52 03	Shim, bevel gears	6 - 14	(0.15 mm. = .0059")
	12 35 53 01	Spacer, bevel gears	1 - 2	(1 mm. = .039")
48	12 35 53 02	Spacer, bevel gears	1 - 2	(1.2 mm. = .047")
	12 35 53 03	Spacer, bevel gears	1 - 2	(1.5 mm. = .059")
49	12 35 46 00	Bevel gear set (pinion 8 teeth - crown 37 teeth)	1	

TAVOLA 10

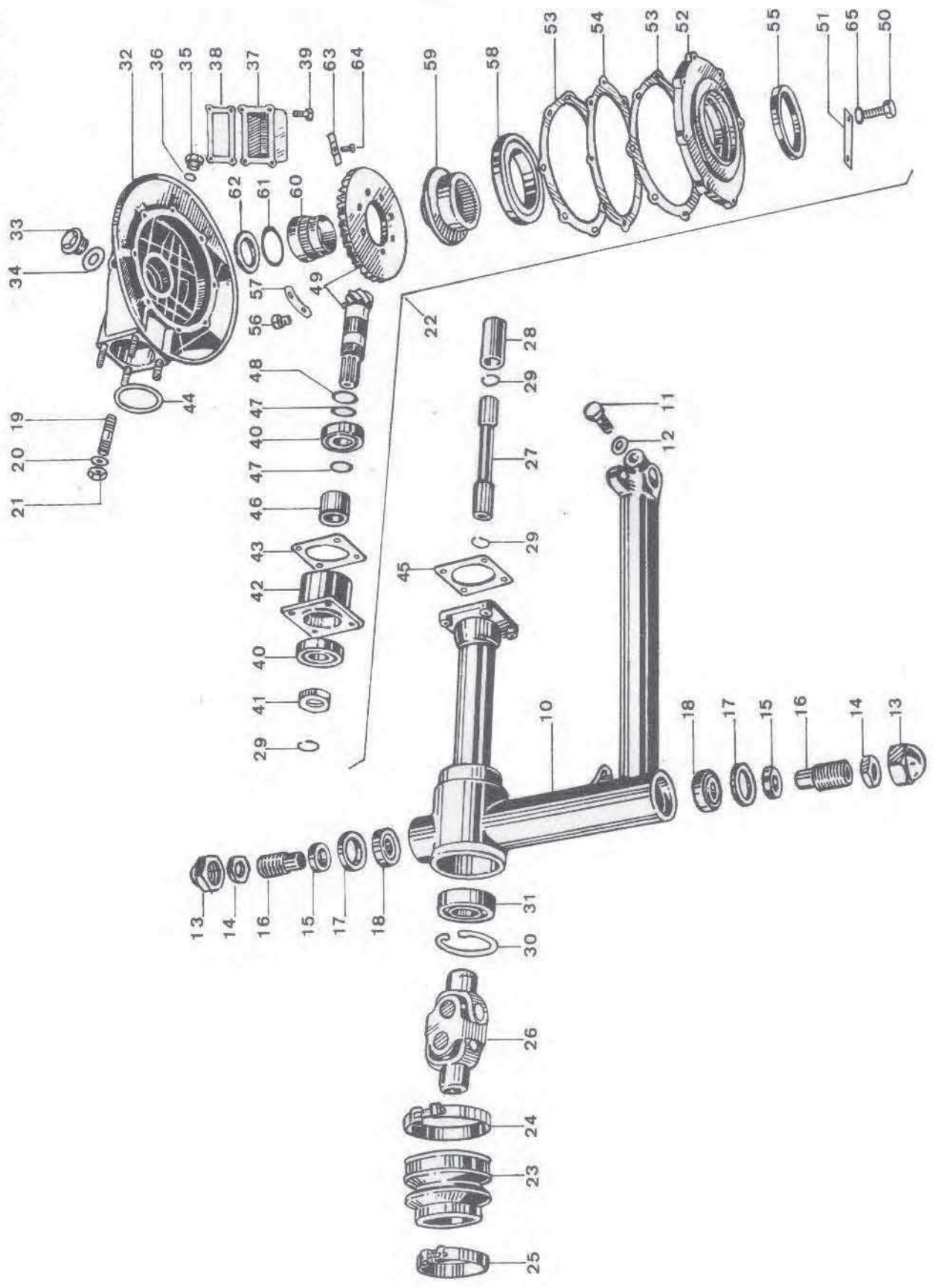




PLATE 10 MODEL: V 850 Eldorado
Rear wheel drive

GROUP: Rear fork - Rear drive box
Drive shaft - Bevel gears

Fig. N.	Order N.	DESCRIPTION	Qty	Notes
50	98 05 44 25	Bolt, flange to drive box	8	
51	95 18 70 08	Lock plate, flange fixing bolts	4	
52	12 35 04 00	Flange, drive box	1	
53	12 35 07 00	Gasket, flange to spacer and spacer to drive box	2	
	12 35 54 00	Shim	}	(0.8 mm. = .031")
	12 35 54 02	Shim		(0.9 mm. = .035")
	12 35 54 04	Shim		(1 mm. = .030")
54	12 35 54 06	Shim		(1.1 mm. = .043")
	12 35 54 08	Shim		(1.2 mm. = .047")
	12 35 54 10	Shim	(1.3 mm. = .051")	
55	90 40 70 85	Seal	1	Angus 70.85.8
56	12 35 63 00	Bolt, bevel gear to journal	8	
57	12 35 64 00	Lock plate, bevel gear bolts to journal bearing	4	70x110x13 (RIV ELL N. 70)
58	92 20 10 70	Bearing, ball	1	
59	12 35 14 00	Journal bearing	1	Durkopp NAF 40x55x17 C3
60	92 25 43 40	Bearing, roller	1	
61	12 35 11 00	Ring, cage retaining	1	Angus 38.50.7
62	90 40 38 50	Seal	1	
63	12 35 13 00	Plate, bearing retainer	1	
64	98 28 06 14	Screw, roller bearing retaining plate	1	Ros. 8, 4 UNI 1736
65	95 00 42 08	Washer, flange securing screw	8	zinc. plated

TAVOLA 10

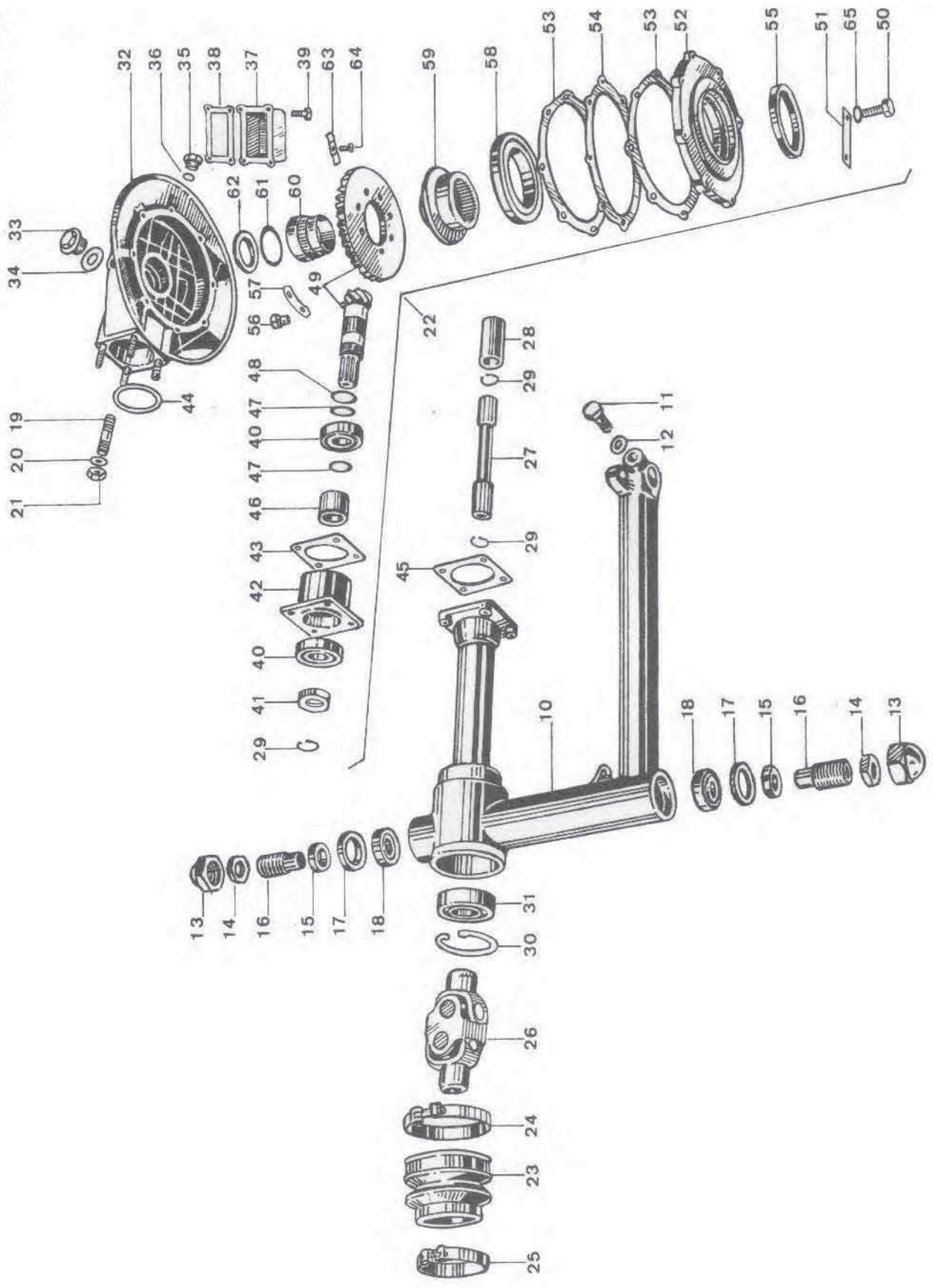




PLATE 11 MODEL: V 850 Eldorado
Frame

GROUP: Frame - Center stand - Side Stand
Footrests - Rear Fender

Fig. N.	Order N.	DESCRIPTION	Qty	Notes
10	13 40 01 25	Frame	1	
11	92 70 01 28	Nut, engine to frame bolt	2	
12	95 10 04 15	Washer, engine to frame bolt	2	
13	12 42 97 01	Spacer, front	2	
14	12 42 98 00	Spacer, rear	2	
15	12 42 96 00	Bolt, engine to frame securing	2	
16	91 18 09 49	Spacer, tank securing plate	1	
17	13 91 85 23	Plate, serial number	1	
18	92 85 07 52	Decal, rear fender	1	
19	45 91 85 70	Rivet, serial number plate securing	6	
20	12 78 22 00	Lock, antitheft	1	
21	13 41 82 60	Bracket, battery support	1	
22	98 05 44 12	Screw, safety guard to frame	2	
23	98 05 44 18	Screw, battery bracket securing	4	
24	95 10 12 31	Washer, battery bracket securing screw	4	
25	98 11 00 15	Screw, battery bracket to frame	2	
26	95 10 03 11	Washer, battery bracket screws to frame and side stand screws	5	
27	12 43 03 01	Center stand	1	
28	92 63 01 10	Nut, center and side stand securing bolts	3	
29	99 10 51 34	Bolt, center stand	2	
30	12 43 40 01	Spring, return, center and side stand	2	
31	12 43 30 00	Buffer, rubber, center and side stand	2	
32	12 43 20 00	Side stand	1	
33	12 43 28 00	Bolt, side stand	1	
34	92 60 22 08	Nut, spring retaining dowel	1	
35	95 10 02 25	Washer, spring dowel	1	
36	12 43 42 00	Dowel, spring	1	
37	95 00 42 15	Washer, inner, damper securing spindle	4	
38	12 44 02 00	Pivot arm, footrest	1	
39	12 44 13 05	Rubber, footrest	1	
40	12 44 32 00	Washer, damper unit	2	
41	95 10 03 37	Footrest, passenger	4	
42	55 44 23 00	Rubber, passenger footrest	2	
43	55 44 33 85	U-plate, footrest securing	2	
44	12 44 28 00	Screw, footrest securing	2	
45	98 05 23 25	Washer, tool box and rear fender screws	2	
46	95 10 01 30	Nut, footrests, tool box, and rear fender screws	16	
47	92 60 22 06	Screw, passenger footrest plate	10	
48	98 05 45 22	Washer, footrest plate and hand grip securing screws	2	
49	95 02 11 10	Plate, footrest	4	
50	12 41 64 00	Safety bar, R/H	2	
51	12 45 03 00	Safety bar, L/H	1	
52	12 45 04 00	Shock absorber unit	1	
53	13 55 02 40	Spring, shock absorbers	2	
54	12 53 23 01		2	

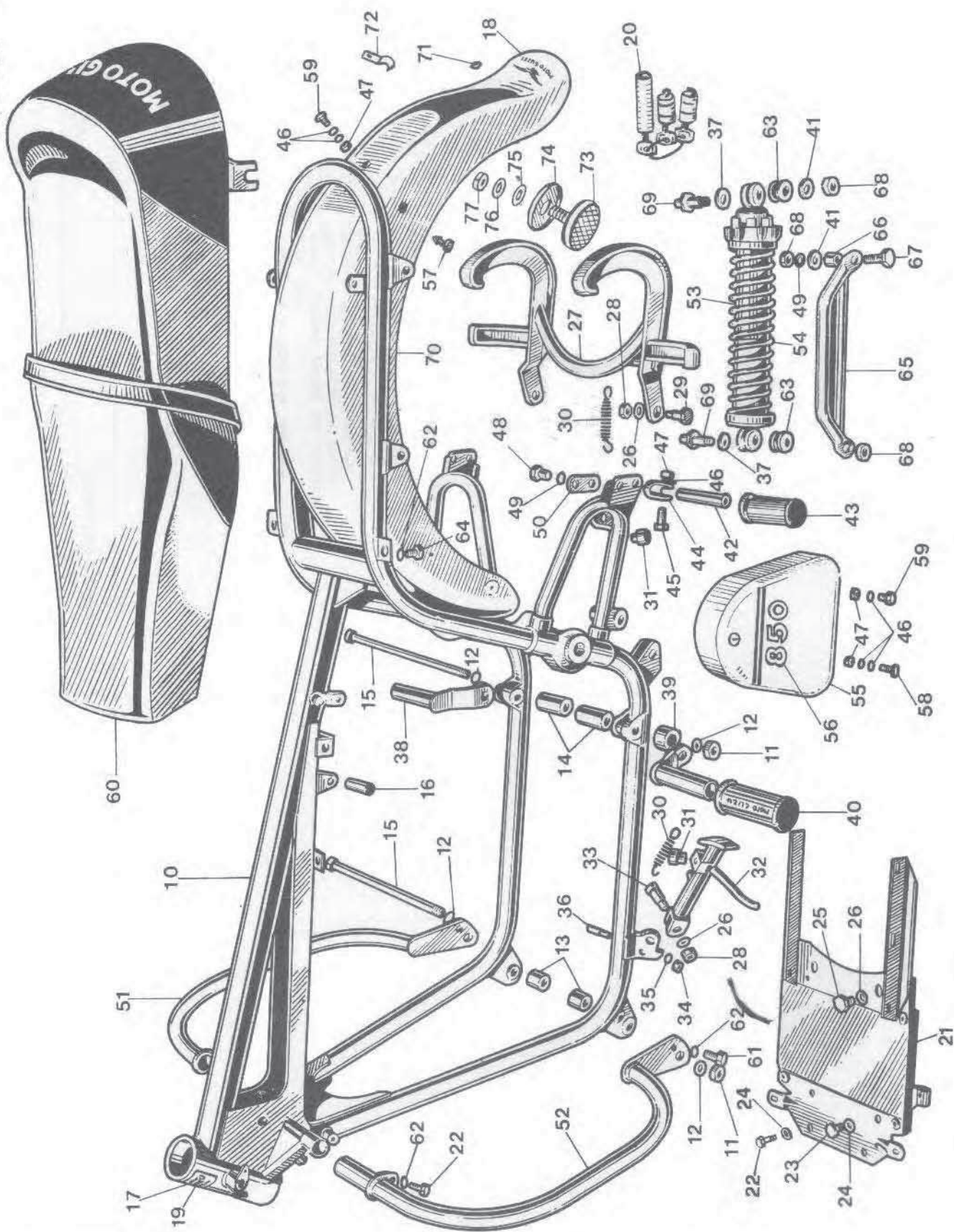




PLATE 11 MODEL: V 850 Eldorado
Frame

GROUP: Frame - Center stand - Side Stand
Footrests - Rear Fender

Fig. N.	Order N.	DESCRIPTION	Qty	Notes
55	13 47 60 25	Tool box, black, with decal	2	
	13 47 60 26	Tool box, red, with decal		
	13 47 60 27	Tool box, white, with decal		
56	13 91 75 25	Decal for red and black tool box	2	
	13 91 72 27	Decal for white tool box		
57	93 18 00 70	Grommet, rear fender	2	
58	98 10 60 17	Screw, long, tool box and number plate securing	2	
59	98 05 43 12	Screw, short, tool box and rear fender	6	
60	12 46 05 02	Seat, dual	1	
61	98 05 44 18	Screw, bottom, safety bar securing	2	
62	95 02 11 08	Washer, rear seat securing screw	6	
63	10 55 16 00	Bushing, flexible, rear dampers	4	
64	98 05 44 16	Screw, front, seat securing	2	
65	12 46 43 20	Handgrip, machine raising	2	
66	91 18 10 15	Spacer	2	
67	98 05 25 40	Screw	2	
68	92 60 22 10	Nut, handgrip and damper securing	2	
69	12 55 52 01	Bottom boss, damper attachment	6	
	12 55 53 51	Top boss, damper attachment	2	
70	13 43 70 20	Rear fender	2	
71	91 55 10 81	Grommet, tail lamp cable	1	
72	93 30 13 13	Cable guide plate	1	
73	12 78 15 21	Reflex reflector on rear fender (red)	2	
74	14 51 70 00	Rubber washer, reflex reflector	2	
75	93 11 00 60	Rubber block	2	
76	95 00 02 05	Washer, reflex reflector	2	
77	92 63 01 05	Self locking nut, reflex reflector	2	

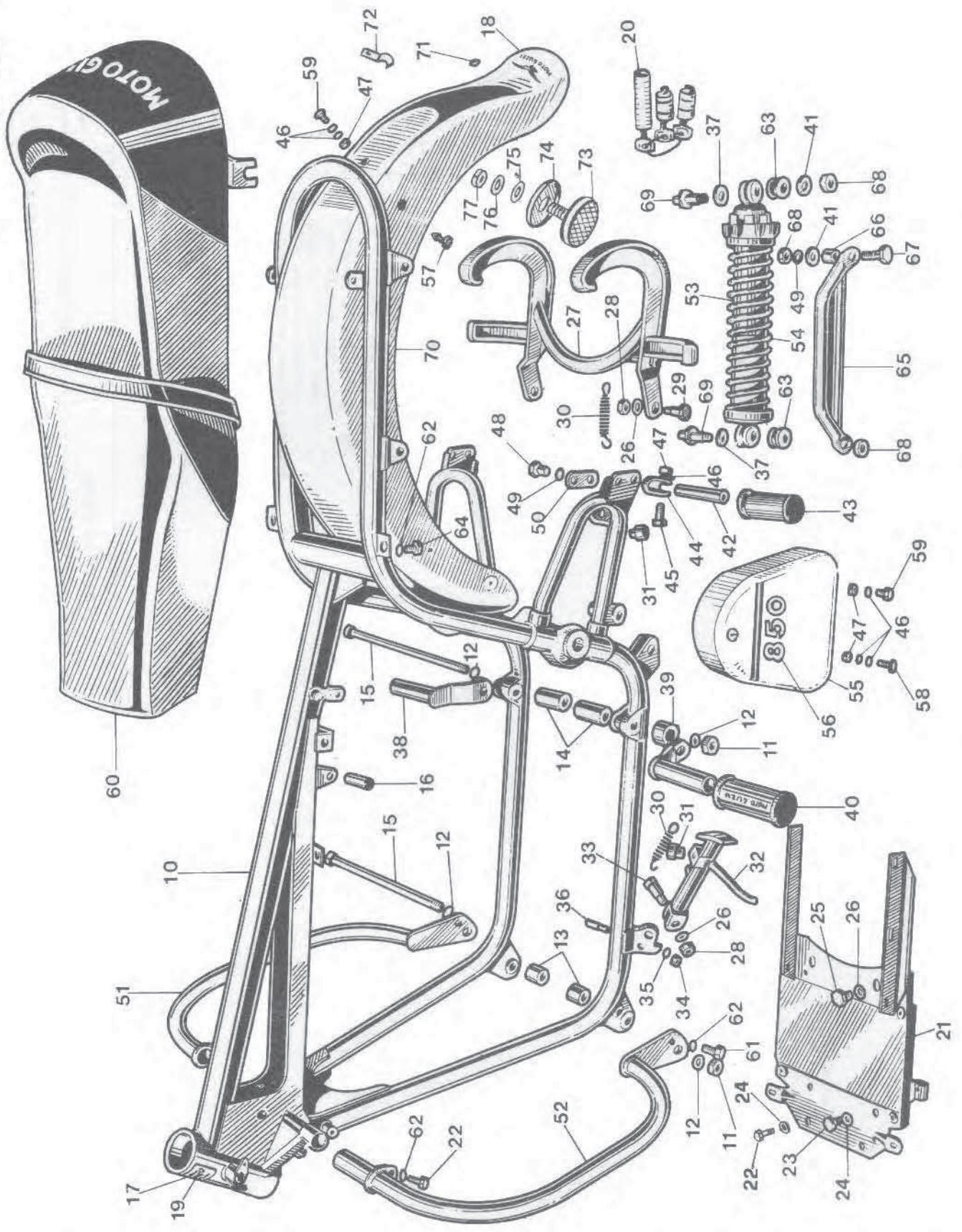




PLATE 12 MODEL: V 850 Eldorado
Front Suspension - Steering

GROUP: Front fork - Front fender -
Steering

Fig. N.	Order N.	DESCRIPTION	Q.ty	Notes
10	12 49 02 21	Front fork, complete	1	
11	92 70 11 39	Nut, top linking plate securing	1	
12	95 10 05 21	Washer, top linking plate nut	1	
13	12 50 45 00	Plug, top fork	2	
14	90 70 62 22	Gasket, top fork plugs	2	
15	12 50 46 00	Washer, top fork plugs	2	
16	12 49 30 01	Top linking plate	1	
17	12 49 27 00	Rubber seal on headlight bracket	2	
18	12 49 23 00	Cap, headlight bracket	2	
19	93 60 10 26	Lock ring, bottom yoke	2	
20	12 49 45 00	Cap, steering tube	1	
21	92 24 92 25	Bearing, taper roller, steering	2	SKF - KM5 25x52x16,25 (RIV 01/02/7205)
22	12 49 41 80	Steering tube, bottom yoke	1	
23	92 70 12 52	Nut, steering tube to bottom yoke	1	
24	12 49 42 01	Bottom yoke	1	
25	98 05 36 75	Bolt, handlebar clamps	2	
26	95 10 14 30	Washer, clamp bolts to bottom yoke	3	
27	92 60 25 12	Nut, clamp bolts to bottom yoke	2	
28	12 49 80 00	Eyelet with securing plate, front brake cable	1	
29	91 55 11 02	Ring, rubber, front brake cable guide	1	
30	12 49 61 21	Headlight bracket, R/H	1	
31	12 49 62 21	Headlight bracket, L/H	1	
32	12 52 76 00	Bottom plate headlight bracket	2	
33	12 52 66 00	Spring, front fork	2	
34	12 52 77 00	Housing, fork springs	2	
35	90 40 35 50	Seal	2	35x50x10
36	12 55 54 00	Fork tube	2	
37	12 52 59 00	Lock ring, fork rod and bottom fork link securing	2	
37/1	95 10 09 01	Shim, bottom links securing lock rings	2	
38	12 52 58 00	Bushing, bottom fork tube	2	
39	12 52 25 00	Cover, fork, R/H	2	
40	12 52 26 00	Cover, fork, L/H	1	
41	90 70 64 90	Gasket, fork cover	1	
42	12 52 72 10	Washer, adjusting, top bush	2	(0.1 mm. = .0039")
43	90 35 30 46	Circlip, fork cover	4	(2 mm. = .078")
	12 52 72 00	Shim, fork cover adjusting	2	(2.1 mm. = .082")
	12 52 72 01	Shim, fork cover adjusting	2	(2.2 mm. = .086")
44	12 52 72 02	Shim, fork cover adjusting	2	(2.3 mm. = .090")
	12 52 72 03	Shim, fork cover adjusting	2	(2.4 mm. = .094")
	12 52 72 04	Shim, fork cover adjusting	2	
45	12 52 67 00	Bush, top fork cover	2	
46	98 02 05 35	Bolt, handlebar clamp to headlight bracket	2	
47	95 10 03 31	Washer, handlebar clamp to headlight bracket bolt	2	
48	98 30 50 09	Screw, oil drain from fork legs	2	

TAVOLA 12

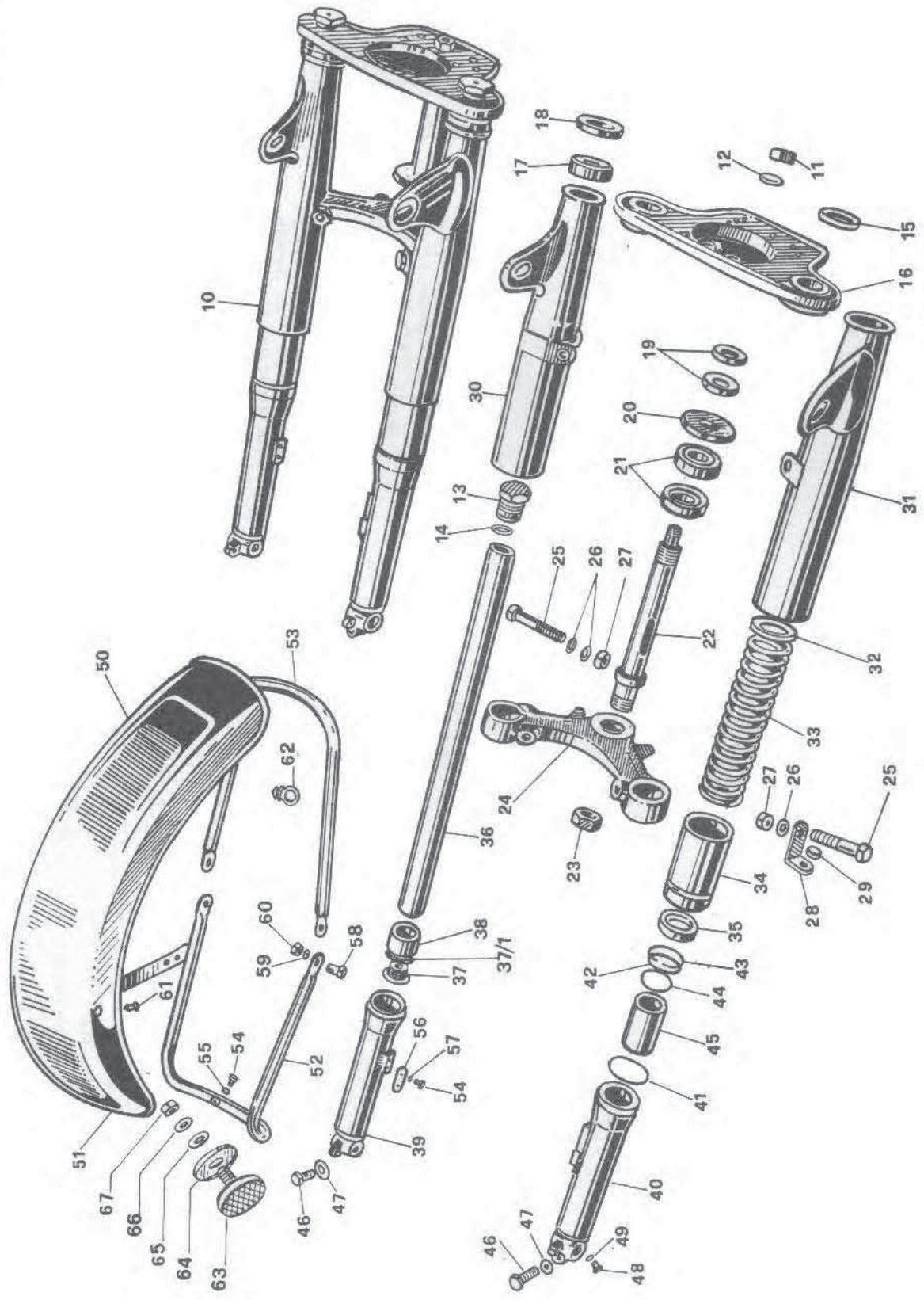




PLATE 12 MODEL

V 850 Eldorado
Front Suspension - Steering

GROUP: Front fork - Front fender -
Steering

Fig. N.	Order N.	DESCRIPTION	Qty	Notes
49	90 71 40 51	Washer, oil drain screw	2	
50	13 43 43 20	Front fender	1	
51	92 85 07 52	Decal, front fender	1	
52	12 43 57 00	Stay, top, front fender	1	
53	12 43 59 00	Stay, bottom, rear fender	1	
54	98 05 43 12	Screw, stay and center attachment plate	8	
55	95 10 01 21	Washer, stay securing screws	4	
56	55 43 48 25	Plate, center fender securing	2	
57	95 10 01 30	Washer, plate securing screws to fender	4	
58	98 02 44 22	Screw, front fender to fork	4	
59	95 02 11 08	Washer, front fork to fender screws	4	
60	92 60 22 08	Nut, front fork to fender screws	4	
61	93 18 01 05	Grommet, fender drilling	1	
62	13 43 65 61	Eylet, cable guide	1	
63	12 78 16 21	Reflex reflector on front fender, orange	2	
64	14 51 70 00	Rubber ring, reflex reflector	2	
65	93 11 00 60	Rubber cushion	2	
66	95 00 02 05	Washer, reflex reflector fixing	2	
67	92 63 01 05	Self locking nut, reflex reflector fixing	2	

TAVOLA 12

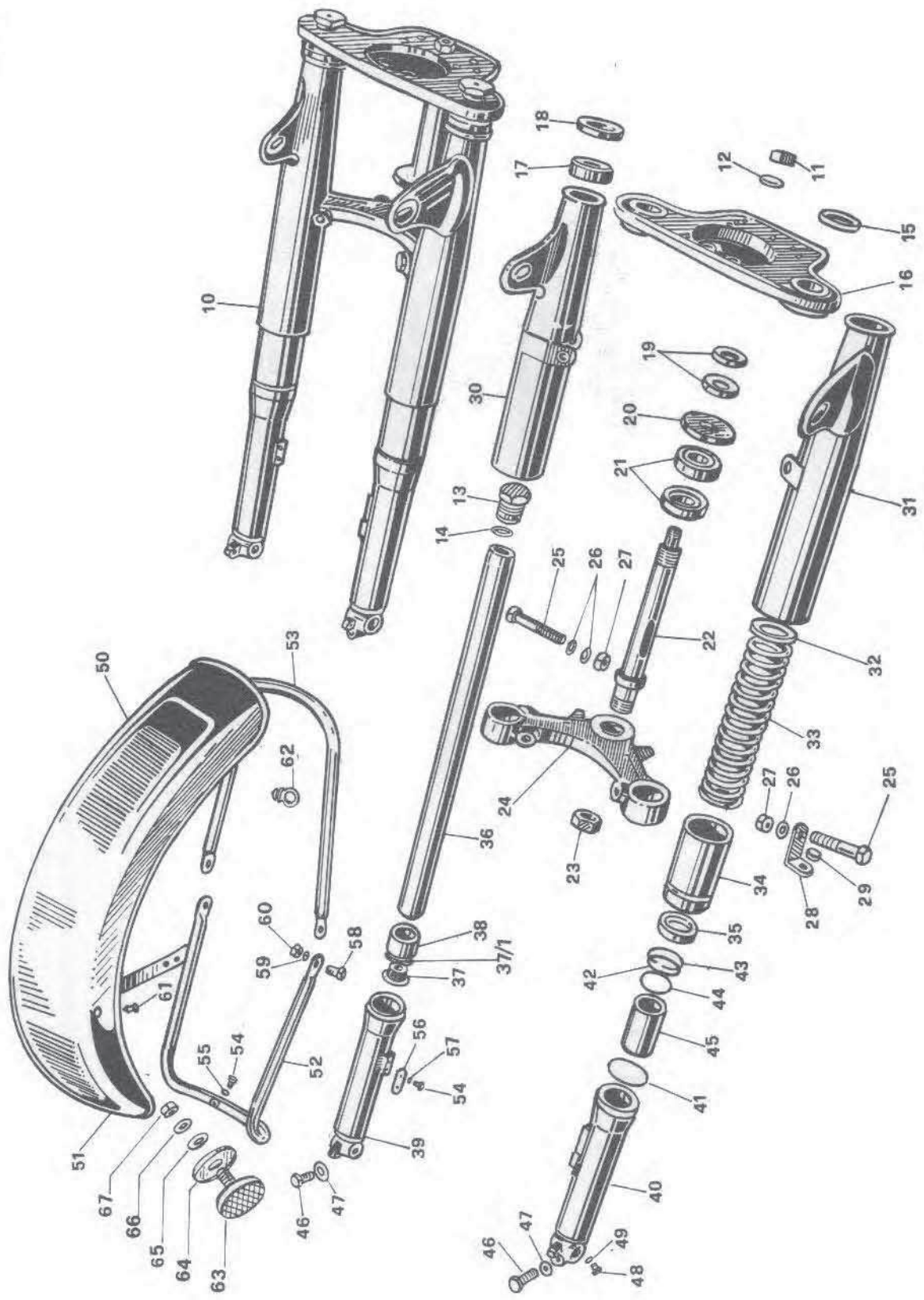


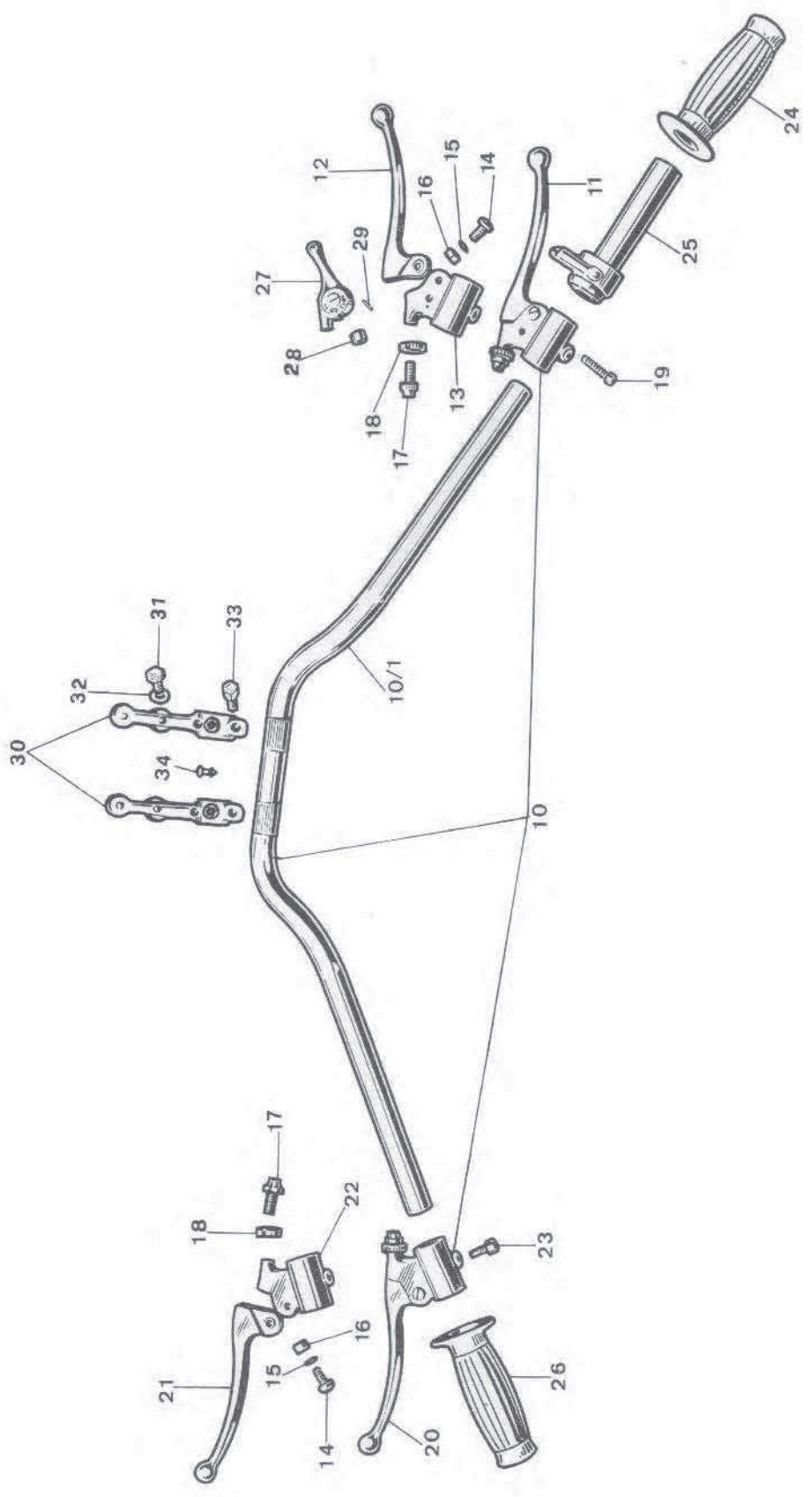


PLATE 13 MODEL: V 850 Eldorado
Steering

GROUP: Handlebar and control levers

Fig. N.	Order N.	DESCRIPTION	Qty	Notes
10	12 60 01 01	Handlebar complete with control levers	1	
10/1	12 60 03 00	Handlebar, bare	1	
11	13 60 54 45	Lever, front brake, complete	1	Ci.Te
12	12 60 56 05	Lever, front brake, bare	1	Ci.Te
13	13 60 10 45	Fulcrum, front brake lever	1	Ci.Te
14	98 32 60 20	Screw, front brake and clutch lever securing	2	Ci.Te
15	95 02 11 06	Washer, spring, front brake and clutch levers	2	
16	92 60 24 06	Nut, front brake and clutch levers	2	
17	95 79 02 37	Adjuster, front brake and clutch lever cables	2	
18	93 76 00 72	Thumb screw, front brake and clutch cable adjusting	2	
19	98 62 03 30	Screw Allen, front brake fulcrum securing	1	
20	12 60 55 05	Lever, clutch, complete	1	Ci.Te
21	12 60 57 05	Lever, clutch, bare	1	Ci.Te
22	12 60 19 05	Fulcrum, clutch lever	1	Ci.Te
23	98 62 03 18	Screw, Allen, clutch lever fulcrum	1	
24	55 60 35 00	Twist grip control, R/H	1	
25	55 60 34 00	Rubber grip, throttle control	1	
26	55 60 30 00	Rubber grip, handlebar, L/H	1	
27	12 11 80 05	Lever, easy start	1	
28	91 18 07 10	Bush, easy start lever securing screw	1	Ci.Te
29	95 51 03 13	Pin, easy start lever	1	Ci.Te
30	12 50 02 40	Clamp handlebar	2	Ci.Te
31	98 05 44 20	Screw, clamp	4	
32	95 02 11 08	Washer, clamp screw	4	
33	11 50 07 00	Screw, clamp caps securing	4	
34	45 40 97 01	Plug, clamp drillings sealing	2	

TAVOLA 13





**PLATE 14 MODEL: V 850 Eldorado
Instruments**

**GROUP: Speedometer - Rev counter -
Warning lights - Connecting cables**

Fig. N.	Order N.	DESCRIPTION	Qty	Notes
10	13 50 15 00	Instrument panel	1	
11	13 50 22 00	Rubber block, instrument panel	3	
12	92 75 00 62	Nut, rubber block securing	1	
13	95 10 01 30	Washer, rubber block	3	
14	92 78 10 61	Nut, panel securing	3	
15	13 76 15 21	Speedo head	1	
16	90 70 67 46	Gasket, speedometer	2	
17	12 76 04 00	Cable, speedometer	1	
18	14 76 25 10	Speedo drive, complete	1	
19	12 76 33 00	Ferrule, speedo drive	1	
20	14 76 61 10	Gear, speedo drive	1	
21	13 76 72 00	Rev-counter, electronic	1	
22	10 74 49 00	Neutral indicator light, orange	1	
23	10 74 49 02	Generator and oil pressure light, red	2	
24	13 74 49 20	High beam indicator, red	1	
25	13 76 10 01	Cable, red and orange lights connection	1	
26	13 76 11 00	Cable, neutral indicator to main cable	1	
27	13 76 12 00	Cable, indicator F and main cable	1	
28	13 76 13 00	Cable, indicator D and main cable	1	
29	13 76 14 00	Cable, two-core, instruments illumination	1	
30	13 76 73 00	Cable, ground, rev-counter	1	
31	98 02 43 10	Screw, grounding	1	
32	13 76 77 01	Cable, connection, rev-counter to contact breaker and rev-counter to coil	4	
33	13 76 49 00	Connection plate, speedometer	1	
34	13 76 78 00	Connection plate, rev-counter	1	
35	13 76 64 20	Tag, warning lights L/H	1	
36	13 76 63 20	Tag, warning lights R/H	1	
37	90 70 60 76	Sealing ring, indicator bulbs	4	
38	10 74 49 10	Bulb, warning lights (12V—3W)	4	
39	10 75 49 00	Glass, orange, neutral indicator	1	
40	10 75 49 02	Glass, red, generator, oil pressure, and high beam	3	

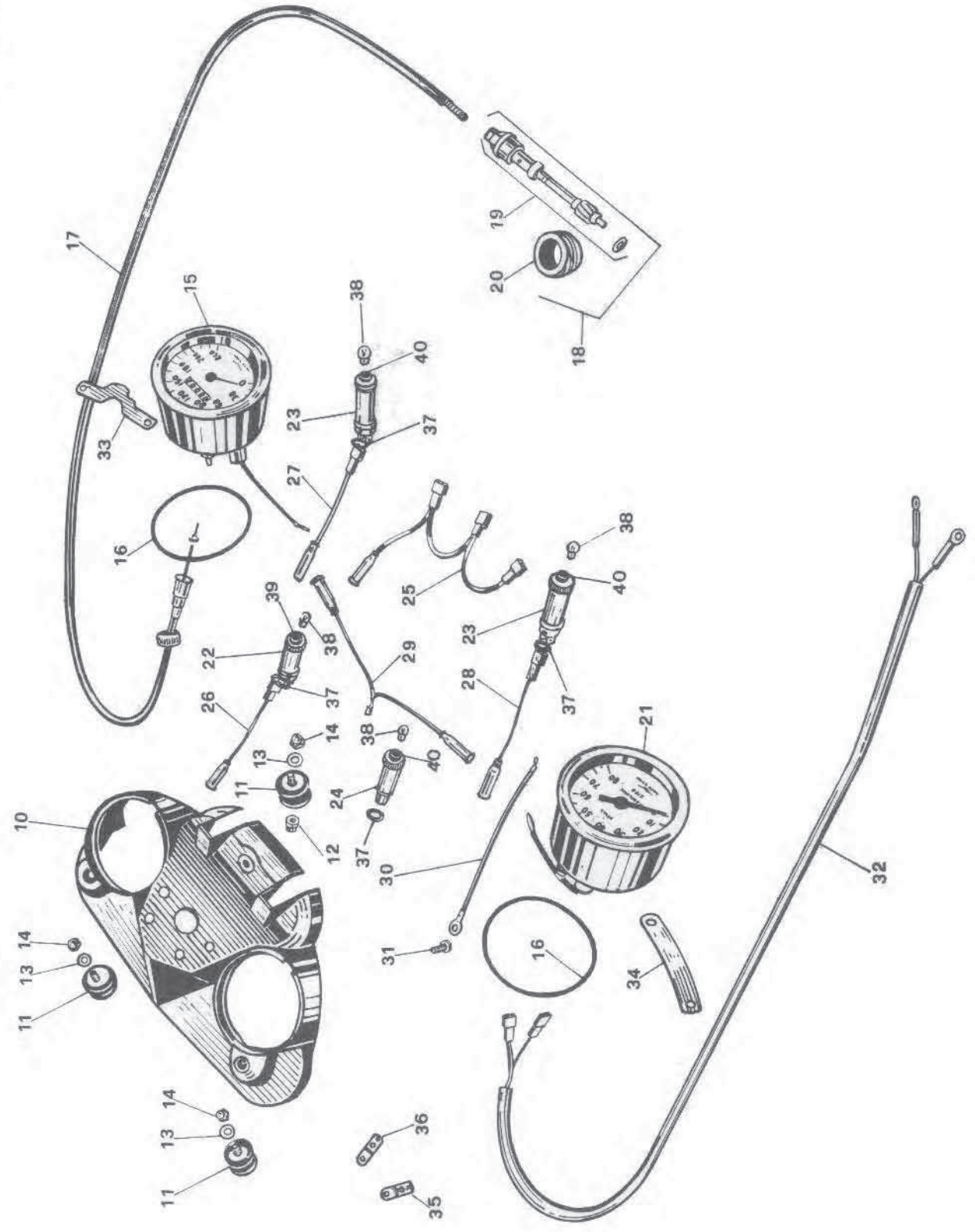


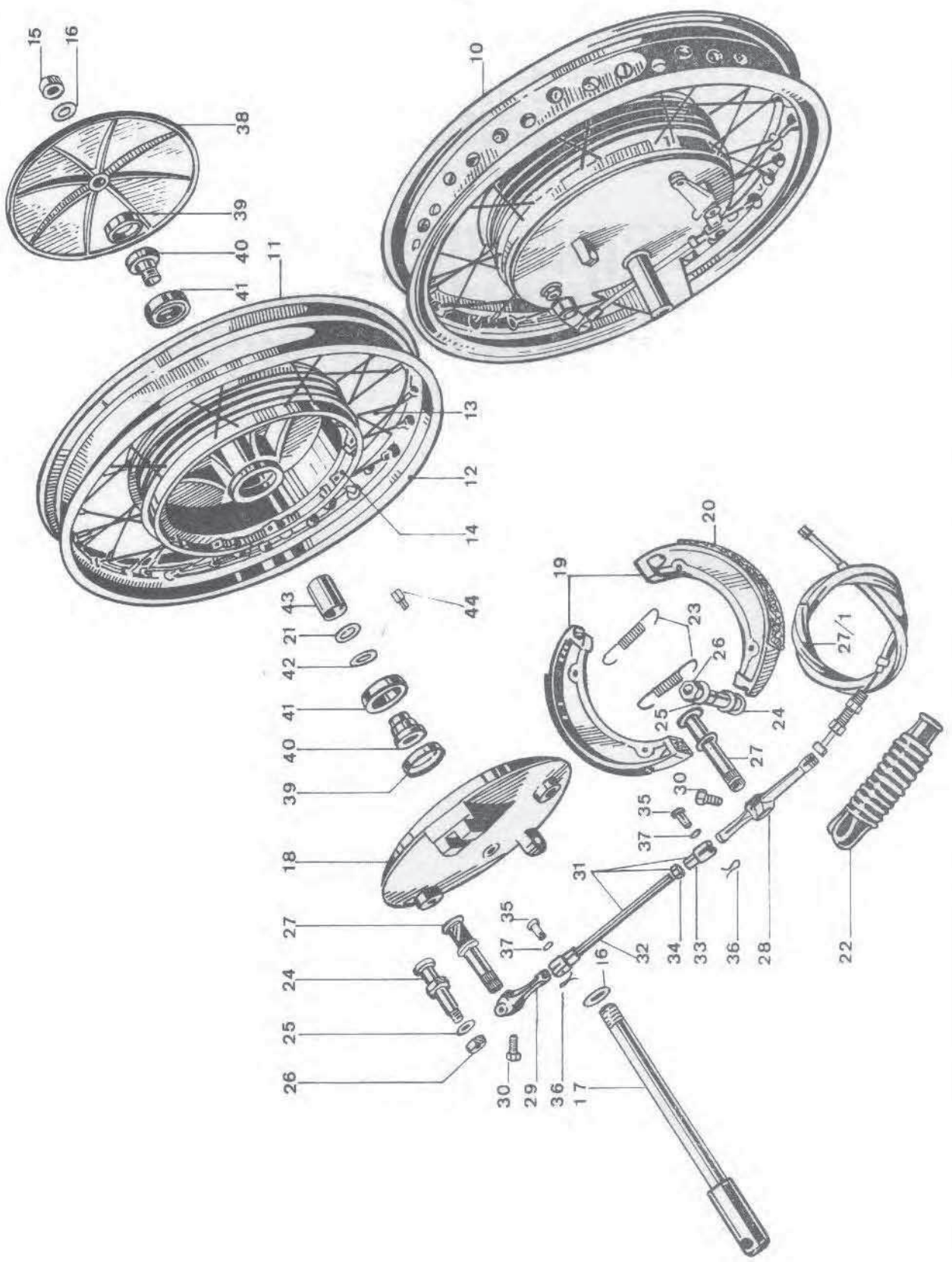


PLATE 15 MODEL: V 850 Eldorado
Wheels

GROUP: Front wheel - Hub - Brake controls

Fig. N.	Order N.	DESCRIPTION	Q.ty	Notes
10	12 61 02 00	Front wheel, complete	1	
11	12 61 03 00	Front wheel, bare, with bearings	1	
12	12 61 08 00	Rim, front wheel	1	
13	12 61 15 01	Spoke, front wheel, c/w nipples	40	
14	12 61 32 00	Hub, front wheel	1	
15	92 70 01 71	Nut, front wheel spindle	1	
16	95 10 06 28	Washer, front wheel spindle	2	
17	12 61 41 00	Spindle, front wheel	1	
18	12 62 02 00	Cover, rear hub	1	
19	12 62 08 00	Brake shoe, c/w linings	2	
20	12 62 14 00	Lining, brake shoe	2	
21	95 10 07 27	Shim	6 to 12	
22	12 62 63 00	Rubber protection, cable end	1	
23	12 63 81 00	Spring, front brake shoe	2	
24	12 62 32 00	Pin, brake shoes	2	
25	95 10 03 11	Washer, brake shoe pins	2	
26	92 60 22 10	Nut, brake shoe pins	2	
27	12 62 25 00	Cam, front brake shoes	2	
27/1	13 62 54 21	Cable, front brake incorporating front brake stop cutout	1	
28	12 62 53 00	Lever, cam, double action	1	
29	12 62 50 00	Lever, brake cam	1	
30	98 10 60 22	Bolt, lever to cams	2	
31	12 62 66 00	Tie rod, c/w forks for operating levers	1	
32	12 62 67 00	Tie rod	1	
33	12 62 68 00	Fork, tie rod	2	
34	92 60 22 06	Nut, adjusting, tie rod	1	
35	95 78 02 65	Pin, rod to operating lever	2	
36	95 50 02 22	Split pin, tie rod to control levers	2	
37	95 12 91 10	Washer, lever pin	2	
38	12 62 15 00	Hub cover, R/H	1	
39	90 40 32 49	Seal, hub	2	
40	12 61 52 00	Bush, bearing housing	2	
41	92 24 69 22	Bearing roller	2	
		Shim (1 mm. = .039"), hub adjusting		Corteco 32.48.7 BA
		Shim (1.1 mm. = .043"), hub adjusting		22x48x15.5 (RIV
		Shim (1.2 mm. = .047"), hub adjusting		01/02/4210)
		Shim (1.3 mm. = .051"), hub adjusting	as	
		Shim (1.4 mm. = .055"), hub adjusting	required	
		Shim (1.5 mm. = .059"), hub adjusting		
		Shim (2 mm. = .078"), hub adjusting		
		Spacer, between hub bearings	1	
		Balance weight, front wheel (gr. 15 = 230 grains)		
		Balance weight, front wheel (gr. 20 = 307 grains)	as	
		Balance weight, front wheel (gr. 30 = 460 grains)	required	

TAVOLA 15





**PLATE 16 MODEL: V 850 Eldorado
Wheels**

**GROUP: Rear wheel - Hub - Rear brake -
Controls**

Fig. N.	Order N.	DESCRIPTION	Q.ty	Notes
10	12 63 02 01	Rear wheel, complete	1	
11	12 63 05 00	Rim, rear wheel	1	
12	12 61 08 00	Spoke, rear wheel	1	
13	12 61 15 01	Hub, rear wheel	40	
14	12 63 30 00	Nut, rear wheel spindle	1	
15	92 70 01 71	Washer, rear wheel spindle	1	
16	95 10 06 28	Spindle, rear wheel	2	
17	12 63 33 00	Spacer, rear wheel spindle	1	
18	12 63 41 00	Cover, rear hub	1	
19	12 63 52 01	Shoe, rear brake, c/w linings and plates	1	
20	12 63 74 00	Lining, rear brake shoes	2	
21	12 62 14 00	Spring, rear brake shoes	2	
22	12 63 82 00	Pin, rear brake shoes	2	
23	12 63 62 01	Washer, rear brake shoes	1	
24	95 10 05 21	Nut, shoe pin	1	
25	92 70 11 48	Tie rod, rear hub cover	1	
26	12 63 66 00	Washer, rear hub cover rod	1	
27	95 02 11 10	Nut, rear hub cover rod	3	
28	92 60 22 10	Screw, tie rod securing to rear fork	3	
29	98 11 00 20	Screw, hub cover securing	1	
30	98 05 25 50	Cam, rear shoes control	1	
31	12 62 25 00	Lever, cam operating	1	
32	12 63 96 01	Screw, lever to cam	1	
33	98 10 60 22	Thumb screw, rear brake adjusting rod	1	
34	95 73 02 60	Roller, lever, on rear hub cover	1	
35	95 71 63 68	Split pin, tie rod to shoe pin	1	
36	95 50 02 22	Washer, tie rod to lever	1	
37	95 10 01 37	Tie rod, rear brake control	1	
38	12 67 60 01	Spindle, c/w lever	1	
39	12 67 54 05	Lever, rear brake control	1	
40	12 67 70 05	Screw, rear brake lever to spindle	1	
41	98 05 44 25	Lever, rear brake spindle	1	
42	12 67 65 05	Screw, lever to spindle	1	
43	98 05 23 30	Washer, lever securing screw	1	
44	95 02 11 06	Nut, lever securing screw to pin	1	
45	92 60 22 06	Circlip, pin retaining	1	
46	90 27 10 14	Nut, central body securing bolt	6	Seeger 14 e
47	92 60 50 08	Washer, central body bolt	6	
48	95 10 12 31	Bolt, central body securing	6	
49	98 10 80 38	Central body	1	
50	12 63 32 00	Seal	1	
51	90 40 32 49	Housing, taper roller bearing	2	Corteco 32.48.77 BA
52	12 61 52 00	Bearing, taper roller, hub	2	22x48x15.5 (RIV
53	92 24 69 22		2	02/4210)

TAVOLA 16

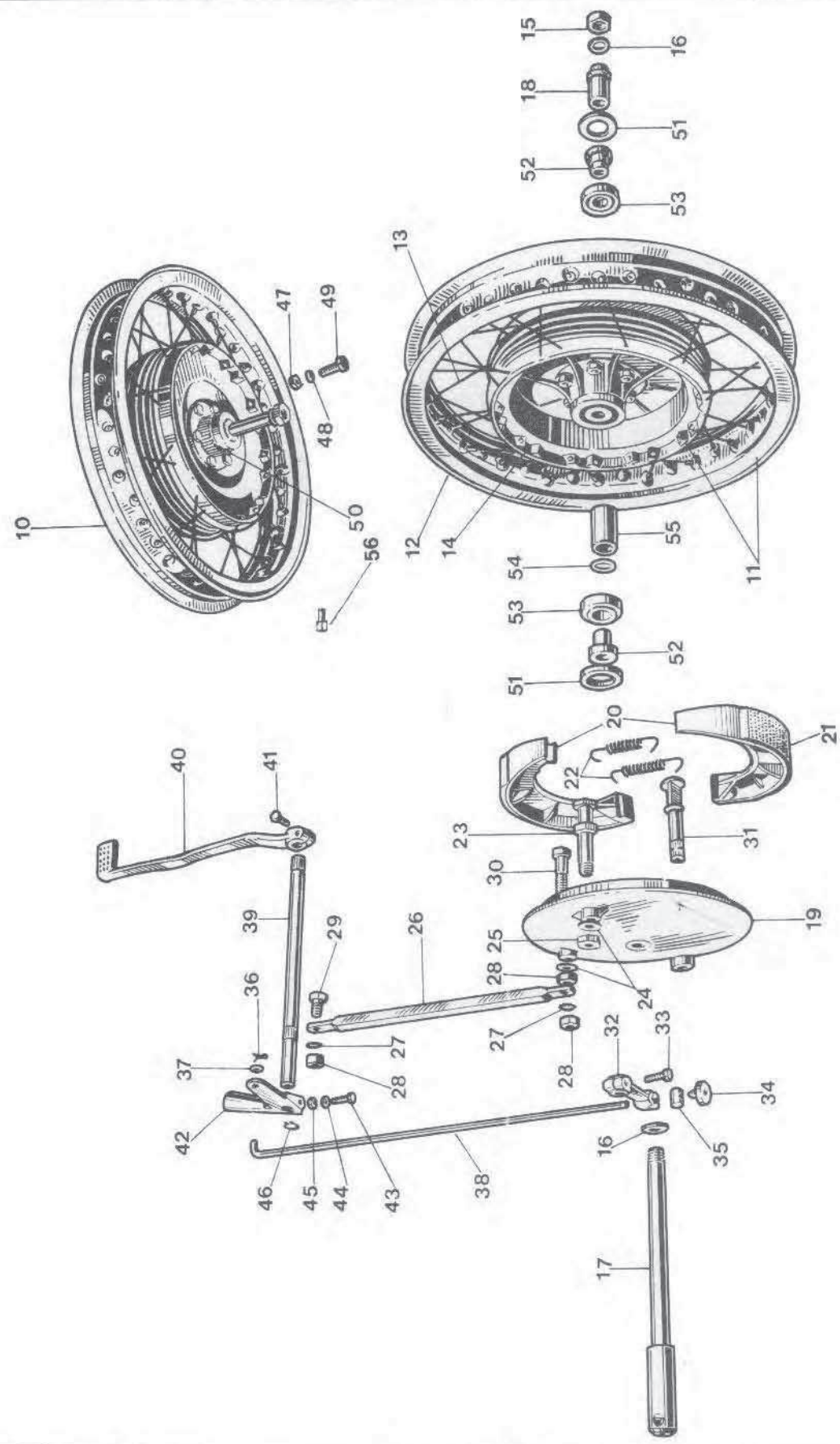




PLATE 16 MODEL: V 850 Eldorado
Wheels

GROUP: Rear wheel - Hub - Rear brake -
Controls

Fig. N.	Order N.	DESCRIPTION	Qty	Notes
54	12 61 58 00	Shim, hub adjusting, 1 mm. = .039"	.	
	12 61 58 01	Shim, hub adjusting, 1.1 mm. = .043"	.	
	12 61 58 02	Shim, hub adjusting, 1.2 mm. = .047"	.	
	12 61 58 03	Shim, hub adjusting, 1.3 mm. = .051"	.	as required
	12 61 58 04	Shim, hub adjusting, 1.4 mm. = .055"	.	
	12 61 58 05	Shim, hub adjusting, 1.5 mm. = .059"	.	
55	12 61 58 20	Shim, hub adjusting, 2 mm. = .078"	.	
	12 63 40 00	Spacer, hub bearings	1	
56	12 61 61 01	Balance weight, rear wheel 15 gr. = 230 grains	.	
	12 61 61 02	Balance weight, rear wheel 20 gr. = 307 grains	.	as required
	12 61 61 03	Balance weight, rear wheel 30 gr. = 460 grains	.	

TAVOLA 16

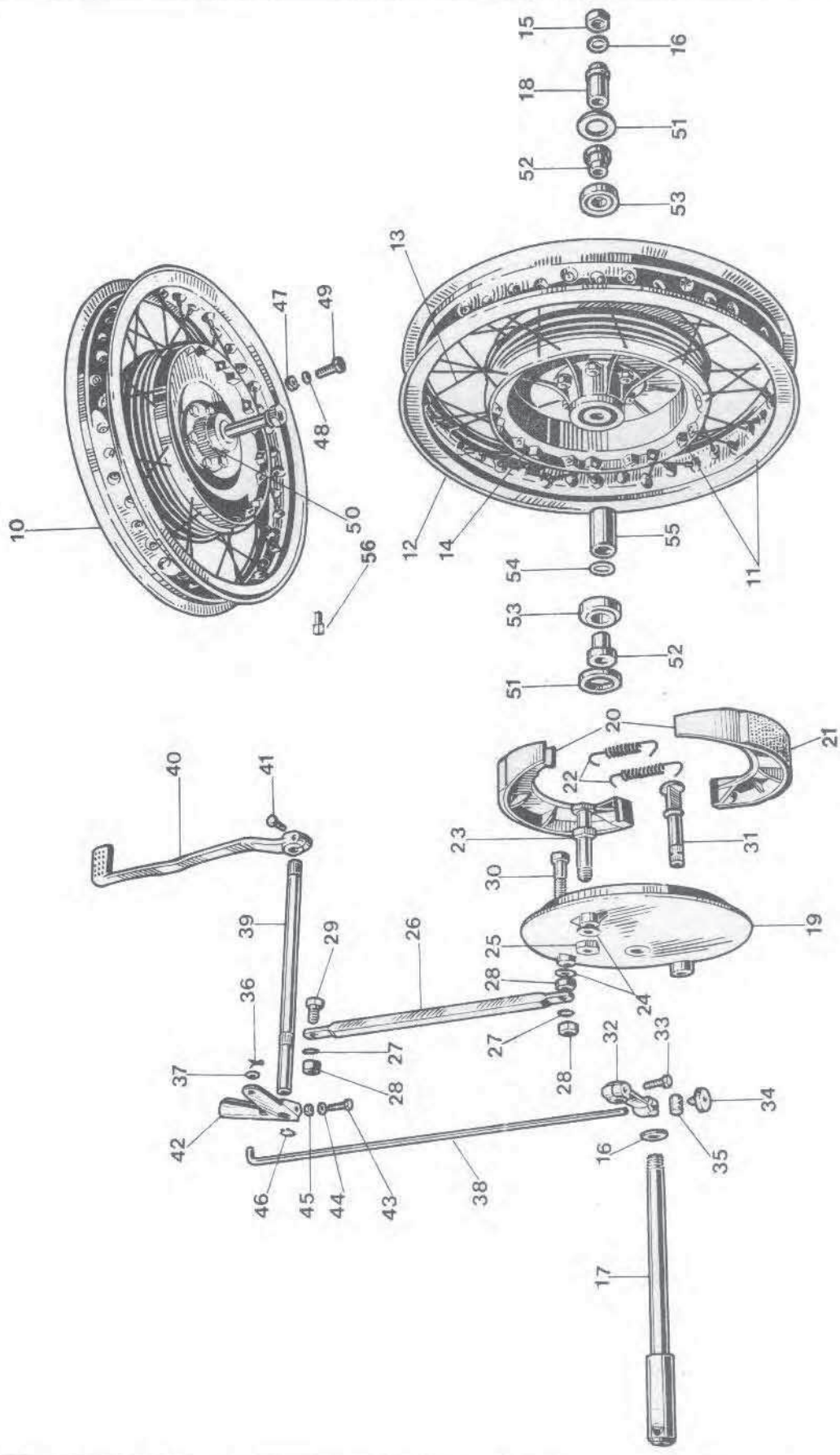




PLATE 17 MODEL: V 850 Eldorado
Electrical equipement

GROUP: Ignition and Lighting

Fig. N.	Order N.	DESCRIPTION	Qty	Notes
10	12 70 02 05	Generator (Bosch G 14 V — 25 A — 23)	1	
11	12 70 03 00	Bracket, generator	1	
12	98 05 44 20	Screw, generator bracket	2	
13	95 02 11 08	Washer, generator bracket	5	
14	12 70 07 00	Washer, generator bracket screws, coil and horn screws	2	
15	95 71 62 80	Band, generator	1	
16	95 71 63 80	Roller, threaded, generator band	1	
17	99 10 51 27	Roller, plain, generator band	1	
18	12 70 09 00	Screw, band securing	1	
19	12 70 09 00	Pin, band securing	2	
20	95 50 02 22	Split pin	4	
21	12 70 06 10	Cover, generator	1	
22	12 70 25 05	Belt (Pirelli 10x8x754)	1	
23	98 05 43 12	Screw, generator cover	4	
24	95 02 11 06	Washer, generator cover and starter button screws	5	
25	12 71 57 01	Bracket, distributor	1	
26	12 71 59 01	Gasket, distributor bracket	1	
27	98 05 44 25	Screw, distributor bracket	1	
28	95 10 12 31	Washer, regulator bracket, coil and distributor bracket screws	6	
29	12 71 54 00	Distributor (Marelli S 123 A)	1	
30	12 71 62 00	Gear, distributor	1	
31	95 51 03 18	Pin, distributor gear securing	1	
32	98 10 60 21	Screw, distributor	1	
33	26 71 65 04	Washer, distributor screw	1	
34	98 05 44 12	Coil, ignition (Bosch 0221.114.006-E12V)	1	
35	92 60 22 08	Screw, coil securing	2	
36	12 71 78 01	Nut, regulator to bracket and coil and horn securing screws	5	
37	12 71 76 00	H.T. lead, distributor to coil	1	
38	45 71 76 00	Cap. H.T. coil	1	
39	12 71 83 01	Cap, distributor-coil-plug and oil pressure solenoid leads	4	
40	45 71 74 50	H.T. lead, distributor to R/H plug, complete	1	
41	12 71 85 01	Cap, spark plug	2	
42	55 71 70 00	H.T. lead, distributor to L/H plug, complete	1	
43	12 71 93 05	Spark plug (n. 225 in Bosch-Marelli thermic scale or equivalent)	2	
44	12 70 29 00	L.T. lead, distributor to coil	1	
45	12 73 07 05	Cap, small	2	
45/1	12 73 10 00	Starter motor (Bosch 0,5 HP — 12 V)	1	
46	12 70 38 05	Cable, grounding, starter motor	1	
46/1	12 74 77 00	Regulator (Bosch VA 14 V — 25 A)	1	
47	12 73 28 00	Cable, from regulator to ground	1	
48	12 73 27 05	Bracket, regulator and starter solenoid	1	
49	12 70 42 00	Cable, from regulator (B+) to starter solenoid	1	
50	12 73 53 00	Washer, regulator bracket	1	
51	12 73 57 50	Switch, ignition (Marelli « 25 Q » — O 161 C, complete with keys)	1	
52	90 70 62 52	Cover, ignition key	1	
		Washer, ignition switch	1	

TAVOLA 17

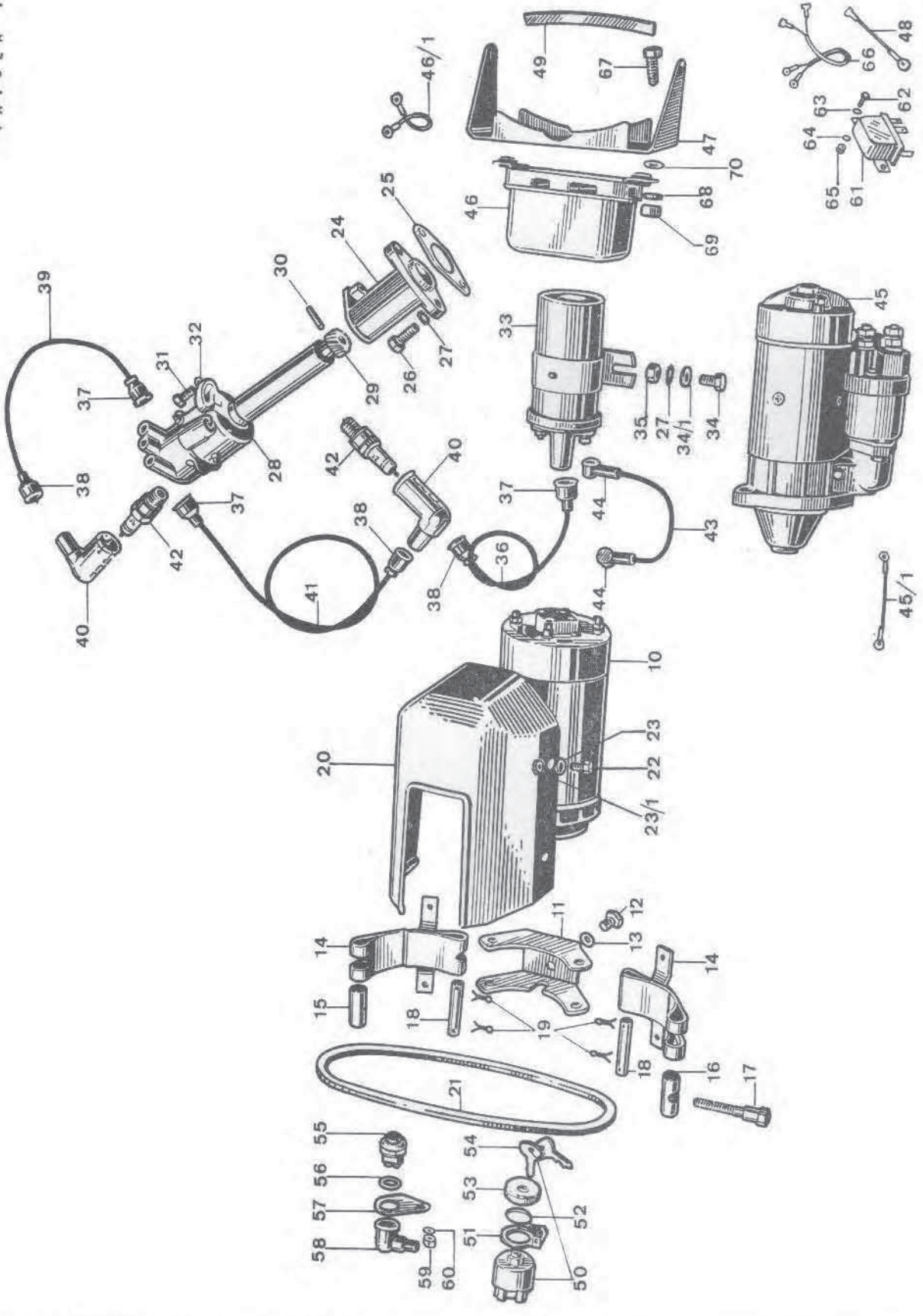


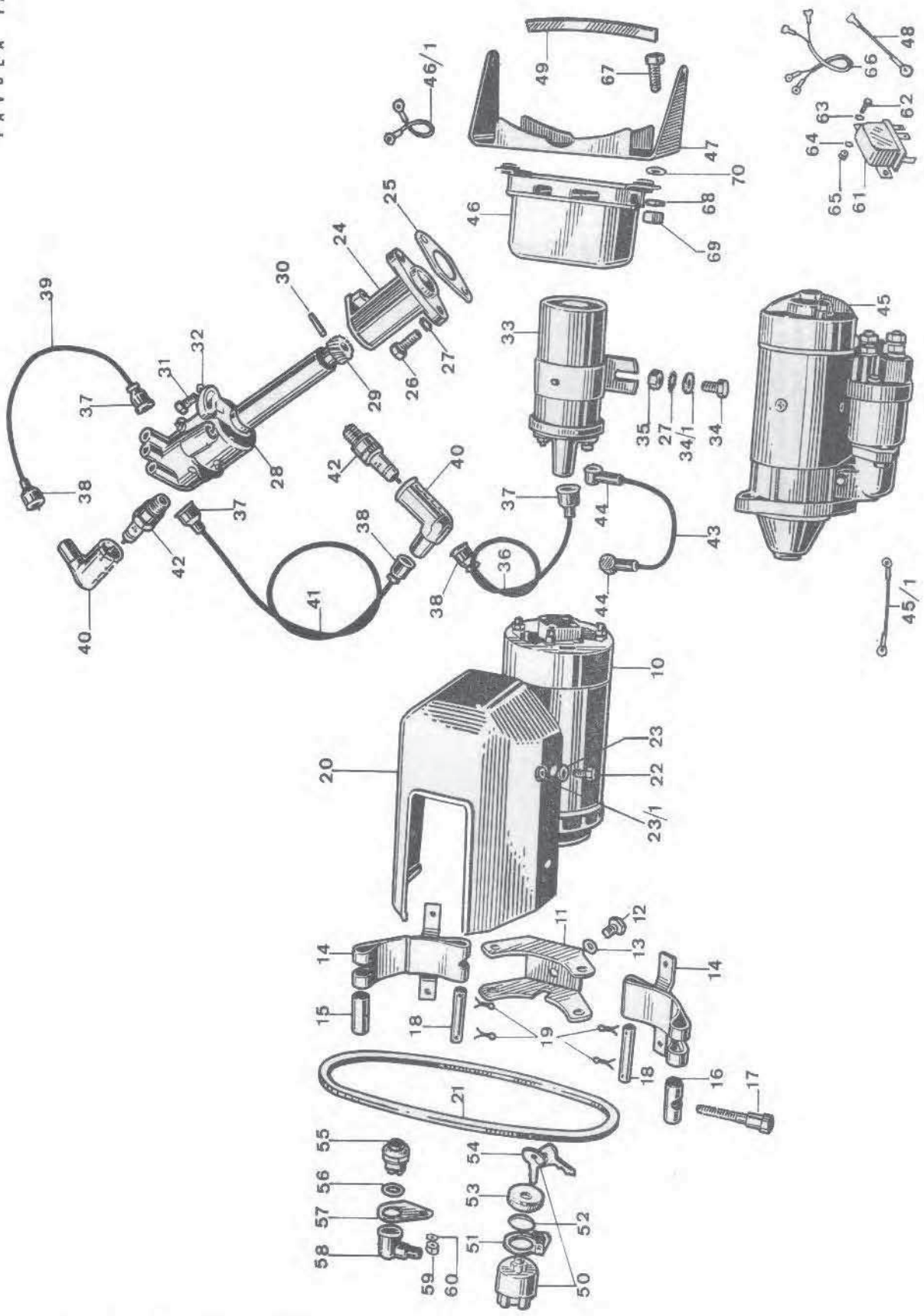


PLATE 17 MODEL: V 850 Eldorado
Electrical equipment

GROUP: Ignition and lighting

Fig. N.	Order N.	DESCRIPTION	QTY	Notes
53	12 73 54 00	Lock ring, ignition switch	1	
54	12 73 55 00	Key, ignition switch (Blank keys supplied with letters E-F-G-H)	2	
55	26 73 50 01	Starter button	1	
56	90 70 61 63	Washer, starter button	1	
57	12 73 49 00	Plate, starter button	1	
58	25 70 71 00	Cap, button protection	1	
59	92 60 22 06	Nut, starter button bracket	1	
60	95 10 01 30	Washer, nut starter button bracket	1	
61	12 73 25 00	Starter solenoid	1	
62	98 05 42 14	Screw, starter solenoid securing	2	
63	95 00 02 05	Washer, flat, starter solenoid screws	2	
64	95 02 11 05	Washer, toothed, starter solenoid screws	2	
65	92 60 22 05	Nut, starter solenoid nuts	2	
66	12 73 26 05	Cable harness from solenoid to starter relay	1	
67	98 05 43 20	Screw, regulator securing to U-plate	2	
68	95 10 01 21	Washer, regulator securing screws	2	
69	92 60 22 06	Nut, regulator securing screws	2	
70	91 55 10 53	Insulating bush, regulator	1	
A	93 30 11 75	Clamp, on gearbox, grounding cables	1	

TAVOLA 17



45/1



PLATE 18 MODEL: V 850 Eldorado
Electrical equipment

GROUP: Headlight - Battery - Horn -
Tail light - Control cables

Fig. N.	Order N.	DESCRIPTION	Qty	Notes
10	12 74 05 21	Headlight, c/w switch	1	CEV mod. 4506
11	12 74 60 01	Switch, c/w cables	1	
12	25 74 37 01	Horn, Bosch	1	
13	98 62 04 20	Screw, horn securing	1	
14	92 60 22 08	Nut, horn and flasher unit securing screw	2	
15	95 02 11 08	Washer, horn and flasher unit securing screw	2	
16	24 70 45 00	Battery (12V - 32Ah)	1	
17	12 70 56 00	Gasket, battery	1	
18	12 70 46 01	Frame, top battery securing	1	
19	12 70 55 00	Stud, top frame securing	1	
20	92 60 22 06	Nut, battery frame and number plate stud	2	
21	95 10 01 30	Washer, battery and number plate stud	6	
22	13 70 52 25	Cover battery R/H black c/w decal	8	
	13 70 52 26	Cover battery R/H red c/w decal		
23	13 70 54 25	Cover battery R/H white c/w decal	1	
	13 70 54 26	Cover battery L/H black c/w decal		
	13 70 54 27	Cover battery L/H red c/w decal		
	13 91 78 25	Cover battery L/H white c/w decal		
24	13 91 78 27	Decal, for red and black battery cover	1	
25	13 70 73 00	Decal, for white battery cover	1	
26	13 70 66 00	Rubber ring	1	
27	12 70 68 00	Thumb screw, cover locking	1	
28	55 74 11 00	Grommet	4	
29	13 74 89 20	Stop cutout	1	
	98 30 50 17	Cable, two-pole, stop cutout		
30	95 10 00 55	Screw, stop cutout	2	
31	92 70 00 50	Washer, stop cutout screws	2	
32	12 47 49 21	Nut, stop cutout screws	2	
33	93 45 02 23	Number plate, c/w tail light	1	
34	98 02 43 10	Bulb, tail light (21/5W — 12V)	1	
35	12 71 76 00	Screw, bottom, number plate	3	
36	26 70 67 00	Cap, oil pressure solenoid	1	
37	12 70 30 00	Cap, battery cable	1	
38	25 70 71 00	Cap, large	2	
39	12 74 71 07	Cap	1	
40	12 74 72 00	Main cable assembly, Bosch equipment	1	
41	12 74 72 00	Cable harness, instrument panel to headlight	1	
42	12 74 77 00	Cable, grounding	1	
43	12 74 74 20	Connections, internal, headlight	1	
44	12 74 75 01	Cable, stop lamp to stop cutout	1	
45	12 74 79 00	Cable from battery	1	
46	12 74 86 00	Cable harness, turn light attachment	1	
47	13 74 16 40	Plate, flasher unit attachment	1	
A	98 05 44 12	Screw, flasher unit securing plate	1	

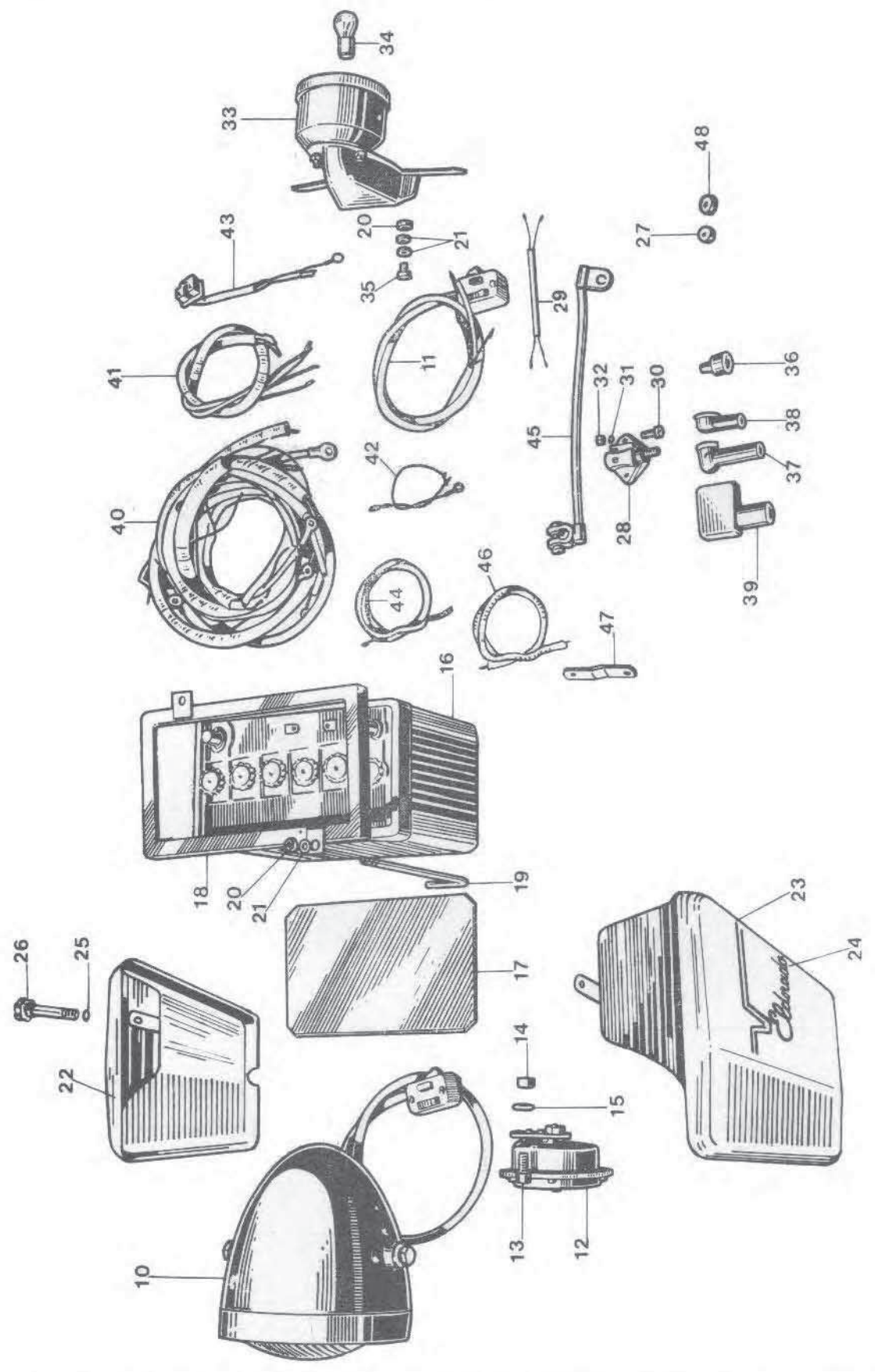




PLATE 19 MODEL: V 850 Eldorado

GROUP: Saddle bags

Fig. N.	Order N.	DESCRIPTION	Qty	Notes
10	13 48 00 41	Saddlebags, complete set	1	
11	13 48 25 01	Saddlebag, r/h	1	
12	13 48 57 01	Saddlebag, l/h	1	
13	13 48 50 01	Support, saddlebag, r/h	1	
14	13 48 65 01	Support, saddlebag, l/h	1	
15	13 48 68 00	Bracket, rear saddlebag connecting	1	
16	98 05 43 20	Screw	2	
17	95 00 02 06	Washer, screw	2	
18	95 02 11 06	Toothed washer	2	
19	92 60 22 06	Nut	2	
20	12 46 43 40	Handgrip, machine raising	1	
21	55 44 58 00	Rubber	1	
22	98 05 45 22	Screw	2	
23	13 48 85 00	Decal, with * Moto Guzzi * eagle and stripe, saddlebag r/h	1	
	13 48 86 00	Decal, with * Moto Guzzi * eagle and stripe, saddlebag l/h	1	

TAVOLA 19

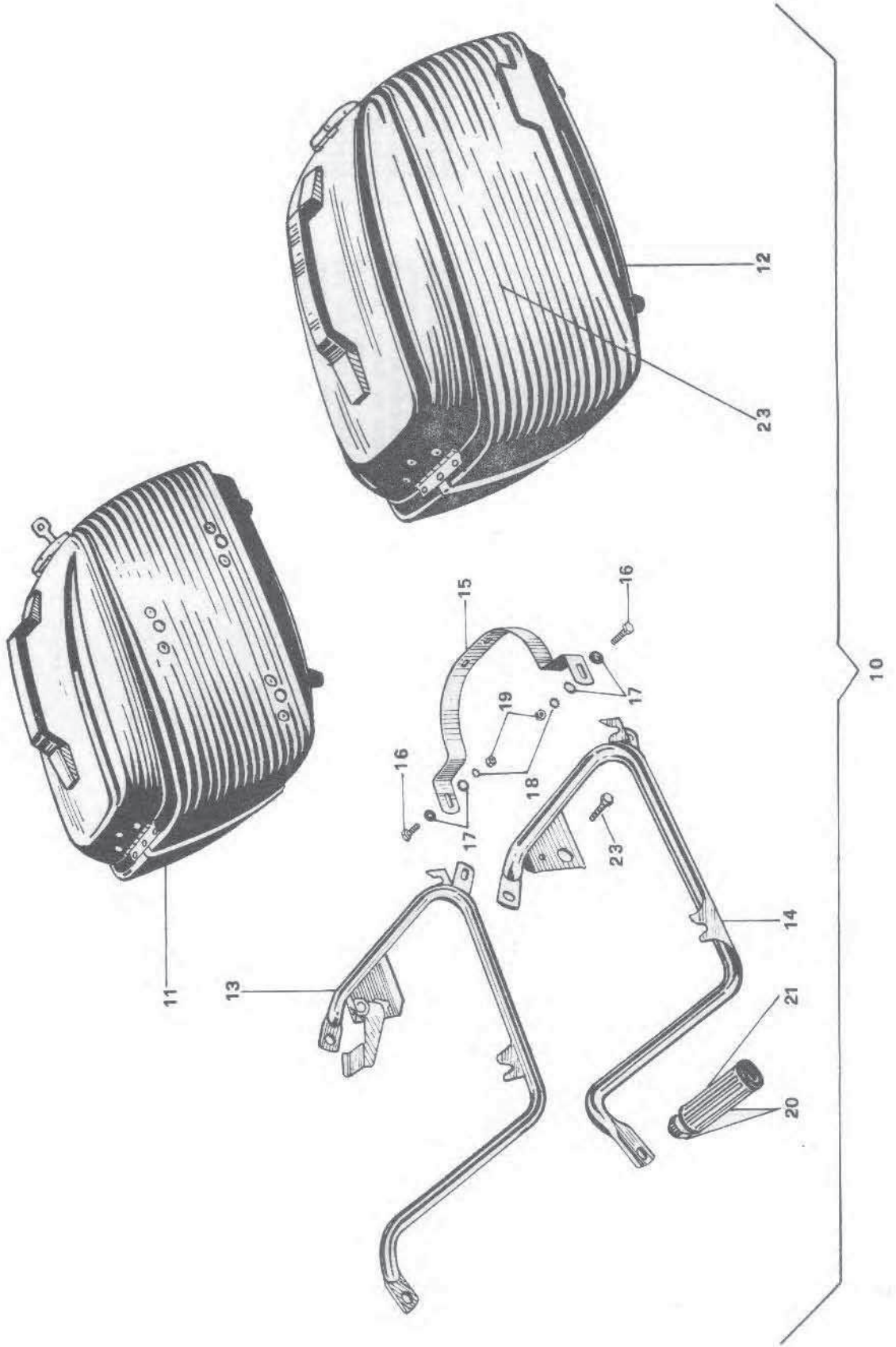




PLATE 20 MODEL: V 850 Eldorado
Accessories

GROUP: Fairing - Windshield

Fig. N.	Order N.	DESCRIPTION	Qty	Notes
10	12 57 53 21	Fairing c/w windshield and attachments	1	
11	12 57 54 21	Fairing only	1	
12	12 57 72 50	Windscreen only	1	
13	12 57 79 40	Gasket, fairing to windshield	1	
14	12 57 82 40	Brace, stiffening	1	
15	12 57 84 50	Clamp, fairing gasket	1	
16	98 26 05 25	Screw, windshield to fairing securing	5	
17	95 00 02 05	Washer, windshield to fairing screw	5	
18	92 60 22 05	Nut, windshield to fairing screw	5	
19	12 57 55 40	Clamp, fairing	2	
20	98 26 06 25	Screw, fairing to clamp	4	
21	93 11 00 60	Spacer, fairing to clamp	4	
22	12 57 78 40	Washer, outer, fairing to clamp screw	4	
23	45 21 24 00	Washer, rubber, fairing to camp screw	4	
24	95 02 11 06	Washer, flat, fairing to clamp screw	4	
25	92 60 24 06	Nut, fairing to clamp screw, and bracket screw	10	
26	12 57 86 21	Bracket, fairing	8	
27	98 05 43 16	Screw, fairing to bracket	8	
28	92 60 22 06	Nut, fairing to bracket screw	4	
29	12 57 89 21	Gasket, fairing to headlight	1	
30	98 05 43 16	Bolt, headlight to bracket	2	
31	91 18 07 07	Distance piece	2	

TAVOLA 20

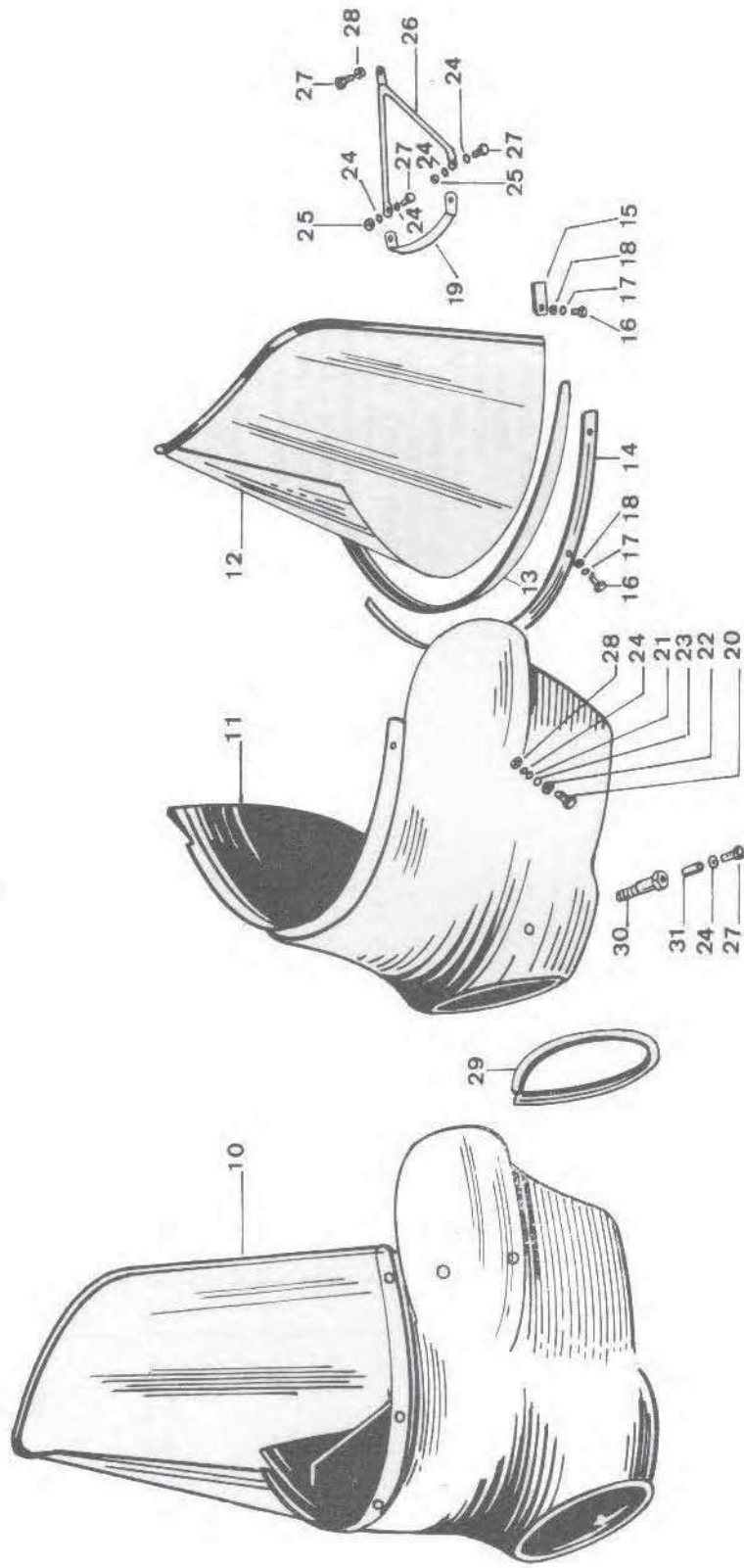




PLATE 21 MODEL: V 850 Eldorado
Accessories

GROUP: Turn light indicators

Fig. N.	Order N.	DESCRIPTION	Qty	Notes
FOR MOTORCYCLES WITHOUT SADDLEBAGS				
A	12 75 50 05	Turn light indicator assembly	1	Lucas
10	12 75 13 05	Bracket, front, R/H indicator	1	
11	12 75 14 05	Bracket, front, L/H indicator	1	
12	98 05 36 90	Screw, front bracket securing	2	
13	91 18 13 09	Distance piece, L/H	1	
14	12 75 06 05	Lamp, c/w cable and screws, front and rear	4	{ Front lamp cable l. 17.7" { Rear lamp cable l. 10.6"
15	93 45 01 29	Bulb, turn light indicators (12V — 21W)	4	
16	12 75 07 05	Casing, front lights cable	2	
17	12 75 08 05	Casing, rear lights cable	2	
18	12 70 29 00	Rubber cap	4	
19	13 43 68 40	Bracket, cross, rear	1	
20	98 05 43 12	Screw, rear bracket securing	4	
21	95 00 02 06	Washer, rear bracket screw	4	
22	92 60 22 06	Nut, rear bracket securing screw	8	
23	12 75 03 00	Switch c/w cables	4	
24	10 75 05 50	Flasher unit (12V — 42W)	1	
25	98 05 43 16	Screw, flasher unit securing	1	
26	95 10 01 21	Washer, flat, flasher unit screw	1	
27	92 63 01 06	Nut, flasher unit screw	1	
28	93 40 03 63	Faston connection	1	
29	55 74 96 00	Bayonet coupling	2	for additional front lights
30	93 40 05 48	Socket, bayonet coupling	2	For additional rear lights
31	13 76 82 00	Cap for bayonet coupling	2	On cable ends
FOR MOTORCYCLES WITH SADDLEBAGS				
B	12 75 51 05	Complete assembly of turn light indicators	1	Lucas
32	12 75 17 05	Bracket, rear lamps holder	2	
33	98 05 44 16	Screw, rear lamps holder securing	2	
34	95 00 02 08	Washer, rear lamps securing screws	2	
35	95 02 11 08	Washer, toothed, bracket securing screws	2	
36	92 60 22 08	Nut, bracket securing screws	2	

TAVOLA 21

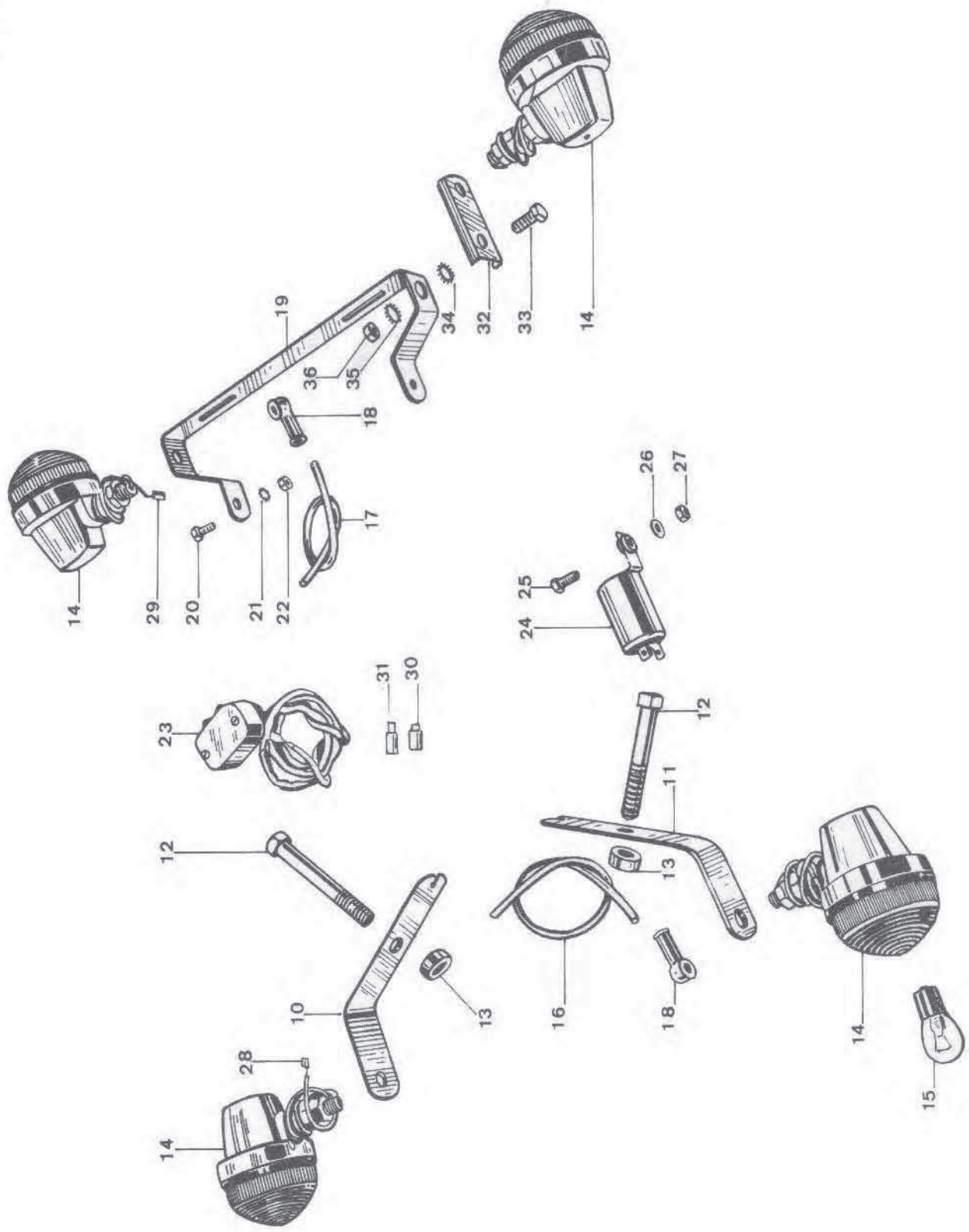


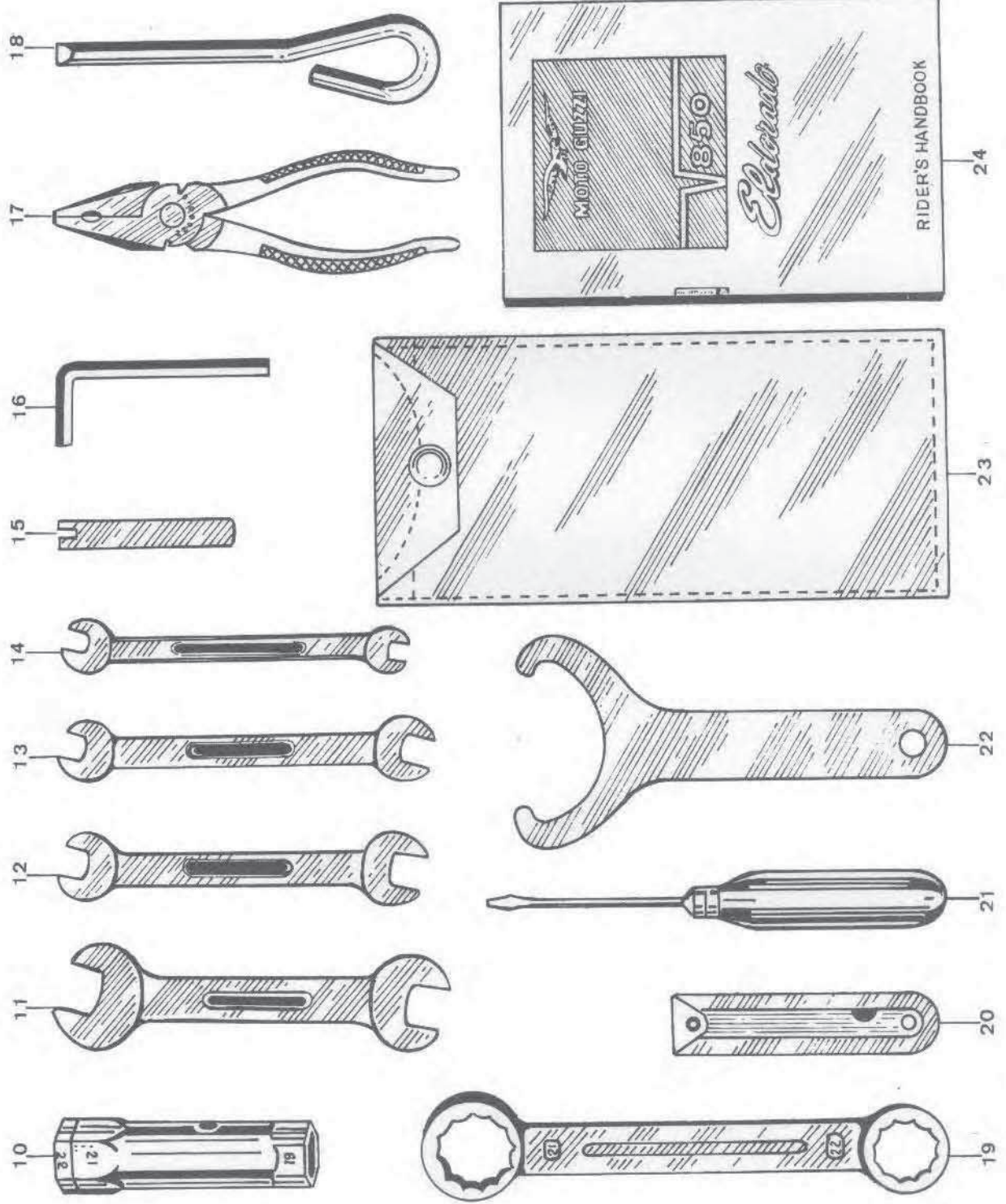


PLATE 22 MODEL: V 850 Eldorado

GROUP: Tool kit and gasket sets

Fig. N.	Order N.	DESCRIPTION	Qty	Notes
10	55 90 19 00	Wrench, box 19/21/22, mm	1	
11	12 90 10 00	Wrench, open ended 17/19 mm	1	
12	10 90 06 00	Wrench, open ended 13/14 mm	1	
13	12 90 08 00	Wrench, open ended 10/11 mm	1	
14	12 90 03 00	Wrench, open ended 7/8 mm	1	
15	55 90 04 00	Wrench, open ended, tappet adjusting	1	
16	55 90 24 00	Allen key, 5 hex	1	
17	25 90 55 00	Pliers, universal	1	
18	55 90 50 00	Screwdriver	1	
19	12 90 11 01	Wrench, ring, double 22/27 mm	1	
20	12 90 90 90	Feeler gauge	1	
21	09 90 51 00	Screwdriver	1	
22	12 91 27 00	Wrench, damper adjusting tool	1	
23	12 91 45 00	Tool bag	1	
24		Instruction booklet	1	
A	13 99 90 60	Gasket set	1	
		12 02 37 00	13 02 08 00	12 01 18 00
		12 00 12 00	12 00 36 00	12 15 91 00
		12 15 32 00	12 00 76 00	14 20 11 10
		12 20 15 00	12 20 77 00	12 35 26 00
		12 35 29 00	12 35 07 00	12 71 59 00
B	12 99 95 00	Seal set	1	
		90 40 38 50	90 40 53 68	90 40 25 35
		90 40 70 85	90 40 35 50	90 40 30 40
		90 40 38 50	90 40 32 49	

TAVOLA 22



PARTS FOR 850 cc CALIFORNIA POLICE ONLY

(CHANGES REFERRED TO THE « ELDORADO » PLATES IN THIS CATALOGUE)



V 850 cc. CALIFORNIA - ADDITIONS AND CHANGES TO PLATES 1-5-6-7-9-10

REFERENCE TO ELDORADO PARTS CATALOGNE - 1 edition				NEW PLATES FOR CALIFORNIA POLICE			
Plate N.	Fig. N.	Order N.	Fig. N.	Order N.	DESCRIPTION	O.ty	
1			10	13029840	Leg protection, on rocker heads	2	
5	10	13100221	11	13100240	Tank, fuel	1	
5	12	12103900	12	54103901	Filler cap, fuel tank	1	
5	31	98054522	13	98054530	Screw, muffler securing	2	
5	34	12123020	14	13123040	Muffler, R/H	1	
5	35	12122920	14	13122940	Muffler, L/H	1	
6	12	12607500	15	13607540	Cable, throttle	1	
6	22	12608300	16	13608340	Cable, easy start	1	
6	13	12607900	17	13607940	Adaptor, carburetor cables	1	
6	14	12807100	18	12807100	Cover, adaptor front end	1	
6	15	12807200	19	12807200	Cover, adaptor, rear end	1	
6	20	95790233	20	95790233	Screw, cable adjusting	1	
6	21	92700071	21	92700071	Locknut, cable adjusting screw	1	
7	27	13093063	22	13093046	Cable, clutch	1	
7	10	12250906	23	14741300	Cap, rubber, clutch control switch	1	
9			24	13250941	Lever, gearshift	1	
9			25	91111520	Bushing, gearshift lever	1	
9			26	94020060	Greaser, gearshift lever	1	
9			27	95100142	Washer, lever fixing nut	1	
9			28	95129250	Washer, shakeproof, lever fixing nut	1	
9			29	92630106	Nut, gearshift lever	1	
9	13	13251165	30	13251240	Shaft, c/w starter pin lever	1	
9	20	13257860	31	13257845	Rod, c/w fork and nut	1	
9	19	13257960	32	13257945	Rod, bare	1	
9	22	13258260	33	13258245	Lever, quadrant control	1	
9			34	13258240	Lever, on shaft	1	
9			35	98106021	Screw, lever fixing	2	
9			36	13257640	Tie rod, complete	1	
9			37	13257740	Tie rod, bare	1	
9			38	95740171	Fork, tie rod	3	
9			39	92700073	Nut, adjusting on tie rod	1	
9			40	95780265	Pin, fork	3	
9			41	95129110	Washer, shakeproof, for pins	3	
9			42	95500222	Split pin, fork pins	3	
9			43	95100173	Washer, tie rod	1	
9			44	95500325	Split pin, tie rod	1	

TAVOLA 1

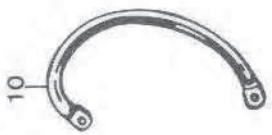


TAVOLA 5

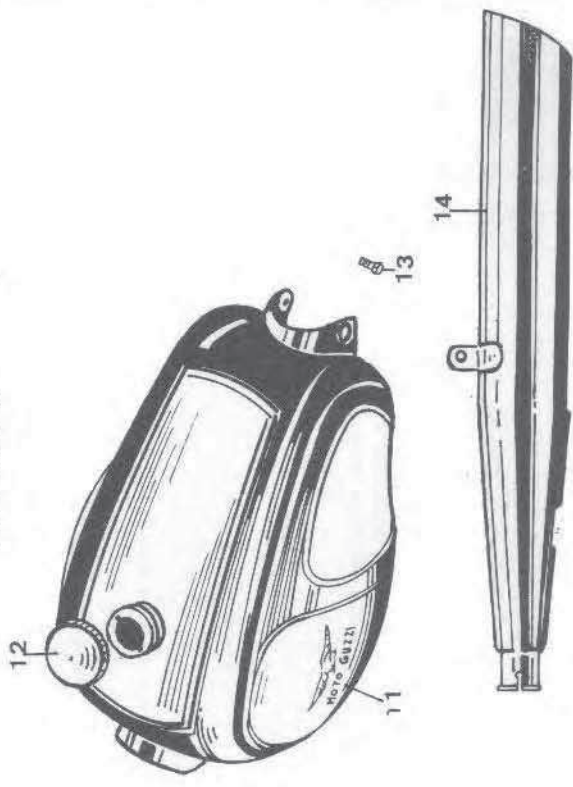


TAVOLA 6

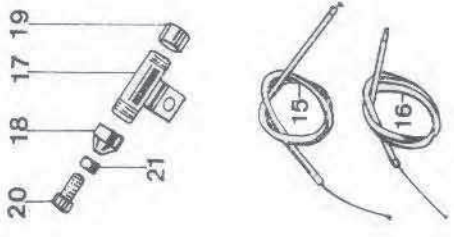
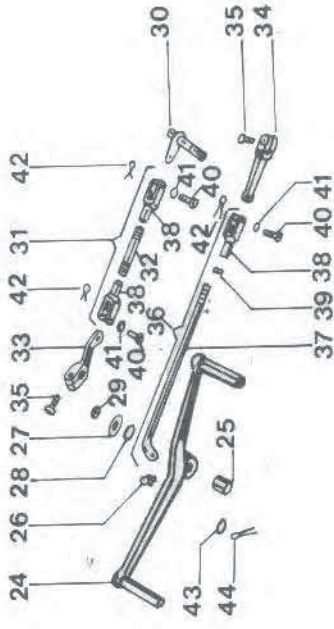


TAVOLA 7



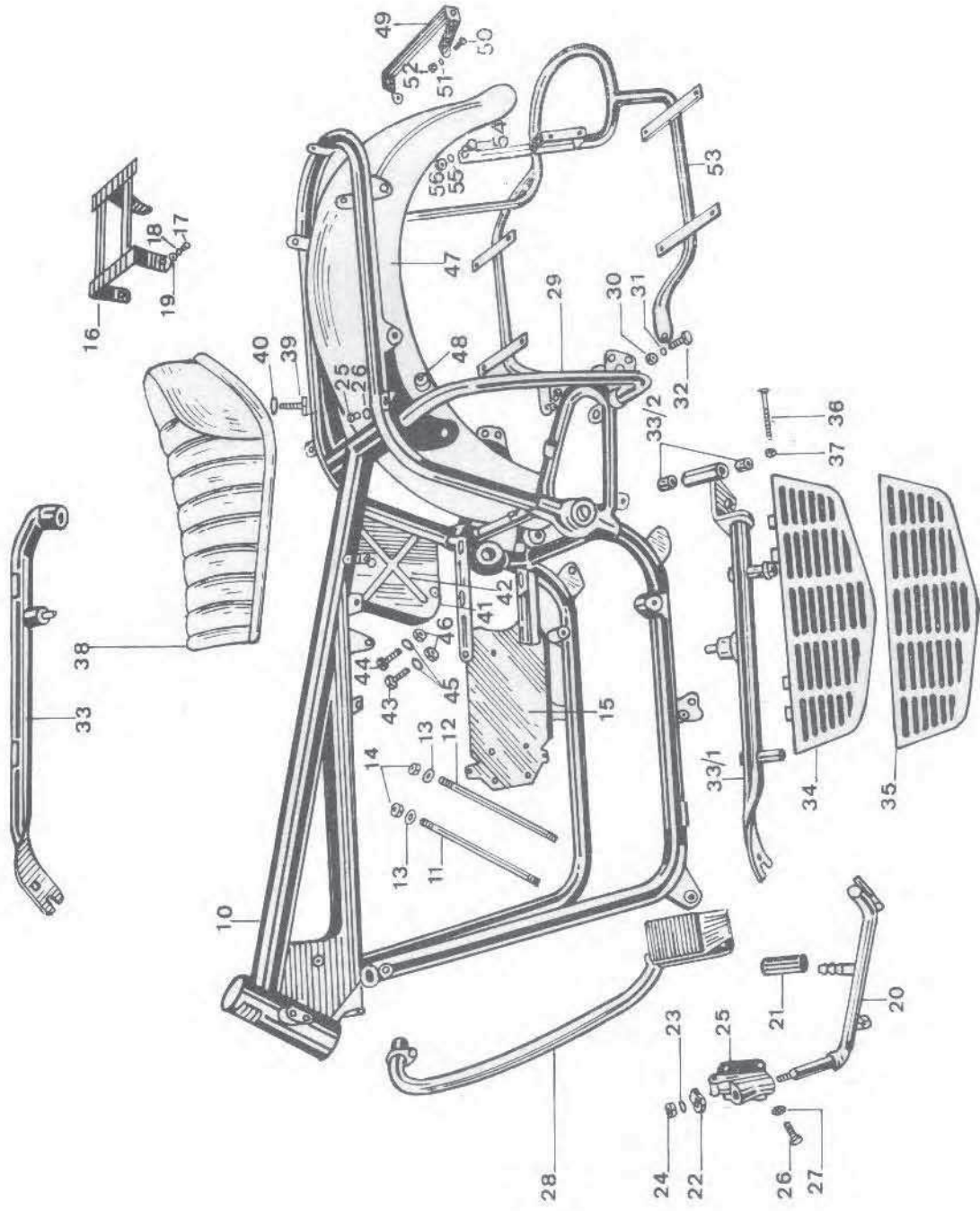
TAVOLA 9





V 850 cc. CALIFORNIA - ADDITIONS AND CHANGES TO PLATE 11

REFERENCE TO ELDORADO PARTS CATALOGNE - I edition		NEW PLATES FOR CALIFORNIA POLICE				
Plate N.	Fig. N.	Order N.	Fig. N.	Order N.	DESCRIPTION	QTY
11	10	12400125	10	13400140	Frame	1
11	15	13429600	11	13429540	Bolt, engine to frame, front	1
11	12	95100415	12	13429640	Bolt, engine to frame, rear	1
11	11	92700128	13	95100415	Washer, engine to frame securing bolts	4
11	21	12418200	14	92700128	Nut, engine to frame securing bolts	4
11		13418260	15	13418240	Bracket, battery	1
11			16	13469441	Radio carrier	1
11			17	98054314	Screw, radio carrier	3
11			18	95021106	Washer, radio carrier screws	3
11			19	92602206	Nut, radio carrier screws	3
11	32	12432000	20	13432040	Side stand	1
11			21	13432640	Pedal, side stand	1
11			22	13432741	Lug, side stand	1
11			23	95100311	Washer, side stand fixing nut	1
11			24	92630110	Nut, side stand to bracket	1
11			25	13433440	Bracket, side stand	1
11			26	98054414	Screw, bracket	4
11			27	95021108	Washer, bracket screws	4
11	52	12450400	28	13450440	Safety bar, front, L/H	1
11			29	13458240	Safety bar, rear, R/H	1
11			30	13458840	Safety bar, rear, L/H	1
11			31	95021110	Nut, top, rear bars securing	4
11			32	92602210	Washer, safety bar top securing nut	4
11			33	98054530	Screw, bottom bars securing	2
11			33/1	13455140	Bracket, footboard, R/H	1
11			33/2	13455240	Bracket, footboard, L/H	1
11			34	91111416	Bushing, L/H footboard bracket	2
11			35	13443440	Footboard, with mat	2
11			36	13447040	Mat, footboard	2
11			37	98107035	Screw, footboard	4
11				92700073	Nut, footboard securing screw	8

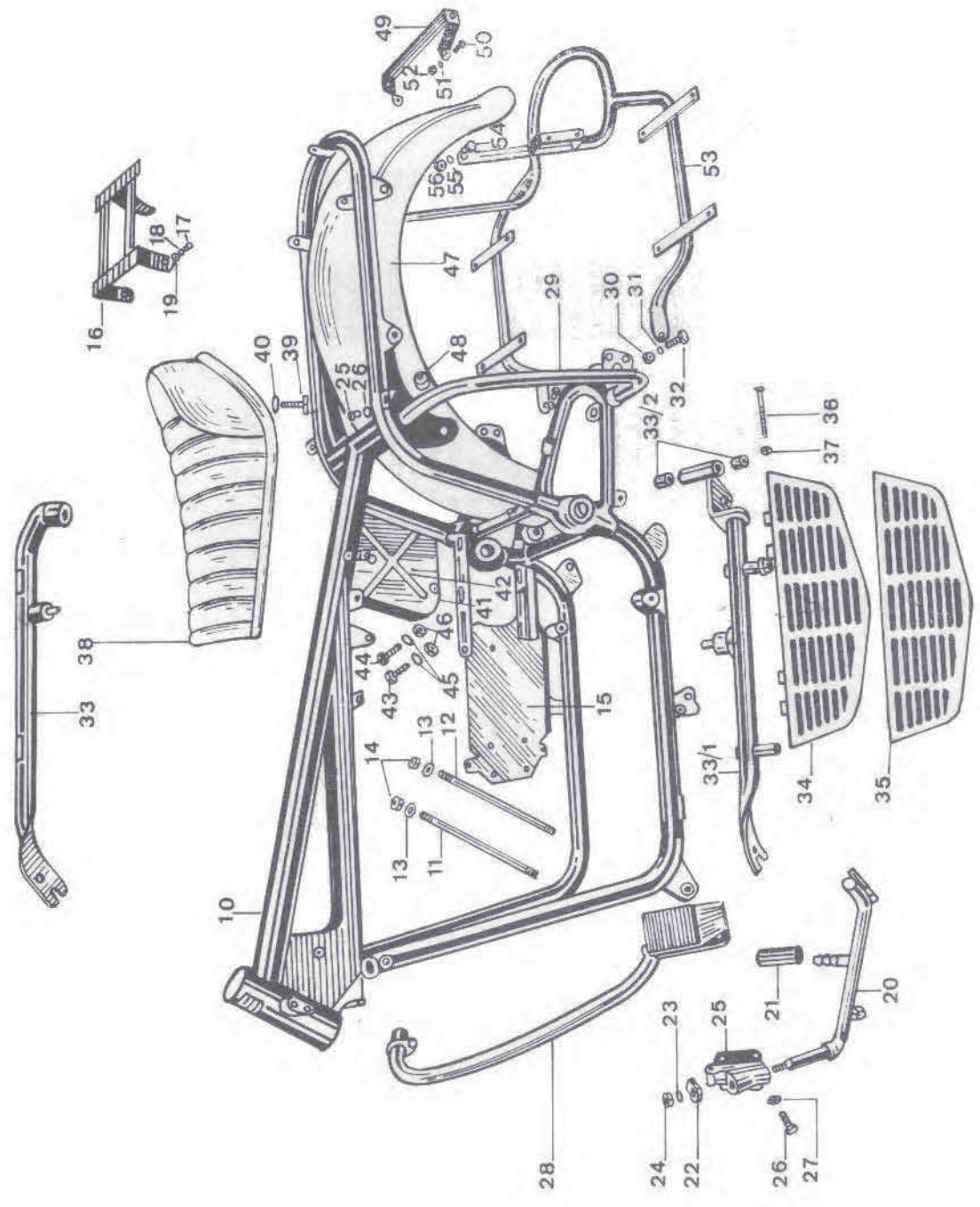




V 850 cc. CALIFORNIA - ADDITIONS AND CHANGES TO PLATES 11-19

REFERENCE TO ELDORADO PARTS CATALOGNE - I edition		NEW PLATES FOR CALIFORNIA POLICE				
Plate N.	Fig. N.	Order N.	Fig. N.	Order N.	DESCRIPTION	Q.ty
11	60	12460502	38	13460542	Seat	1
11			39	98054416	Screw, rear seat securing screw	2
11			40	95021108	Washer, spring toothed, for seat securing screw	2
11	55	13476025	41	13476025	Tool box, R/H	1
11			42	13917525	Decal, tool box /	1
11	58	98106017	43	98106017	Screw, long, tool box securing	1
11	59	98024312	44	98054312	Screw, short, tool box securing	2
11	46	95100130	45	95100130	Washer, tool box securing screws	6
11	47	92602206	46	92602206	Nut, tool box securing screws	3
11	70	13437020	47	13437040	Fender, rear	1
11			48	91551081	Grommet, on rear fender	2
11			49	13436840	Bracket, rear turn lights	1
11			50	98054312	Screw, turn lights bracket	4
11			51	95000206	Washer, turn light bracket screw	8
11			52	92602206	Nut, turn light bracket screw	4
19	{ 13	13485000	53	13485040	Attachment, saddle bags	1
	{ 14	13486500	54	98054522	Screw, top saddlebag attachment	2
19			55	95100311	Washer, saddlebag attachment screw	2
19			56	92602210	Nut, saddle bag attachment top screw	2

TAVOLA 11





V 850 cc. CALIFORNIA - ADDITIONS AND CHANGES TO PLATES 12-13

REFERENCE TO ELDORADO
PARTS CATALOGNE - I edition

NEW PLATES FOR CALIFORNIA POLICE

Plate N.	Fig. N.	Order N.	Fig. N.	Order N.	DESCRIPTION	Q.ty
12			10	13751340	Bracket, R/H side lamp and turn light unit	1
12			11	13751440	Bracket, L/H, side lamp and turn light unit	1
12			12	98054420	Screw, bracket securing	2
12			13	98054440	Screw, bracket securing to headlight	2
12			14	95000208	Washer, bracket securing screws to headlight	10
12			15	92602208	Nut, bracket securing screws to headlight	6
12			16	13506840	Bracket, R/H, windshield	1
12			17	13506940	Bracket, L/H, windshield	1
12			18	98053690	Screw, turn light bracket to clamp	2
12	25	98053675	19	91181309	Spacer, clamp to bottom yoke	2
12			20	95101430	Washer, clamp securing screw to bottom yoke	2
12			21	13530140	Steering damper unit	1
12			22	13531640	Lug, bottom yoke to damper	1
12			23	98054425	Screw, lug securing to bottom yoke	1
12			24	95000208	Washer, flat, lug screw	1
12			25	95021108	Washer, toothed, lug screw	1
12			26	13530240	Steering damper	1
12			27	14530800	Spacer, damper	1
12			28	95100142	Washer, steering damper	2
12			29	98052335	Screw, damper securing	2
12			30	95021106	Washer, steering damper and band screw	4
12			31	13531440	Band, inner damper securing	1
12			32	13531040	Band, outer, damper securing	1
12			33	98054316	Screw, short, front band securing	1
12			34	98054320	Screw, long, rear band securing	1
12			35	92602206	Nut, rear damper fixing screw, rear, and bands to frame	3
12	50	13494320	36	12434325	Front fender	1

TAVOLA 13

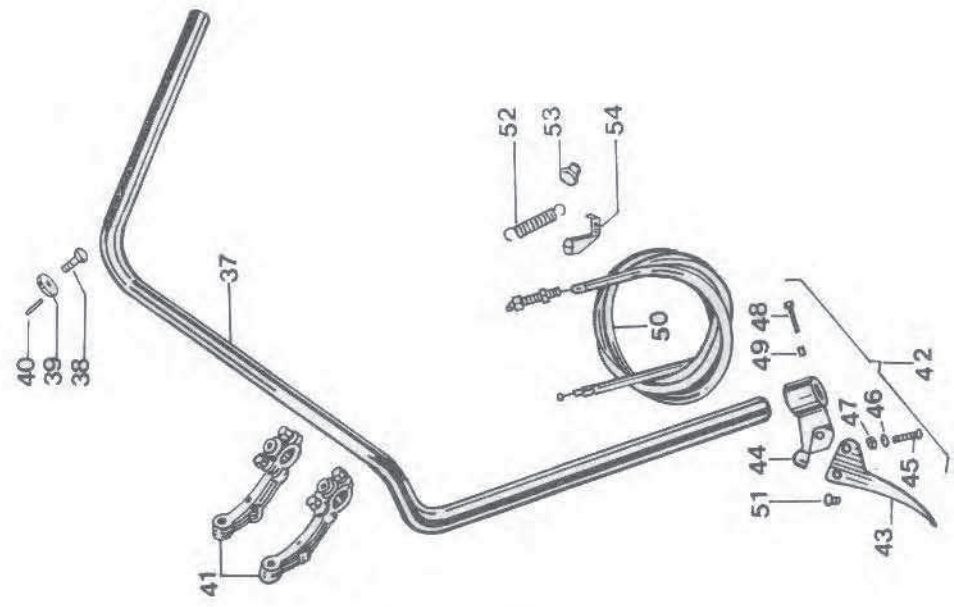
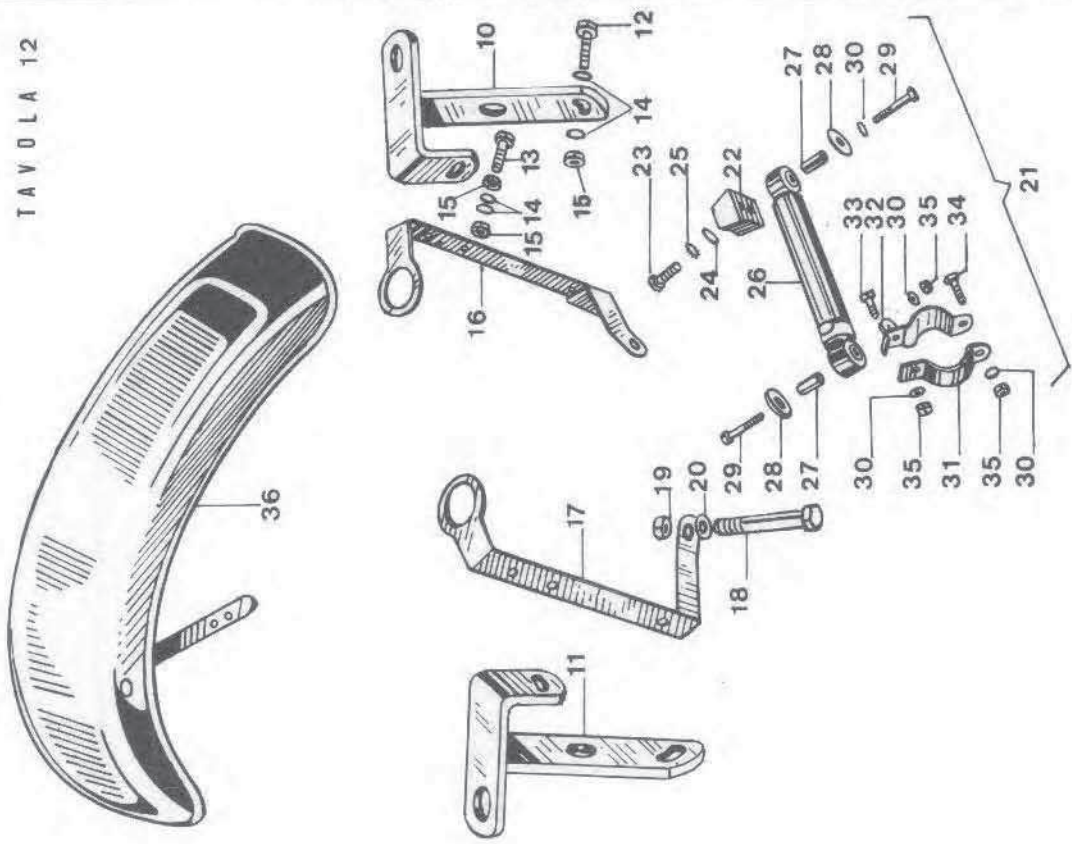


TAVOLA 12





V 850 cc. CALIFORNIA - ADDITIONS AND CHANGES TO PLATES 14-15-16-17

REFERENCE TO ELDORADO PARTS CATALOGNE - I edition		NEW PLATES FOR CALIFORNIA POLICE	
Plate N.	Fig. N.	Order N.	Fig. N.
14	35	13761521	10
14	36	13501500	11
14	22	10744900	12
14	23	10744902	13
14			14
14			15
14			16
14			17
14			18
14			19
14			20
14			21
14	39	90706076	22
14			23
14			24
14			25
14			26
15	27/1	13625421	27
16	39	12675405	28
16			29
16	40	12677005	30
16			31
16			32
16			33
16			34
16			35
16			36
16			37
16			38
16			39
16			40
16			41
16			42
16			43
17			44

Q.ty

DESCRIPTION

Speedometer
 Instrument panel
 Bracket, instrument panel
 Warning light, amber, neutral
 Glass, orange, neutral indicator
 Warning light, red oil pressure and generator charge
 Warning light, red, front headlamps and high beam
 Glass, red, front red lamps indicators, high beam, oil pressure
 Warning light, green, right and left turn lights
 Glass, right and turn lights indicator
 Cutout, courtesy light and coil disconnection
 Switch, rear flash lights, parking
 Washer, indicators (OR 2031)
 Bulb, indicators (12 V - 3 W)
 Bracket, microphone
 Screw, microphone bracket
 Washer, microphone bracket screw
 Cable, front brake
 Spindle, rear brake pedal
 Lever, brake spindle
 Screw, rear brake pedal spindle
 Pedal, rear brake
 Rubber, rear brake pedal
 Greaser, rear brake pedal
 Washer, shakeproof, brake pedal
 Washer, brake pedal nut
 Nut, rear brake pedal
 Rod, rear brake, complete
 Rod, rear brake, bare
 Fork, rear brake rod
 Nut, rear brake rod
 Bolt, tie rod to lever
 Washer, tie rod bolt
 Split pin, tie rod bolt
 Grounding cable, starter solenoid

1
1
2
1
1
2
2
4
2
2
2
2
7
7
1
1
2
2
1
1
1
1
1
1
1
1
1
1
1
1
2
2
2
2
2
2
2
2
2
2
2
1

TAVOLA 15

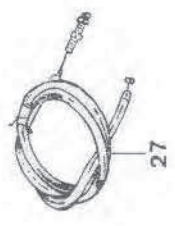


TAVOLA 17

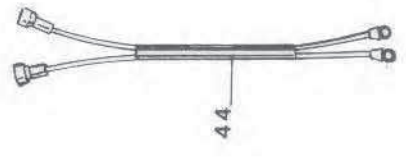


TAVOLA 14

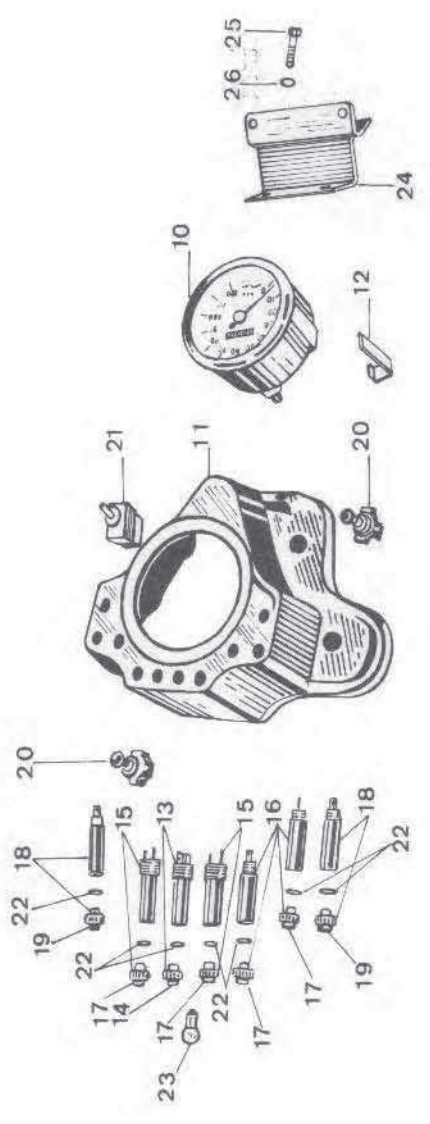
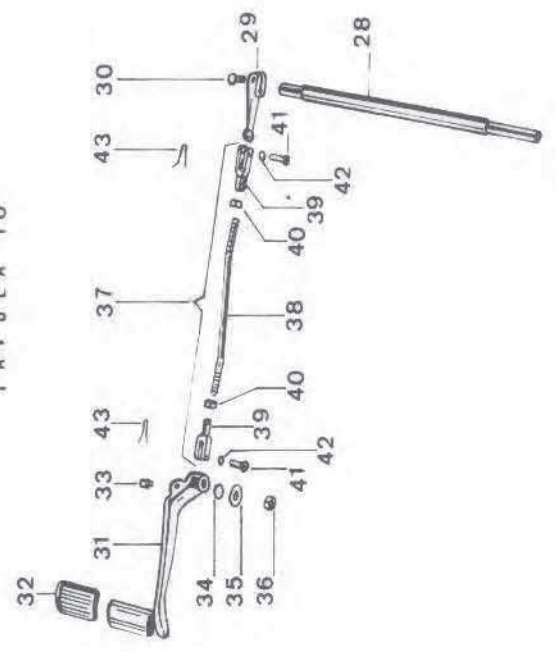


TAVOLA 16

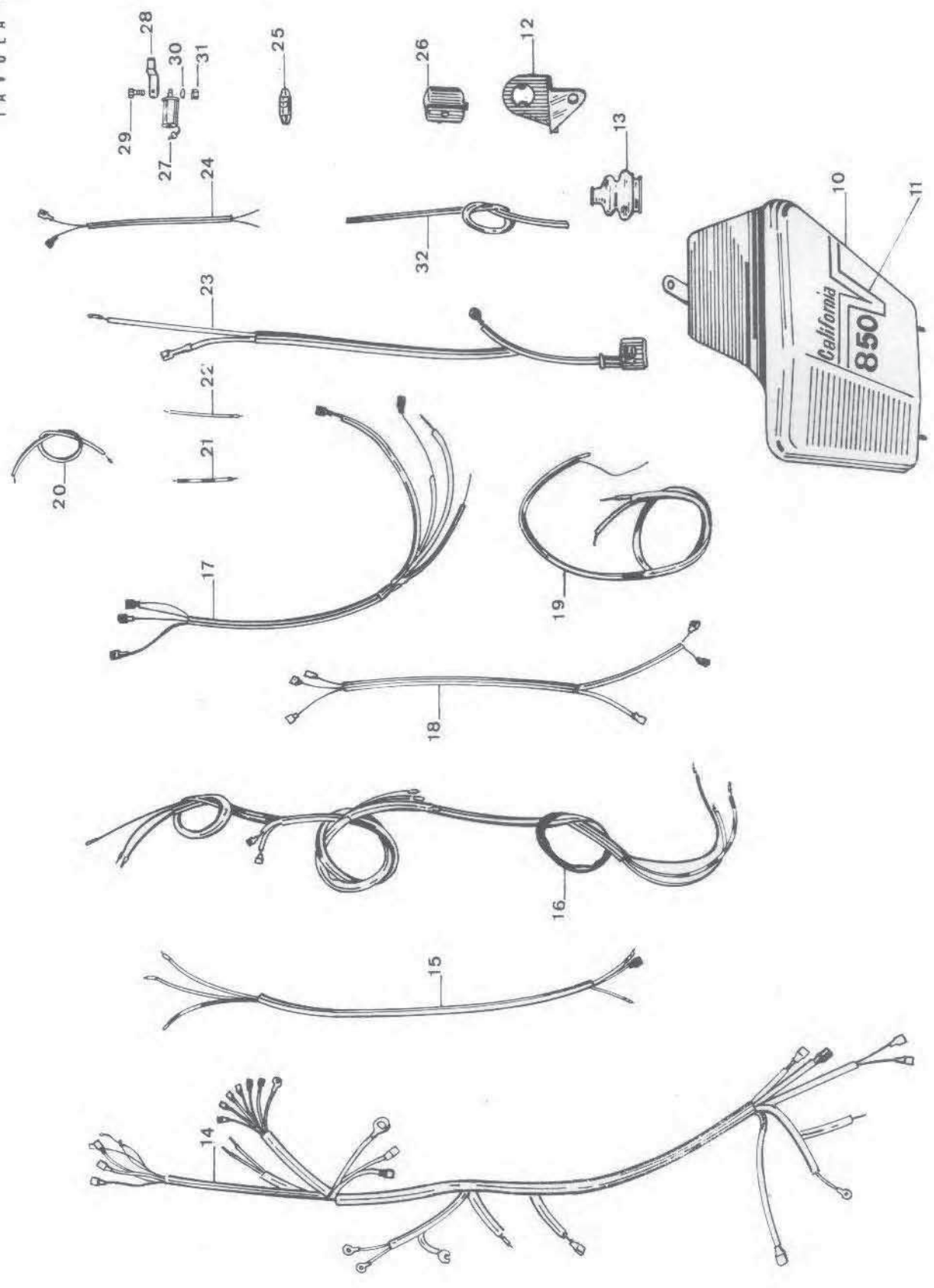




V 850 cc. CALIFORNIA - ADDITIONS AND CHANGES TO PLATE 18

REFERENCE TO ELDORADO PARTS CATALOGNE - I edition		NEW PLATES FOR CALIFORNIA POLICE				
Plate N.	Fig. N.	Order N.	Fig. N.	Order N.	DESCRIPTION	O.ty
18	22/1	13705226	10	13705225	Cover, battery, R/H	1
18	24/1	13705426	11	13705425	Cover, battery, L/H	1
18	51	13917827	12	13917825	Decal, battery cover	2
18		13917825	13	13736440	Plate, switch holder	1
18		12477107	14	13735840	Cap, protection	1
18	40	12747200	15	13747144	Cable harness, main	1
18	41		16	13747241	Cable, instrument panel to headlight	1
18			17	13747641	Cable, switch to fuse	1
18			18	13747841	Cable, terminal board to tail lamp	1
18			19	13748042	Cable, front terminal to indicator light	1
18			20	13748140	Cable, from courtesy light cutout	1
18			21	13748740	Cable, grounding, rear blue light	2
18			22	13748840	Cable, separate fuse to headlight terminal	1
18			23	13749340	Cable, rear blue light to rear terminal	2
18			24	13749441	Cable, battery to regulator	1
18			25	13748920	Cable, two-pole, front stop cutout	1
18			26	13742540	Fuse box	1
18			27	13742242	Switch, turn light, red front light and radio ground	1
18			28	13741540	Flasher unit, 12 V 60 W	1
18			29	98054316	Plate, flasher unit fixing	1
18			30	95000206	Screw, flasher unit securing	1
18			31	92602206	Washer, flasher unit securing screw	1
18			32	13746940	Nut, flasher unit securing screw	1
18					Casing, for cables from the ignition switch	1

TAVOLA 18



ADDITIONAL PLATES

ALL ITEMS LISTED IN PLATES 50-51-52-53-54, ARE NOT MOTO GUZZI PRODUCTION. ACCORDINGLY, THEIR SUPPLY IS SUBJECT TO THEIR AVAILABILITY AT THE MAKERS AND THEIR CURRENT PRICES



PLATE 50 MODEL: V 850 Eldorado

GROUP: Head and tail light

Fig. N.	Order N. Moto Guzzi	Order N. CEV	DESCRIPTION	Q.ty	Notes
10	12 74 05 21	4506	Headlight complete	1	
11	12 74 03 21	02768	Headlight rim	1	
12	55 74 03 28	3195	Rim fixing screw	1	
13	12 74 04 20	10649	Gasket	1	
14	12 74 03 20	02765	Sealed beam unit	1	
15	12 76 86 20	02787	Plug adaptor	1	
16	12 74 30 22	02931	Bottom terminal without fuses	1	
17	12 74 30 23	02929	Top terminal without fuses	1	
18	12 74 25 00	10570/25	Fuses 25 Ampère	9	
19	12 74 04 22	02921	Headlight body	1	
20	12 74 04 07	10548	Spheric washer	1	
21	12 74 04 08	10656	External toothed washer	2	
22	12 74 04 09	3395	Headlight fixing bolt	2	
23	12 74 09 20	9313,4	Tail lamp without bulb	1	
24	12 73 99 20	3397	Lens retaining screw	2	
25	12 74 17 20	7266	Reflex reflector lens	1	
26	13 74 17 21	4292	Gasket	1	
27	12 74 17 22	02792,16	Housing with cables	1	
28	12 74 17 23	6764	White window gasket	1	
29	12 74 17 24	7091	White window	1	
30	12 74 17 25	10447	Body mounting gasket	1	
31	12 74 17 26	3444	Circlips	2	
32	12 74 17 27	3615	Nut	2	
33	12 74 17 28	10536	Rear rubber cup	1	

TAVOLA 50

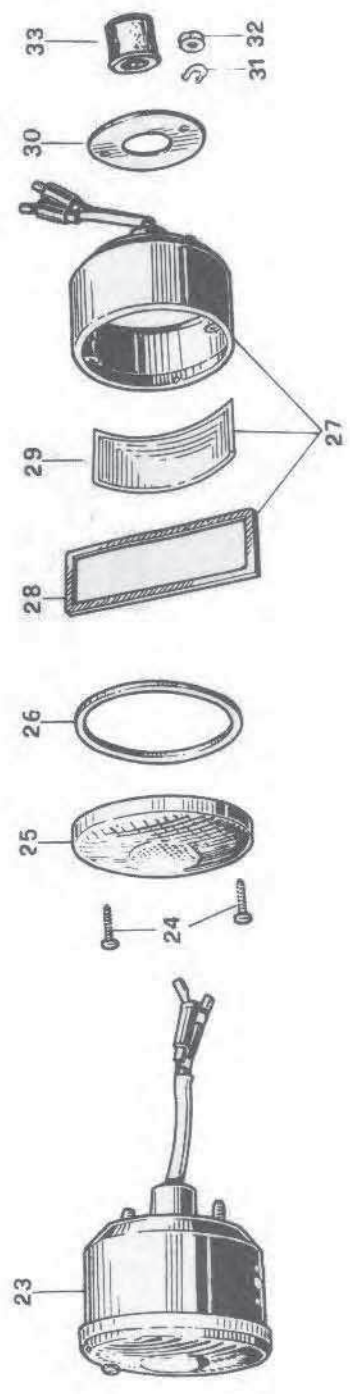
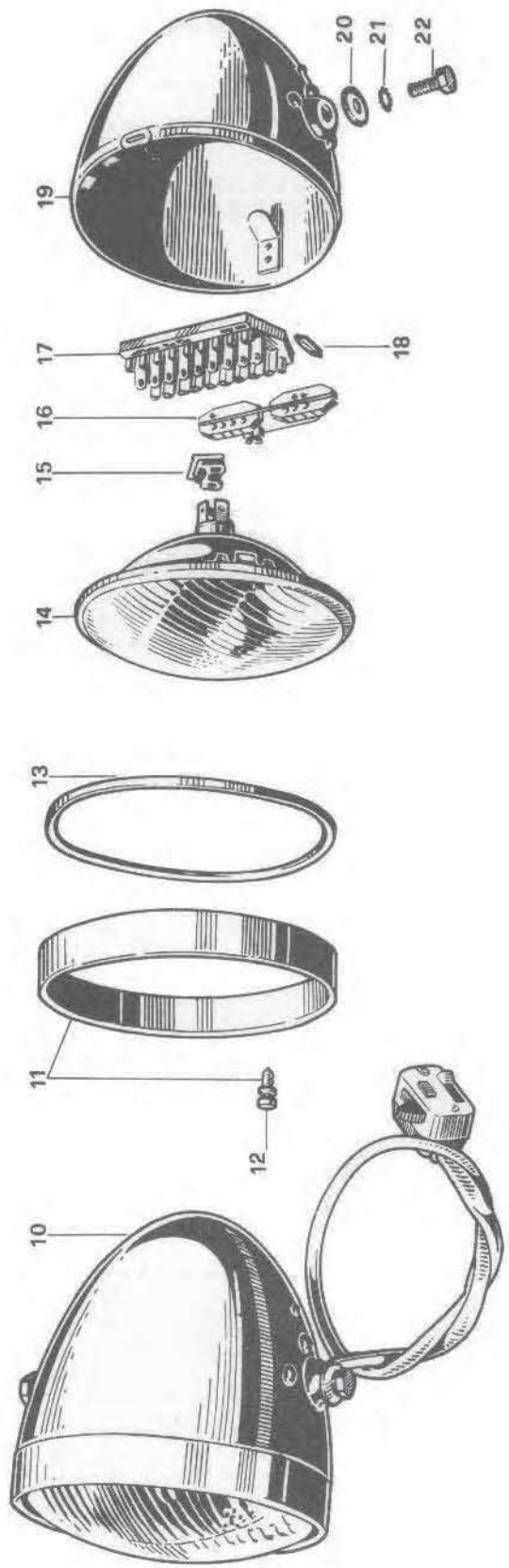




PLATE 51 MODEL: V 850 Eldorado

GROUP: Starter motor

Fig. N.	Order N. Moto Guzzi	Order N. Bosch	DESCRIPTION	Qty	Notes
A	12 73 07 05	0001157006	Starter motor	1	DF (L) 12V 0,5 PS
10	12 73 05 10	2004111071	Coil field ass.y	1	
11	12 73 05 11	2910551232	Screw, pole shoes securing	4	MBx10 DIN 63
12	12 73 05 12	2001016000	Insulating strip	1	
13	12 73 05 13	2005821107	Starting Ratchet Cover, c/w bush	1	
14	12 73 05 14	2000301023	Bushing, ratchet cover	1	
15	12 73 05 15	2001933080	Lever, operating	1	
16	12 73 05 16	1003410005	Screw, starting ratchet cover	1	
17	12 73 05 17	2916693005	Washer, insulating, operating lever	1	
18	12 73 05 18	2915051106	Nut, operating lever	1	
19	12 73 05 19	2004011025	Armature	1	
20	12 73 05 20	2000202030	Stop Ring, ratchet cover end	1	
21	12 73 05 21	2006209156	Starting Ratchet Ass.y, c/w bushing	1	
22	12 73 05 22	2000301040	Bush, starting ratchet ass.y	2	
23	12 73 05 23	2005851025	End Cover, c/w bush	1	
24	12 73 05 24	1000301001	Bush, end cover	1	
25	12 73 05 25	2001329900	Brush Holder, complete	1	
26	12 73 05 26	2007014018	Brush Set	1	
27	12 73 05 27	2004652005	Spring, brush	4	
28	12 73 05 28	2003410085	Stay Rod, ratchet and end cover securing	2	
29	12 73 05 29	1000100000	Flat Washer, stay screw	2	
30	12 73 05 30	2000505001	Terminal Flange	1	M4x6 DIN 84
31	12 73 05 31	2910021116	Screw, flange to brush holder	2	A 4 DIN 137
32	12 73 05 32	2916063005	Flat Washer, flange to brush holder screw	2	
33	12 73 05 33	0331302022	Starter Solenoid, c/w parts n. 35-36-37-38	1	
34	12 73 05 34	1003421000	Screw, cheese headed	2	
35	12 73 05 35	1330111000	Shim, 0,5 mm. (.019")	as required	
36	12 73 05 36	1330111001	Shim, 1 mm. (.039")	1	M5x20 DIN 84
37	12 73 05 37	1330516015	Cap, starter solenoid	2	B 5 DIN 127
38	12 73 05 38	2910021162	Screw, cap securing	2	B 8 DIN 427
39	12 73 05 39	2916693004	Washer, cap securing screw	2	BM 8 DIN 439
40	12 73 05 40	2916693007	Washer	2	
41	12 73 05 41	2915051107	Nut, hexagonal	2	
41	12 73 05 42	2007010012	Set of items for armature	1	

TAVOLA 51

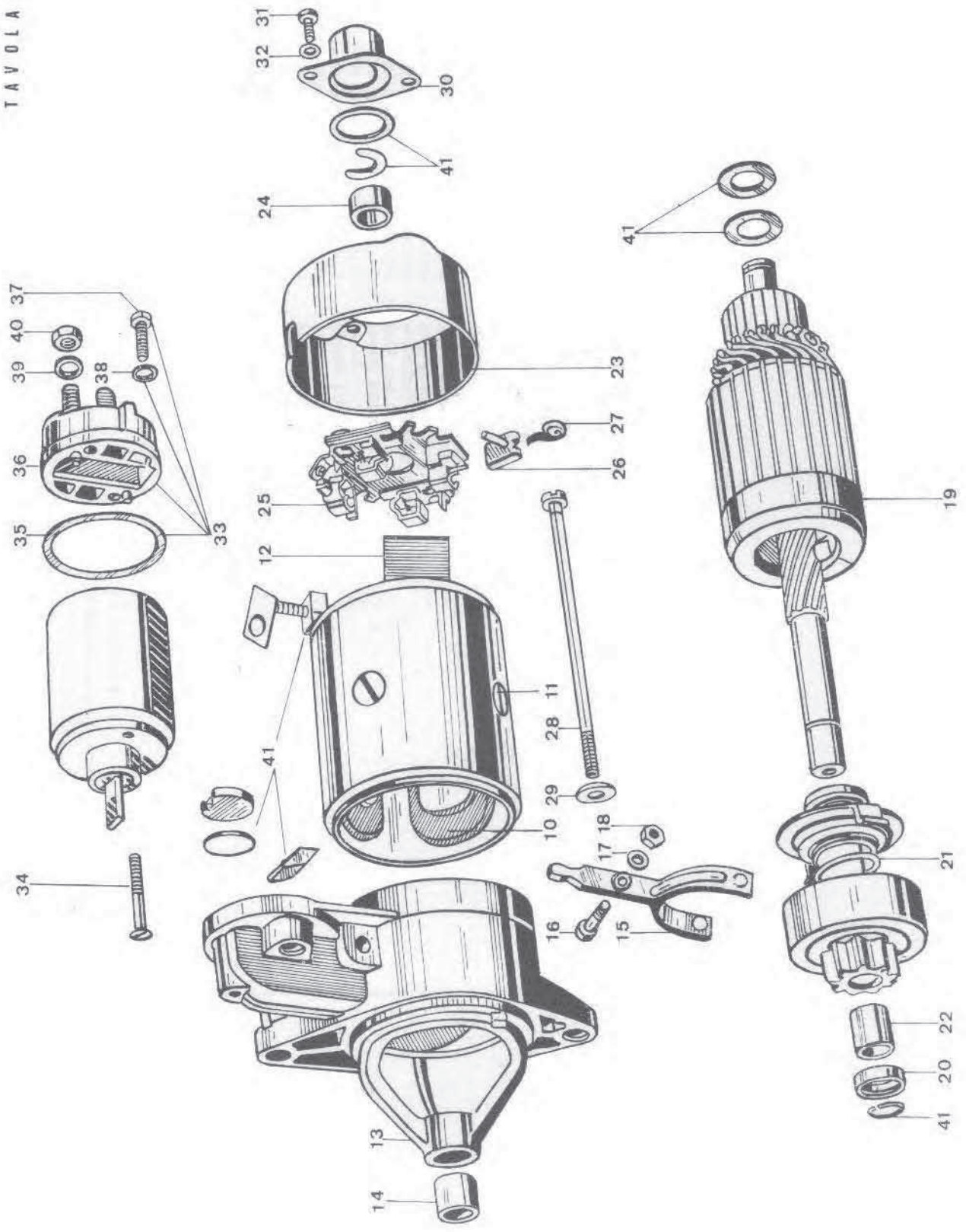




PLATE 52 MODEL: V 850 Eldorado

GROUP: Generator

Fig. N.	Order N. Moto Guzzi	Order N. Bosch	DESCRIPTION	Qty	Notes
A	12 70 02 05	0101302092	Generator	1	G (R) 14V 25A 23
10	12 70 01 10	{ 1104103024 1104103025	Field Coil { Campo 1 Campo 2	1	
11	12 70 01 11	3131007000	Insulating Strip	1	
12	10 70 02 24	2910551284	Screw, pole shoe securing	2	
13	12 70 01 13	1105823323	Front Cover	1	
14	12 70 01 14	1105853312	End Cover, complete	1	
15	12 70 01 15	1107014139	Brush Set	1	
16	12 70 01 16	1104652005	Spring, brush	2	
17	12 70 01 17	2910021116	Screw	2	
18	12 70 01 18	2916693003	Thrust washer	2	
19	12 70 01 19	1103410008	Stay rod	2	
20	12 70 01 20	1104013943	Armature, complete	1	
21	12 70 01 21	1900900305	Ball Bearing, front cover	1	
22	10 70 02 17	1900900303	Ball Bearing, end cover	1	
23	12 70 01 23	1100551040	Grease Retaining Ring	1	
24	12 70 01 24	1900023008	Woodruff Key	1	
25	12 70 01 25	1106602026	Pulley	1	
26	12 70 01 26	1101316042	Band, generator retaining	1	
27	12 70 01 27	2910021125	Cheese Headed screw	1	
28	12 70 01 28	2915051004	Nut, hexagonal	1	
29	10 70 02 53	3130558000	Protection Cap	2	
30	12 70 01 30	1107011506	Set of items for terminal connection	1	
31	12 70 01 31	1107010003	Set of items for assembling armature	1	

TAVOLA 52

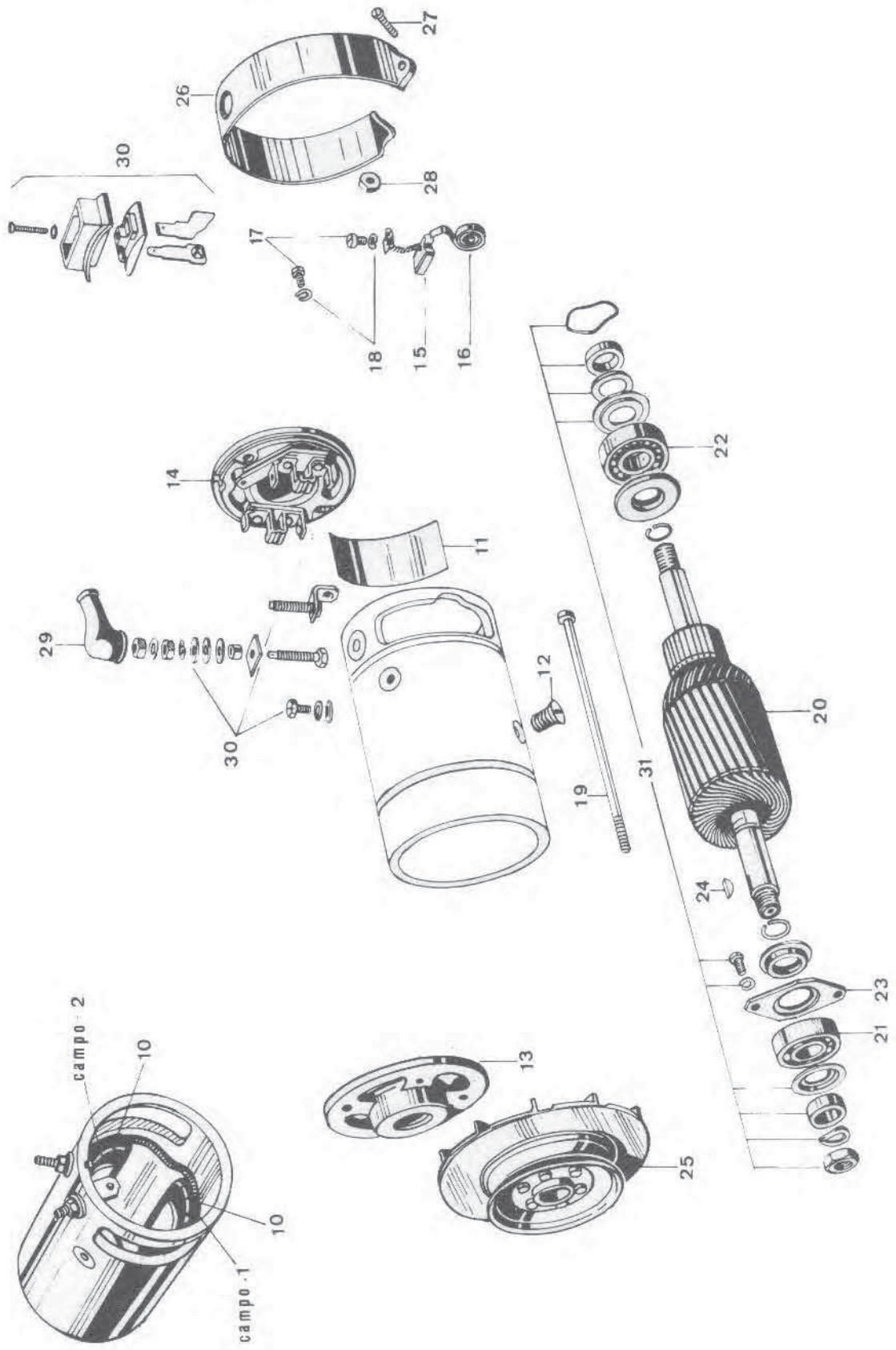


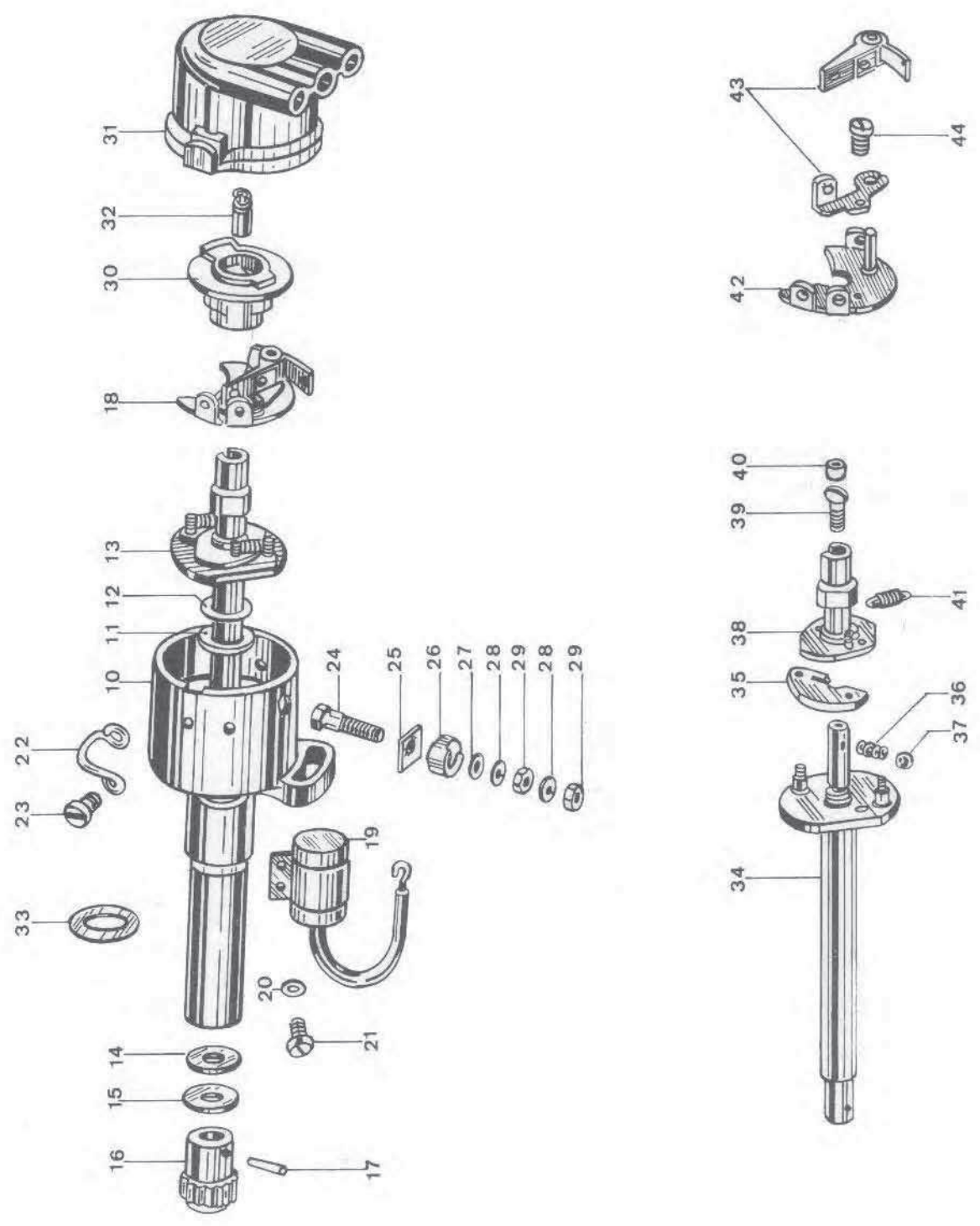


PLATE 53 MODEL: V 850 Eldorado

GROUP: Distributor

Fig. N.	Order N. Moto Guzzi	Order N. Marelli	DESCRIPTION	Q.ty	Notes
A	12 71 54 00	61012301	Distributor S 123 A, complete	1	
10	12 71 54 10	70411204	Housing with bushings	1	
11	12 71 54 11	95012194	Bakelite washer	2	
12	12 71 54 12	95005214	Flat washer	1	
13	12 71 54 13	71023702	Automatic advance ass.y.	1	
14	12 71 54 14	95210156	Spacer	1	
15	12 71 54 15	90059111	Shim (0,1 mm.)	as required	
	12 71 54 16	90059121	Shim (0,2 mm.)	as required	
	12 71 54 17	90059131	Shim (0,5 mm.)	as required	
16	12 71 62 00	71093810	Driving pinion	1	
17	95 51 03 18	90027061	Pinion securing peg	1	
18	12 71 54 20	70412101	Contact breaker unit, complete	1	
19	12 71 54 21	56181103	Condensor CE 29 D	1	
20	12 73 07 60	90024005	Spring washer	1	
21	12 71 54 23	90028031	Condensor fixing screw	1	
22	12 71 54 24	74327871	Cap securing spring	2	
23	12 71 54 25	95131104	Cap spring fixing screw	2	
24	12 71 54 26	91215101	Terminal bolt	1	
25	12 71 54 27	91024001	Insulating plate	1	
26	12 71 54 28	91023002	Insulating block	1	
27	12 71 54 29	90058352	Flat washer	2	
28	12 73 07 23	90024006	Spring washer	2	
29	12 71 54 30	95055026	Terminal nut	2	
30	12 71 54 31	70189503	Distributor rotor	1	
31	12 71 54 32	71037202	Distributor cap	1	
32	12 71 54 33	91066001	Carbon brush	1	
33	12 71 54 34	95207109	Seal	1	
34	12 71 54 35	71023802	Shaft	1	
35	12 71 54 36	71090010	Governor weight	2	
36	12 71 54 37	95226115	Ball retaining spring	1	
37	12 71 54 38	95163101	Ball	1	
38	12 71 54 39	71093301	Cam	1	
39	12 71 54 40	95114202	Cam retaining screw	1	
40	12 71 54 41	95200127	Cam felt pad	1	
41	12 71 54 42	95128044	Weight spring, 8 coils	1	
	12 71 54 43	95205175	Weight spring, 9 coils	1	
42	12 71 54 44	70412201	Plate complete with pin	1	
43	12 71 54 45	71006701	Contact breaker set	1	
44	12 71 54 46	95086108	Fixed point plate screw	1	

TAVOLA 53

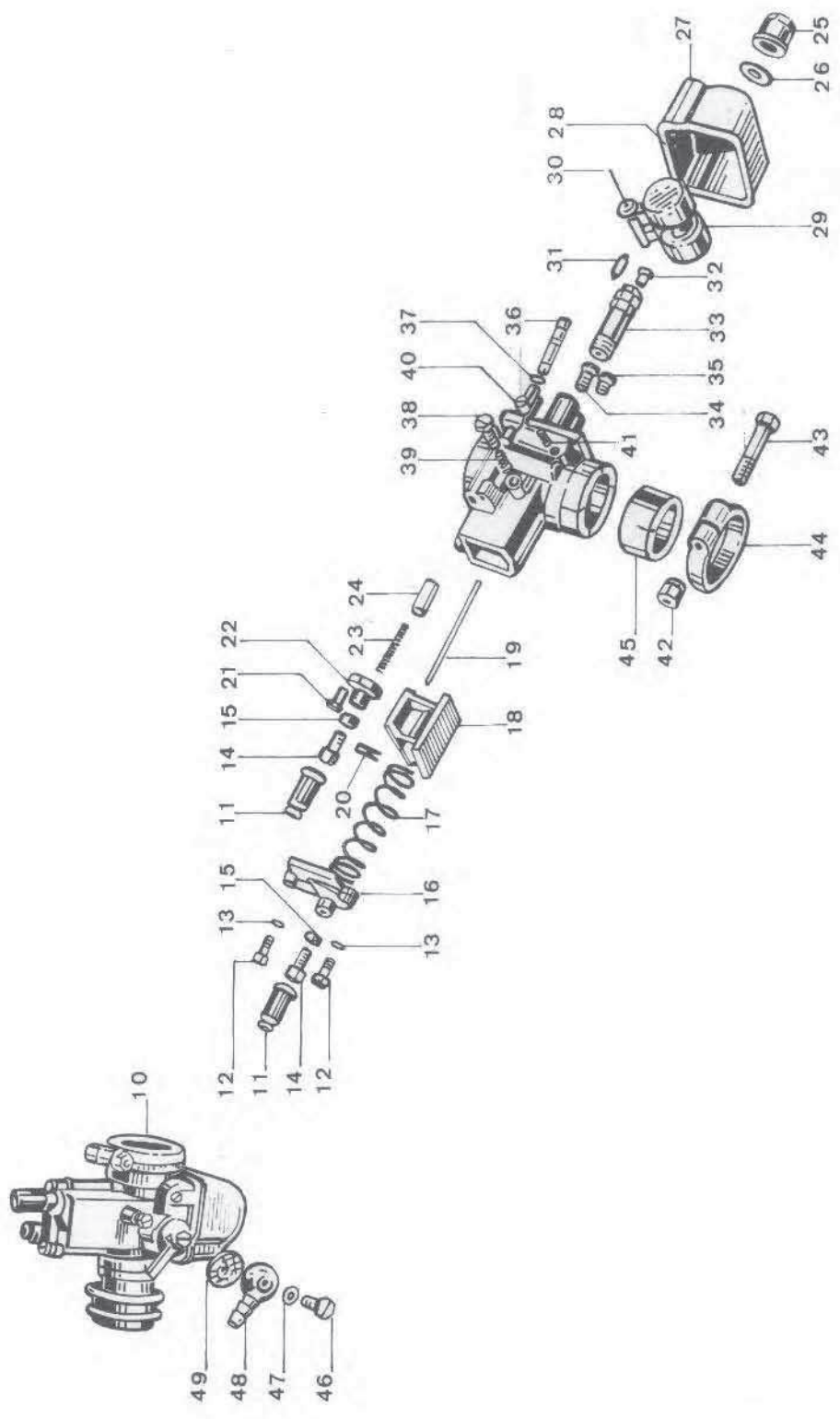




**PLATE 54 MODEL: V 850 Eldorado
Carburation**

GROUP: Carburetor

Fig. N.	Order N. Moto Guzzi	Order N. Dell'Orto	DESCRIPTION	Q.ty	Notes
10	13 11 26 02	3512	Carburetor, R/H, without cables	1	Dell'Orto VHB29CD Dell'Orto VHB29CS
11	13 11 26 03	3511	Carburetor, L/H, without cables	1	
12	13 93 70 00	14760006	Cap, cable ends protection	2	
13	13 93 28 00	39780036	Screw, mixture chamber cover securing	2	
14	13 93 29 00	50110023	Spring washer, cover screw	2	
15	12 93 72 00	11040037	Thumb screw, throttle and easy start cable adjusting	2	
16	12 93 73 00	16910027	Nut, thumb screw	2	
17	13 93 50 00	73380053	Cover, mixing chamber	1	
18	13 93 71 00	75580061	Spring, throttle slide	1	
19	13 93 75 00	74546064	Throttle slide	1	
20	13 93 77 00	74550508	Taper needle, type V	1	
21	55 93 85 85	14070021	Stop dowel, taper needle	1	
22	13 93 79 00	77450036	Screw, starter unit cover	1	
23	13 93 74 00	76370006	Cover, starter unit	1	
24	13 93 76 00	40430061	Spring, starter unit	1	
25	13 93 78 00	32380064	Valve, starter unit	1	
26	13 93 37 00	78800034	Bolt, float chamber securing	1	
27	13 93 39 00	40570030	Washer, float chamber bolt	1	
28	13 93 44 00	78810096	Body, float chamber	1	
29	13 93 34 00	74510030	Gasket, float chamber	1	
30	13 93 30 00	74500080	Float	1	
31	13 93 31 00	73460022	Pin, float	1	
32	13 93 48 00	45590005	Needle	1	
	13 93 37 00	148614502	Main jet	1	
		78790032	Pump body	1	
		78310064	Pump plunger	1	
33	13 93 88 00	71850003	Ball	1	
		78320033	Valve housing	1	
		78820061	Plunger spring	1	
		78280034	Jet holder	1	
		787826528	Accelerator pump	1	
34	13 93 55 00		Atomizer	1	
35	13 93 59 00	14864502	Pilot jet	1	
36	13 93 60 00	77468002	Jet, starter unit	1	
37	13 93 61 00	61730037	Washer, starter unit jet	1	
38	13 93 66 00	76730037	Screw, adjusting, throttle slide	1	
39	13 93 67 00	46700061	Spring, throttle slide screw	1	
40	13 93 62 00	74490037	Screw, adjusting, idling	1	
41	13 93 63 00	74460061	Spring, idle screw	1	
42	13 93 68 00	17510027	Nut, air intake securing screw	1	
43	13 93 86 00	17500036	Screw, air intake securing	1	
44	13 93 87 00	17490050	Band, air intake	1	
45	13 93 89 00	74530062	Insulating bush	1	
46	13 93 49 00	45680036	Screw, fuel line adaptor	1	
47	13 93 47 00	40520030	Washer, adaptor securing screw	1	
48	13 93 46 00	62730038	Adaptor, fuel line	1	
49	43 93 40 00	61090029	Fuel filter	1	





**Additions and changes to the «V 850 Eldorado»
parts catalogue**

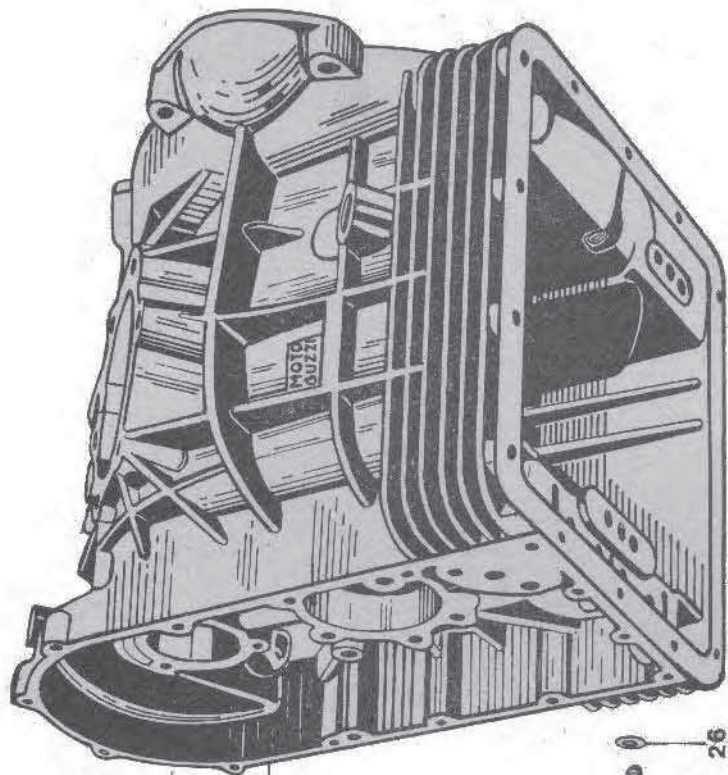
Reference:

Chain Timing System - From engine n. 58532

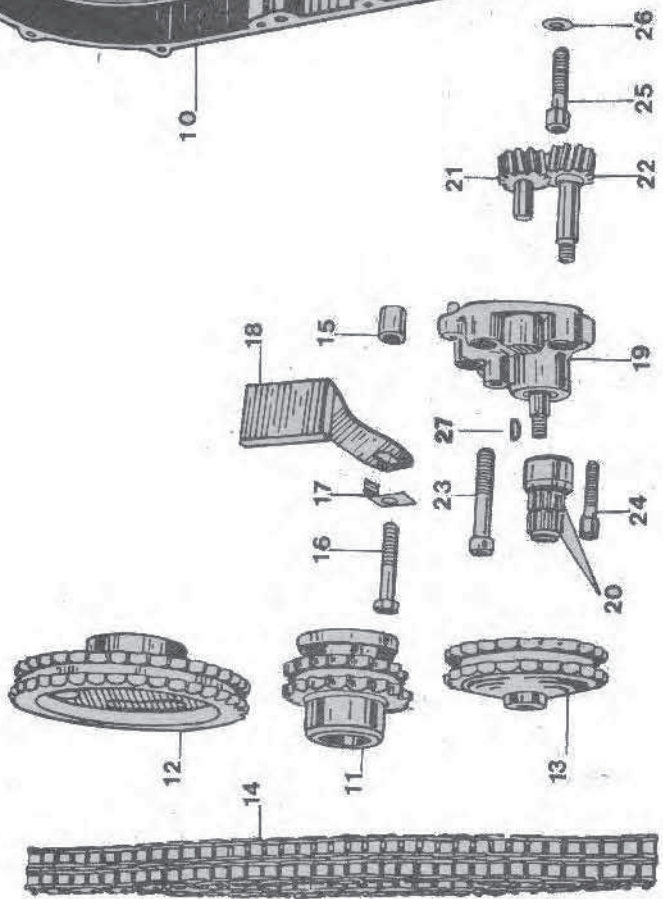


V 850 cc. ELDORADO - ADDITIONS AND CHANGES TO PLATES 2 - 3 - 4

REFERENCE TO ELDORADO PARTS CATALOGUE		New plate for chain timing system from engine n. 58532				
Plate N.	Fig. N.	Order N.	Fig. N.	Order N.	DESCRIPTION	Qty
2	10	13 00 07 01	10	13 00 07 02	Crankcase	1
3	23	13 07 17 00	11	13 07 20 01	Pinion, crankshaft (Z = 19)	1
			12	13 05 45 02	Sprocket wheel, camshaft (Z = 38)	1
3	3	3	13	13 14 77 01	Sprocket wheel, oil pump (Z = 24)	1
			14	13 05 80 00	Chain, timing	1
3	3	3	15	91 18 09 15	Spacer	2
3	3	3	16	98 05 24 40	Screw, chain tensionner	2
3	3	3	17	13 05 86 00	Lock plate	2
3	3	3	18	13 05 82 00	Chain tensionner	1
4	30	13 14 77 00	13	13 14 77 01	Sprocket wheel, oil pump (Z = 24)	1
4	27	13 14 62 01	19	13 14 64 02	Oil pump without driving sprocket wheel	1
4	4	4	20	92 25 22 10	Needle bearing (Durkop NAF 10 x 22 x 20)	2
4	29	12 14 85 00	21	13 14 84 00	Gear, driven	1
4	28	12 14 78 00	22	13 14 78 00	Spindle gear, driving	1
4	35	98 05 24 55	23	98 62 04 45	Long screw, oil pump securing	2
4	34	98 10 80 42	24	98 62 04 30	Short screw, oil pump securing	2
4	45	98 02 04 35	25	98 62 04 35	Screw, filter securing	1
4	46	95 12 00 85	26	95 00 42 08	Washer, filter securing screw	1
4	31	91 70 12 32	27	13 14 83 00	Key, oil pump driving gear	1



10



12

14

11

16

17

18

15

19

27

23

20

24

21

22

25

26



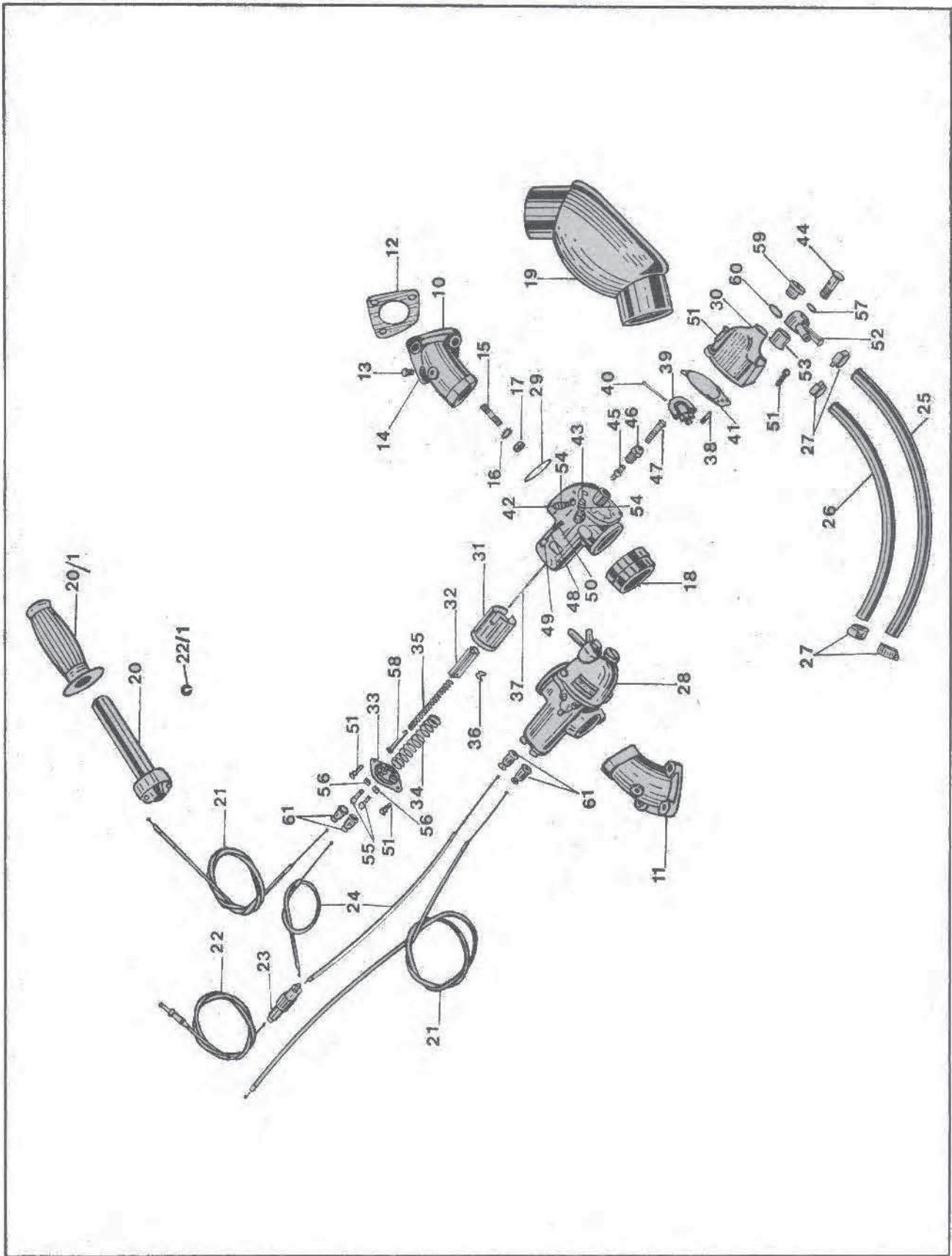
Additions to the «V 850 ELDORADO» parts catalogue

Reference:

«AMAL» carburettors parts for 850 Eldorado and California Models.

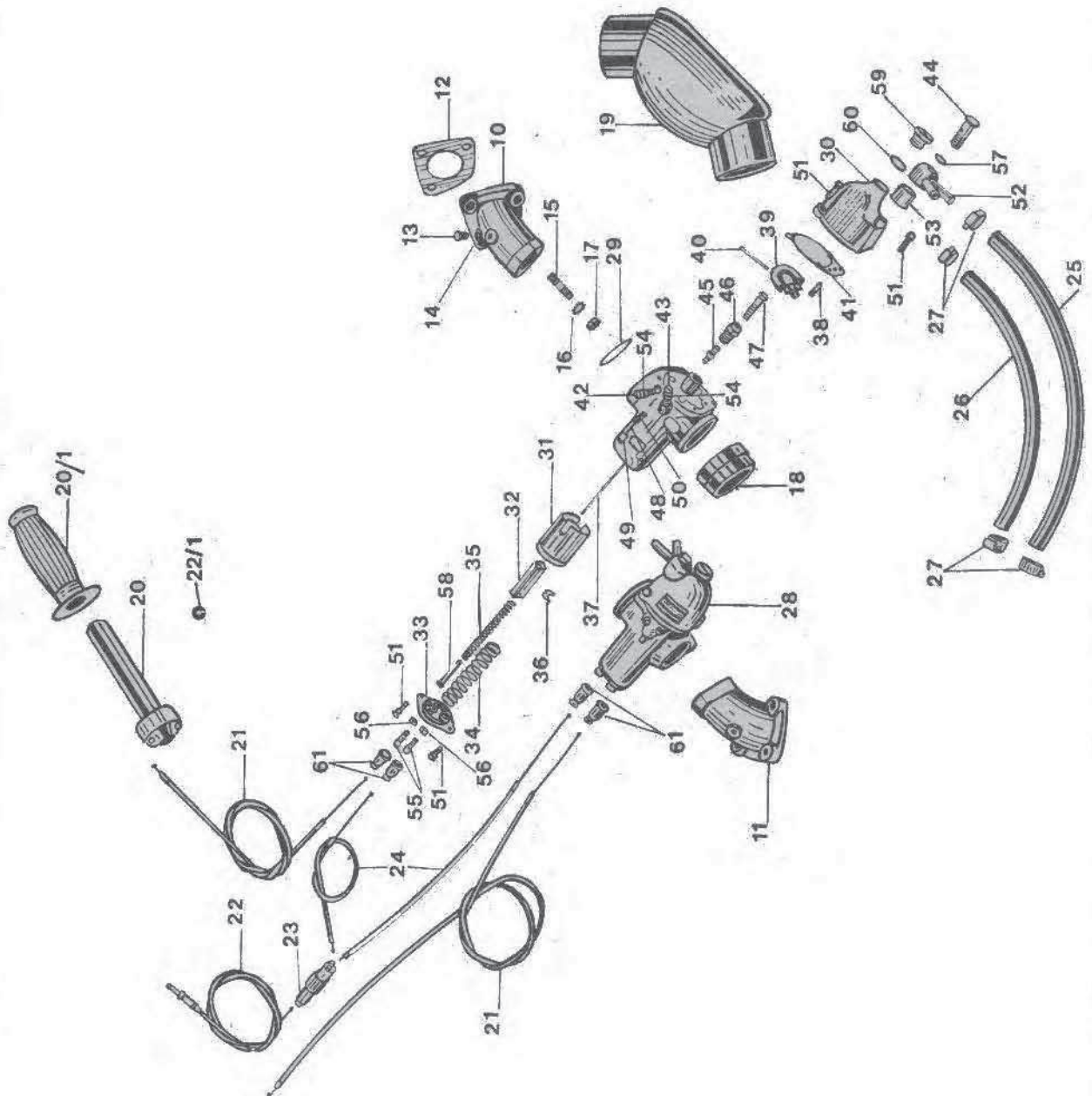


N. Fig.	Order N. Moto Guzzi	Order N. Ansa	D E S C R I P T I O N	Qty	Notes
10	13 11 50 60		Air intake tube, r/h.	1	
11	13 11 50 61		Air intake tube, l/h.	1	
12	14 11 55 00		Gasket, air intake insulating	4	
13	98 34 60 10		Screw, intake pipe to cylinder head	2	
14	95 10 01 16		Washer	2	
15	96 50 80 30		Bolt, intake pipe to carburetors	4	
16	95 02 11 08		Bolt washer	4	
17	92 60 22 08		Bolt nut	4	
18	13 11 44 60		Air intake tube on carburetors	2	
19	13 11 43 60		Rubber sleeve	1	
20	13 60 34 60		Twist grip control	1	
20/1	14 60 35 00		Rubber grip, handlebar r/h.	1	
	14 60 30 00		Rubber grip, handlebar l/h.	1	
21	13 11 75 60		Throttle cable	2	
22	13 60 83 60		Air cable, handlebar to speedo drive	1	
22/1	14 44 43 00		Cable washer	1	
23	13 11 74 60	244/104	Speedo drive, complete	1	
24	13 11 71 60		Air cable, speedo drive to carburetors	2	
25	95 98 57 31		Fuel line, tank to carburetors	2	
26	95 98 57 23		Tube, carburetors connection	1	
27	12 10 84 00		Band, connecting tube	6	
28	13 11 26 60	R930/80	Carburettor r/h, complete	1	
	13 11 26 61	L930/81	Carburettor l/h, complete	1	
29	13 11 49 60	622/101	Gasket, intake tube to carburettor	4	
30	13 93 00 60	622/055	Float chamber body	2	
31	13 93 01 60	928/060	Throttle valve	2	
32	13 93 02 60	928/062	Air valve	2	
33	13 93 03 60	928/064	Mixing chamber top	2	
34	13 93 04 60	622/131	Throttle valve spring	2	
35	13 93 05 60	622/129	Air valve spring	2	
36	13 93 06 60	622/067	Needle clip	2	
37	13 93 07 60	622/124	Throttle needle	2	
38	13 93 08 60	622/068	Needle for float	2	
39	13 93 09 60	622/069	Float	2	
40	13 93 10 60	622/071	Float spindle	2	
41	13 93 11 60	622/073	Float chamber washer	2	
42	13 93 12 60	622/076	Air adjuster screw	2	





N. Fig.	Order N. Moto Guzzi	Order N. Ansaldo	DESCRIPTION	Qty	Notes
43	13 93 13 60	622/077	Throttle stop	2	
44	13 93 14 60	622/078	Bolt, two ways adaptor securing	1	
45	13 93 15 60	622/122	Needle jet	2	
46	13 93 16 60	622/128	Jet holder	2	
47	13 93 17 60	376/100	Main jet	2	
48	13 93 18 60	622/089	Tickler stem	2	
49	13 93 19 60	622/081	Stem top	2	
50	13 93 20 60	14/032	Tickler spring	2	
51	13 93 21 60	622/086	Screws for mixing chamber and top	4	
52	13 93 22 60	376/410	Two ways adaptor for fuel lines	2	
53	13 93 23 60	376/093	Filter	2	
54	13 93 24 60	622/082	O ring	4	
55	13 93 25 60	4/035	Cable adjusters	4	
56	13 93 26 60	5/077	Cable adjuster locknut	4	
57	13 93 27 60	13/163	Adaptor gasket	2	
58	13 93 28 60	928/103	Air valve guide	2	
59	13 93 29 60	622/147	Float chamber plug	2	
60	13 93 30 60	622/151	Plug washer	2	
61	13 93 31 60	316/083	Cap. cable protection	4	



SEIMM



MOTO GUZZI

SERVICE DEPARTMENT

SPARE PARTS

SPARE PARTS CATALOGUE

MODEL: V-850 cc. ELDORADO

DECEMBER 1972

Plate n.	Fig. n.	DESCRIPTION	Previous order n°	Q.ty	New order n°	Q.ty	REMARKS
1	34	SCREW, rocker spindle	98054312	2	98054314	2	part modified
3	20/1	PISTON RING SET	13060900	2	13060660	2	amendment
4	27	OIL PUMP, complete, without driving gear	13146201	1	13146400	1	New design part Can be fitted also on AMBASSADOR model
* 9	43	BUSHING, 1st, 2nd, 3rd speed gear on layshaft		3	14213001	3	} New design parts
* 9	49	LAYSHAFT		1	14213611	1	
* 9	53	SLEEVE, fixed, on layshaft		1	14232511	1	
* 9	54	SLEEVE, sliding, 3rd and 4th speed		1	14231011	1	

(*) CAUTION: All items with an asterisk are fitted in transmissions marked "4".

It is also possible to assemble them in transmissions marked "3" or previous but in such case the entire old set of parts must be changed (14213000 - 13213610 - 14232510 - 14231010).

However, the above old set of parts will continue to be supplied until all stocks are exhausted.

MOTO GUZZI

PARTS FOR 850 cc CALIFORNIA

ADDITIONS TO THE V-850 ELDORADO PARTS
CATALOGUE

Plate 1**FRONT WHEEL – DISC BRAKE****CALIFORNIA 850**

Figure No.	Order No.	Description	Quantity
1	1361 0241	Front wheel, complete	1
2	1461 0301	Front wheel	1
3	1461 1501	Spoke with nipple	40
4	1261 6101	Balance weight (gr. 15 = 230 grains)	
4	1261 6102	Balance weight (gr. 20 = 307 grains)	
4	1261 6103	Balance weight (gr. 30 = 460 grains)	
5	1461 0801	Rim, front wheel	1
6	1461 3201	Hub, front wheel	1
7	1461 3301	Disc, front brake	1
8	9805 2499	Screws, disc to hub	6
9	1461 5902	Stop plate, nuts and screws	6
10	9260 2208	Nut, disc screws	6
11	9027 2047	Ring, Seeger (471)	1
12	9220 4220	Bearings, hub	2
13	1461 5201	Spacer, between hub bearings	1
14	1462 0301	Flange, hub	1
15	1361 3641	Flange, hub – disc side	1
16	1361 5641	Spacer, drum – disc side	1
17	9269 0171	Nut, wheel spindle	1
18	9511 0628	Washer, wheel spindle nut	1
19	1361 4140	Spindle, front wheel	1

Plate 1

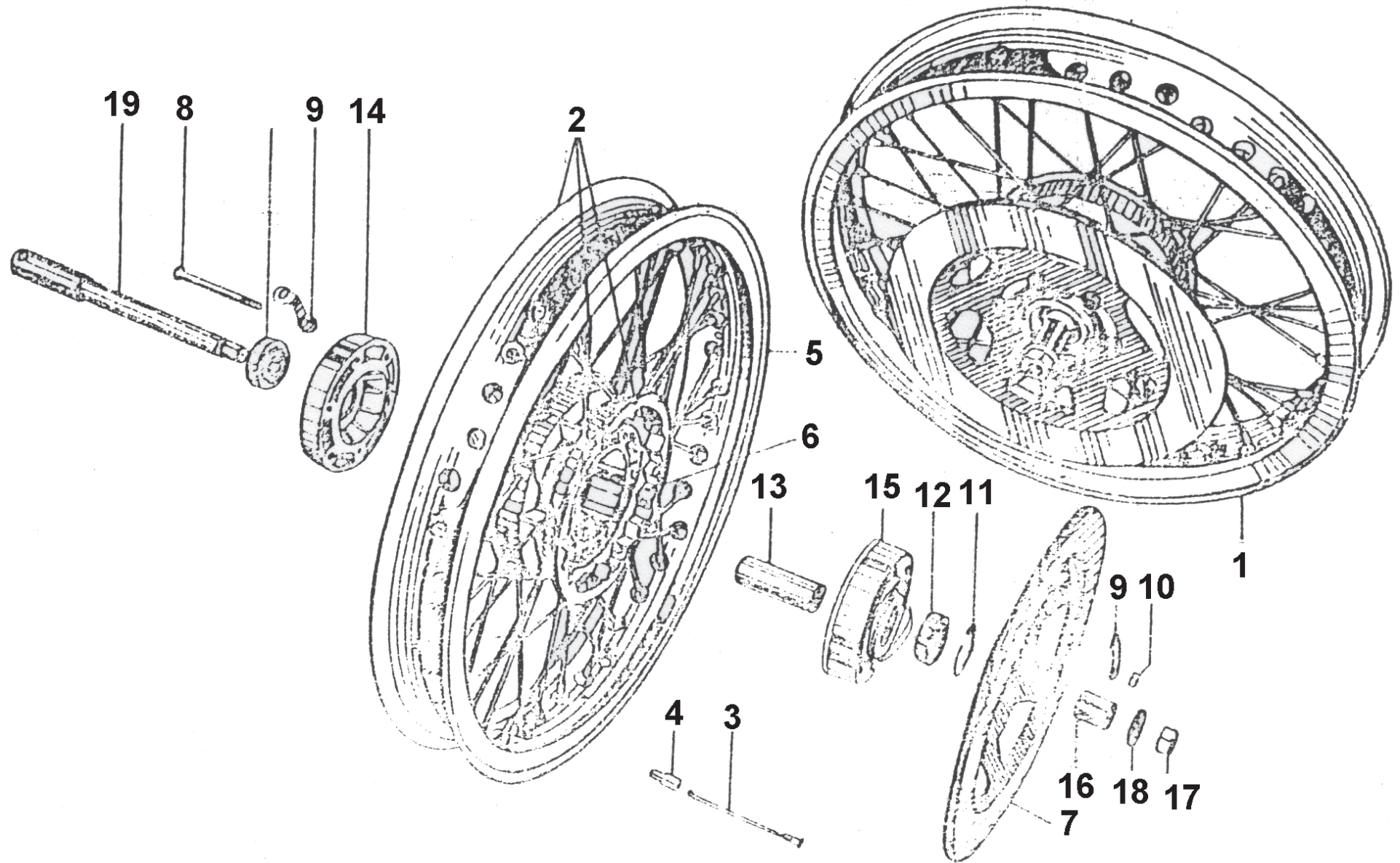


Plate 2**FRONT FORK - FENDER – BRAKE CONTROL****CALIFORNIA 850**

Figure No.	Order No.	Description	Quantity
	1349 0241	Front fork, complete	1
1	1352 5441	Tube, front fork	2
2	1350 4541	Cap, front fork	2
3	1350 4441	Sleeve, front fork	2
4	9862 0435	Screw, damper securing	2
5	9027 1014	Seeger Ring, rod end securing	2
6	1452 7900	Rod end	2
7	1452 7800	Tube, damper rod	2
8	1452 6505	Rubber ring, damper springs	2
9	9263 0106	Lock nut, damper securing	2
10	1452 6600	Spring, front fork	2
11	1452 6407	Damper, front fork	1
12	1349 6141	Headlight bracket, R/H	1
13	1349 6241	Headlight bracket, L/H	2
14	9262 0540	Screw, fork cover to wheel spindle	2
15	9260 2210	Nut, wheel spindle screws	2
16	9862 0312	Oil drain plug	2
17	9510 0116	Gasket, oil drain screws	2
18	9862 2535	Screw, rod tube securing	2
19	1052 8900	Gasket, rod tube screws	2
20	1452 7600	Bush, fork rod	2

Plate 2

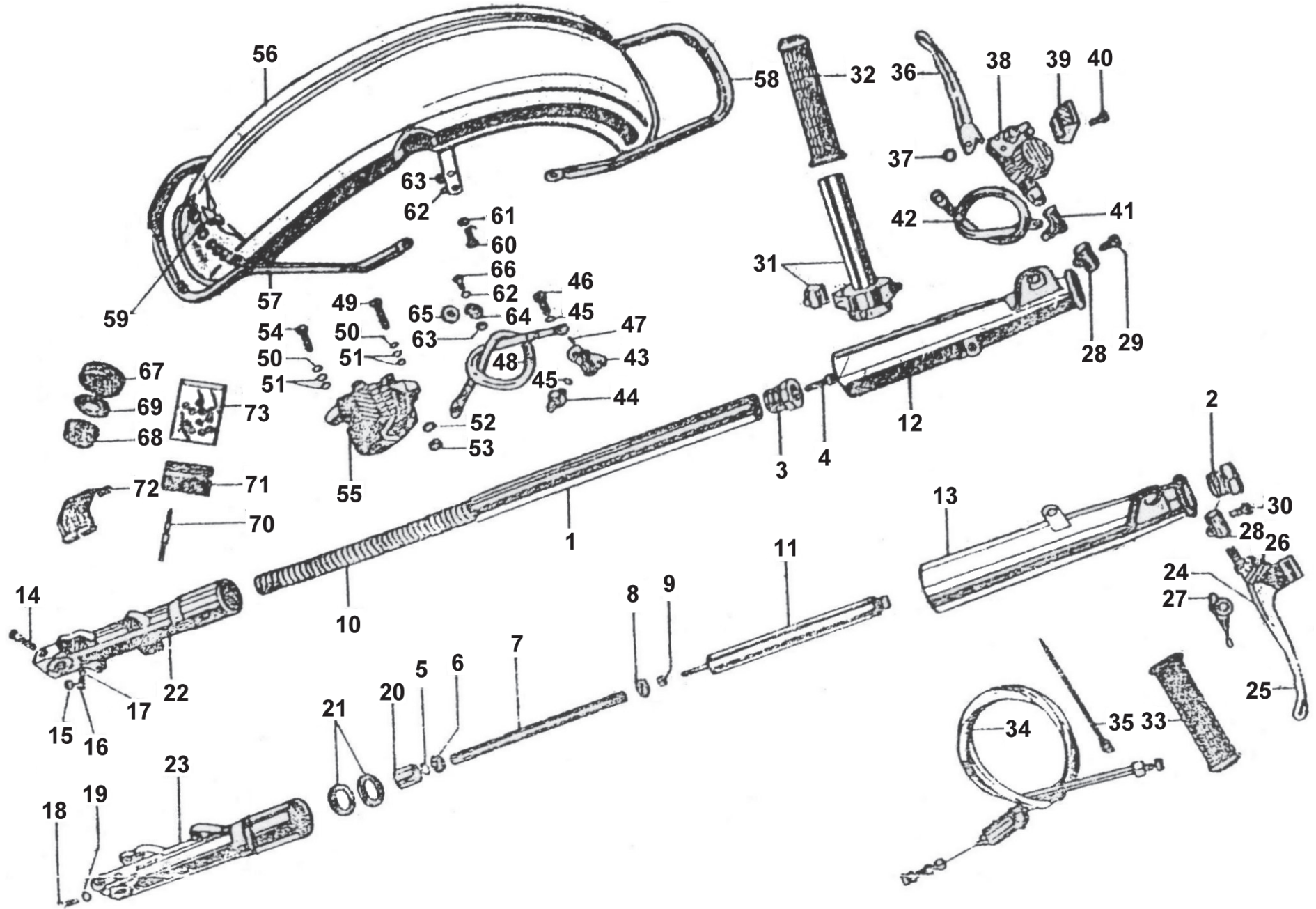


Plate 3**FRONT FORK - FENDER – BRAKE CONTROL****CALIFORNIA 850**

Figure No.	Order No.	Description	Quantity
21	9040 3547	Ring, fork covers	4
22	1452 2502	Cover, fork R/H	1
23	1452 2602	Cover, fork L/H	1
24	1460 5505	Clutch control lever, complete	1
25	1460 5705	Clutch control lever, bare	1
26	1460 1805	Bracket, clutch lever	1
27	1311 8040	Carburetor control lever	1
28	1460 2601	Clamp	2
29	9862 0330	Screw, right clamp	1
30	9862 2320	Screw, left clamp	1
31	1760 3400	Twist grip, throttle control	1
32	1460 3500	Right rubber grip	1
33	1460 3000	Left rubber grip	1
34	1309 3050	Clutch control cable	1
35	1360 9660	Band, cable securing	6
36	1460 5605	Front brake control lever	1
37	1460 5001	Washer, front brake lever	1
38	1466 0200	Master cylinder, on handlebar	1
39	1466 4000	Cap, clamp	1
40	9862 2318	Screw, clamp to master cylinder	2
41	1466 3800	Cap, master cylinder	1

Plate 3

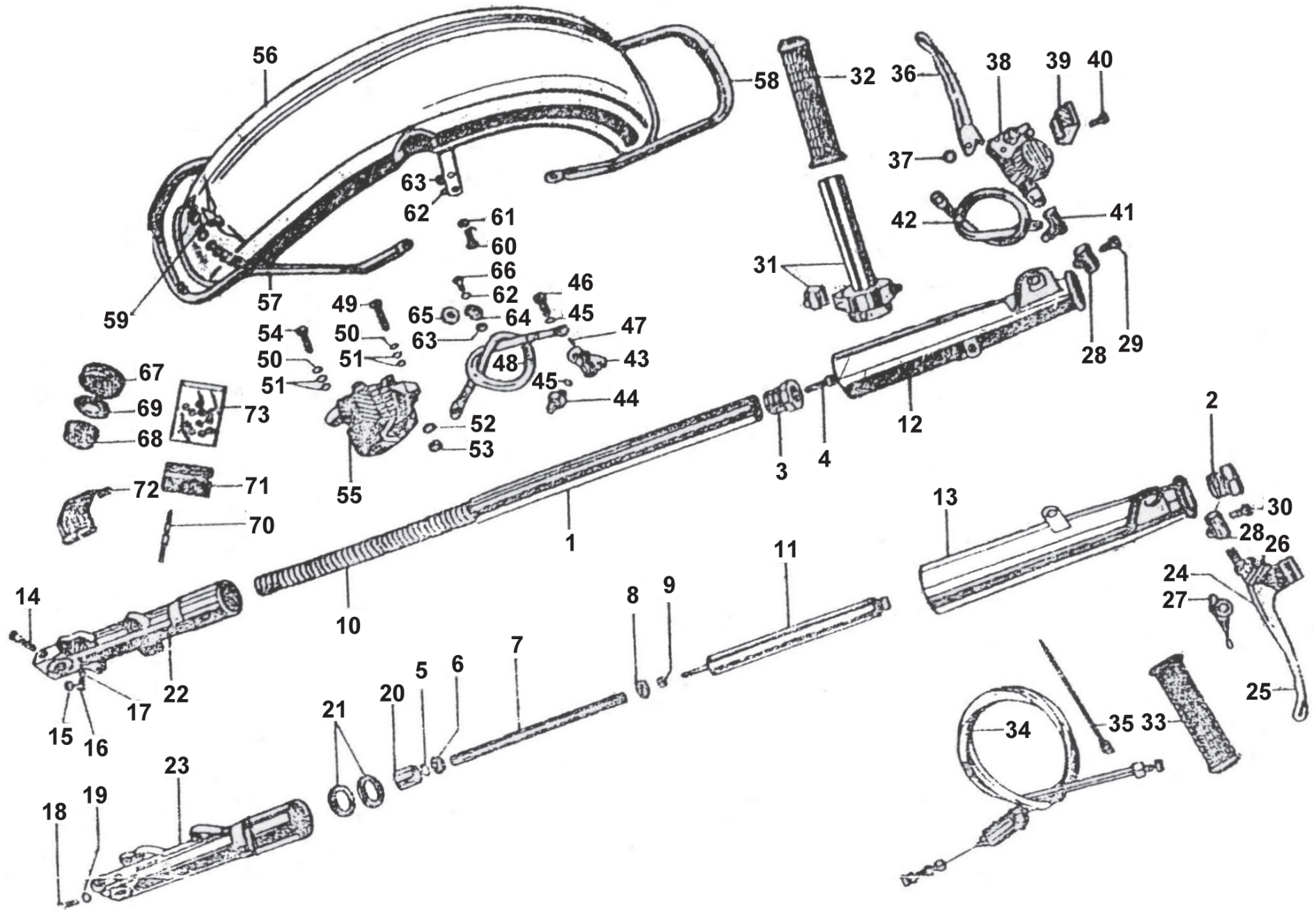


Plate 4

FRONT FORK - FENDER – BRAKE CONTROL

CALIFORNIA 850

Figure No.	Order No.	Description	Quantity
42	1365 7140	Flexible pipe, master cylinder to twin control	1
43	1365 6840	Twin control	1
44	2565 7001	Hydrostop light switch	1
45	2565 6100	Gasket, pipe screws and switch	9
46	9599 0033	Screws, pipe securing	4
47	9551 0311	Reference dowel	1
48	1365 7540	Flexible pipe, twin control to caliper	1
49	9805 2545	Upper screw, caliper securing	1
50	9500 4210	Washer, caliper screws	2
51	9510 0332	Shim, caliper adjusting mm. 0,5	0+4
51	9510 0333	Shim, caliper pushing mm. 0,8	0+4
52	9512 9180	Spring washer, upper screw	1
53	9060 2210	Nut, upper screw	1
54	9805 5430	Screw, caliper securing	1
55	1465 3001	Caliper	1
56	1343 4341	Front fender (<i>white/black trim, 1343 4322 black/white trim</i>)	1
57	1343 5741	Stay, top, front fender	1
58	1343 5941	Stay, bottom, front fender	1
59	9285 0752	Decal, front fender	1
60	9805 4320	Screw, center attachment plate	4
61	9500 0206	Washer, center plate fixing screws	4

Plate 4

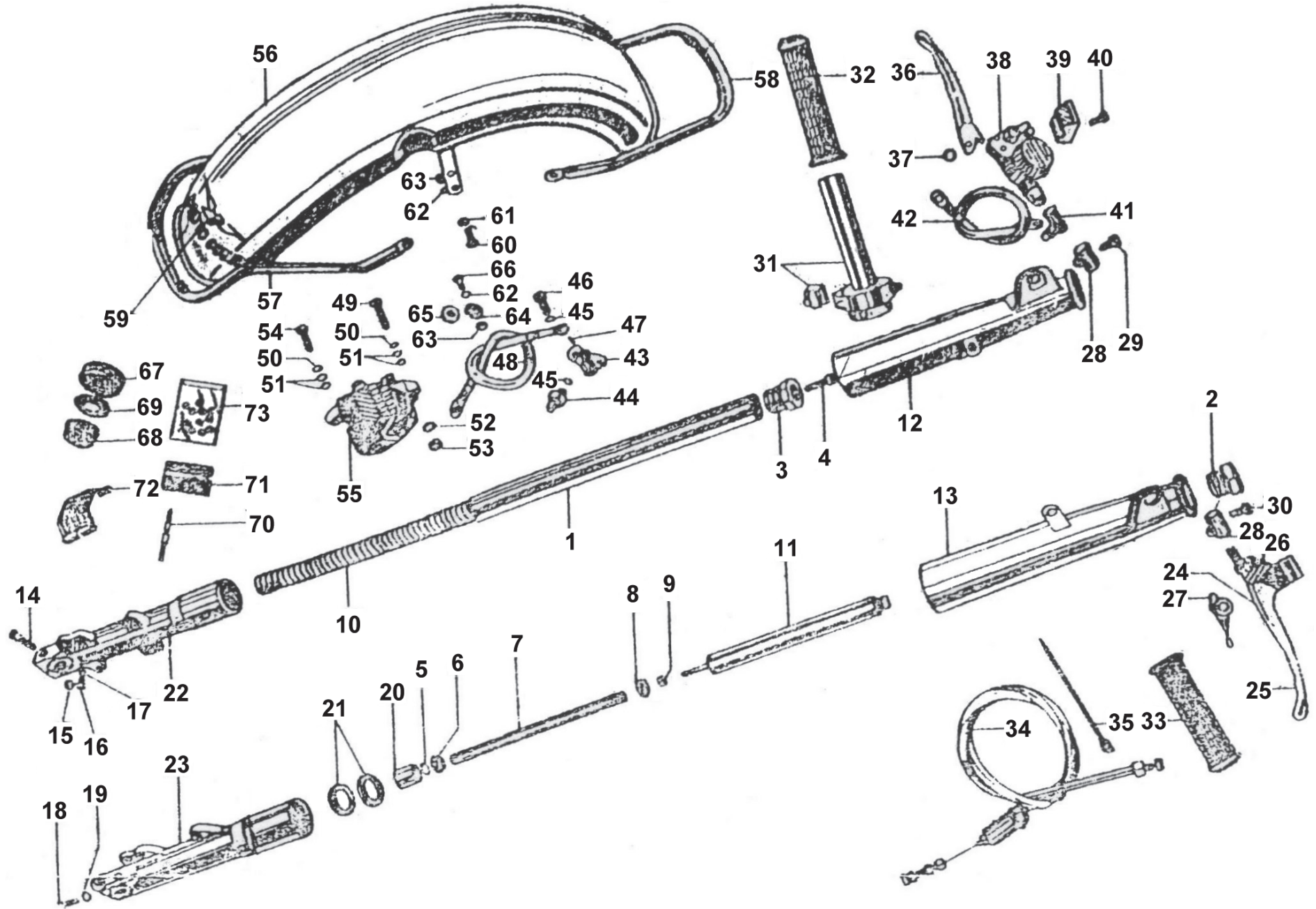
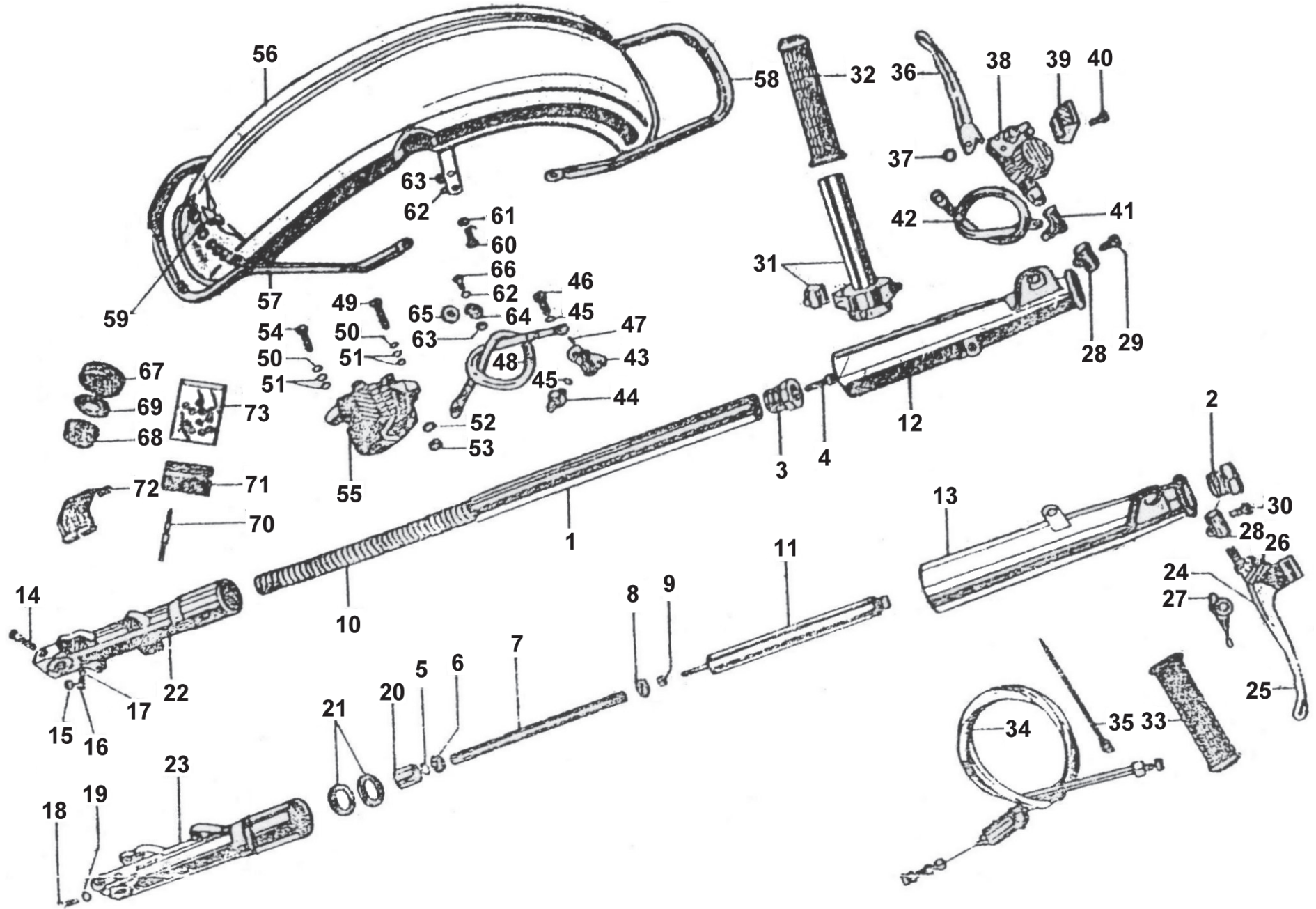


Plate 5**FRONT FORK - FENDER – BRAKE CONTROL****CALIFORNIA 850**

Figure No.	Order No.	Description	Quantity
62	9502 1106	Spring washer, toothed, stay and eyelet	4
63	9260 2206	Nut, stay and eyelet fixing screw	4
64	5543 6525	Eyelet, cable guide	1
65	9155 1131	Rubber ring, eyelet	1
66	9805 4312	Screw, eyelet to fender	1
67	1466 1100	Cap, master cylinder	1
68	1466 1300	Bellows	1
69	1466 1200	Membrane	1
70	1465 4400	Pin, pad retainer	2
71	1465 4601	Brake pads	2
72	1465 5700	Cover	1
		Overhauling Kits	
73	1465 9000	Caliper gaskets	1
73a	1465 9100	Brake pads	1
73b	1465 9200	Bleeding system	1
73c	1465 9300	Master cylinder	1
73d	1465 9400	Lever screws	1

Plate 5



MOTO GUZZI

PARTS FOR 850 cc CALIFORNIA POLICE ONLY

ADDITIONS TO THE V-850 ELDORADO PARTS
CATALOGUE

Plate 1

TANK – FOOTBOARDS AND FOOT CONTROLS

CALIFORNIA 850

Figure No.	Order No.	Description	Quantity
36	4359 4380	Washer, external, mat screws	12
37	9500 0205	Washer, flat, mat screws	12
38	9260 2205	Nut, mat screws	12
39	9578 0268	Pin, footboards to brackets	4
40	1345 5140	Bracket, footboard, R/H	1
41	1367 7040	Lever, rear brake	1
42	4326 2180	Pedal, rubber, brake lever	1
43	1367 5040	Rod, rear brake lever, complete	1
44	1367 5140	Rod	1
45	1225 8501	Lever, rear brake pivot	1
46	1367 5440	Spindle, rear brake lever	1

Plate 1

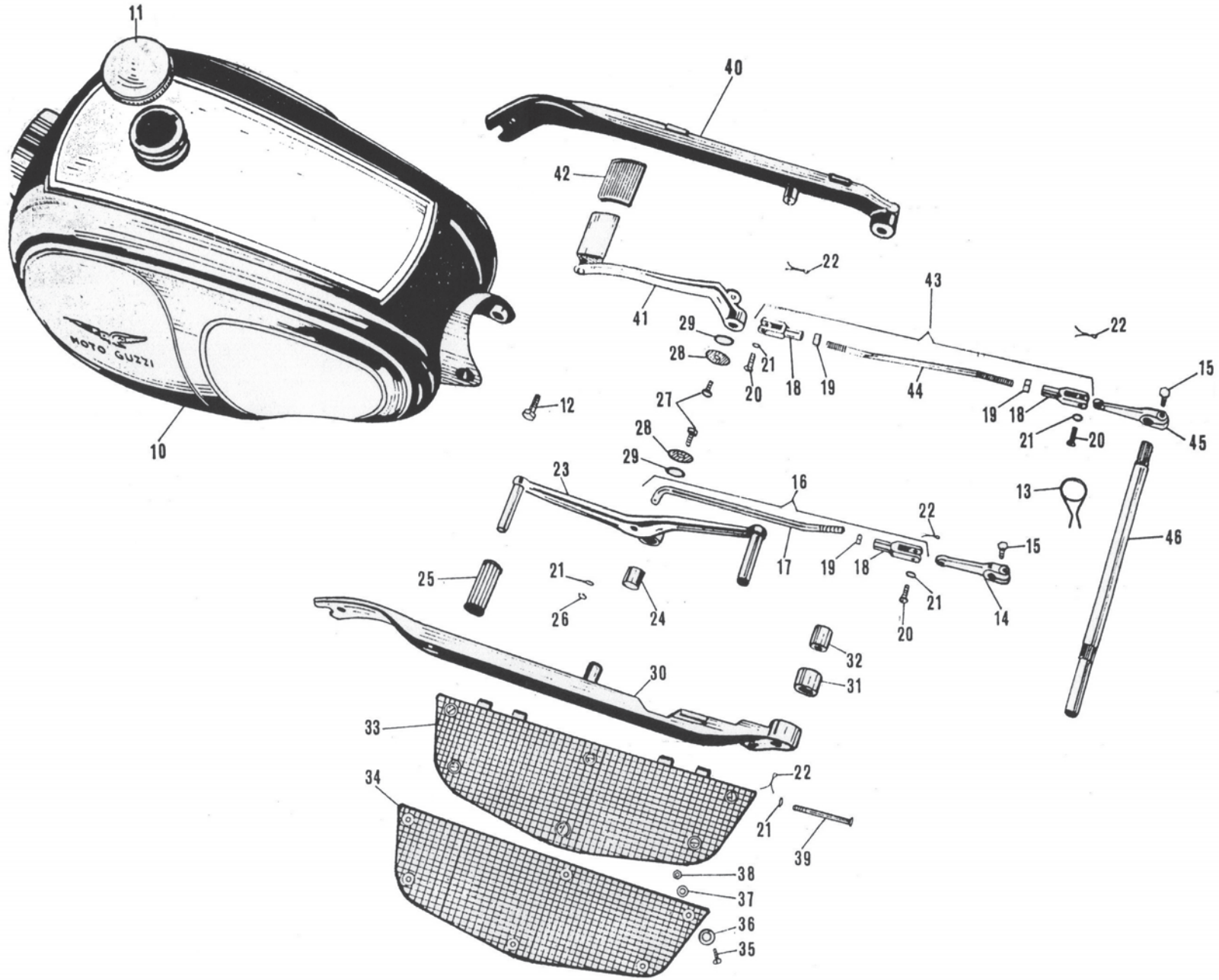


Plate 2

FRAME – SAFETY BARS – SADLEBAGS – FRONT AND REAR FLASHER BRACKETS AND WINDSHIELD - SEAT

CALIFORNIA 850

Figure No.	Order No.	Description	Quantity
10	1340 0140	Frame, modified and with siren bracket welded	1
11	1342 9600	Stud, engine to frame securing	2
12	4326 3325	Cushion, siren	1
13	9270 0128	Nut, engine to frame stud	4
14	9510 0415	Washer, engine securing stud	4
15	1341 8240	Bracket, battery	1
16	1346 9440	Radio carrier	1
17	9505 4314	Screw, radio carrier to frame	3
18	9502 1106	Washer, carrier screws and flasher bracket screws	5
19	9260 2206	Nat, radio carrier screws	5
20	1343 2040	Side stand	1
21	1343 7040	Fender, rear	1
22	1343 6840	Bracket, rear flashers	1
23	9802 4312	Screw, rear bracket flashers	2
24	1345 8840	Crash bar, rear, L/H	1
24	1345 8240	Crash bar, rear, R/H	1
25	9260 2210	Nut, crash bar/and saddlebags securing	6
26	9502 1110	Washer, crash bar securing	4
27	9805 4530	Screw, bottom crash bar securing	2
28	1346 0540	Seat	1
29	1346 1900	Spring, seat, R/H	1
29	1346 2100	Spring, seat, L/H	1
30		Screw, spring to seat	1
31		Washer, flat, seat screw	2
32		Washer, spring, seat screws	2
33		Nut, seat screws	2
34	1346 2040	Container, R/H, seat springs	1
34	1346 2045	Container, L/H, seat spring	1
35	1346 3240	Bolt, threaded, rear securing	2

Plate 2

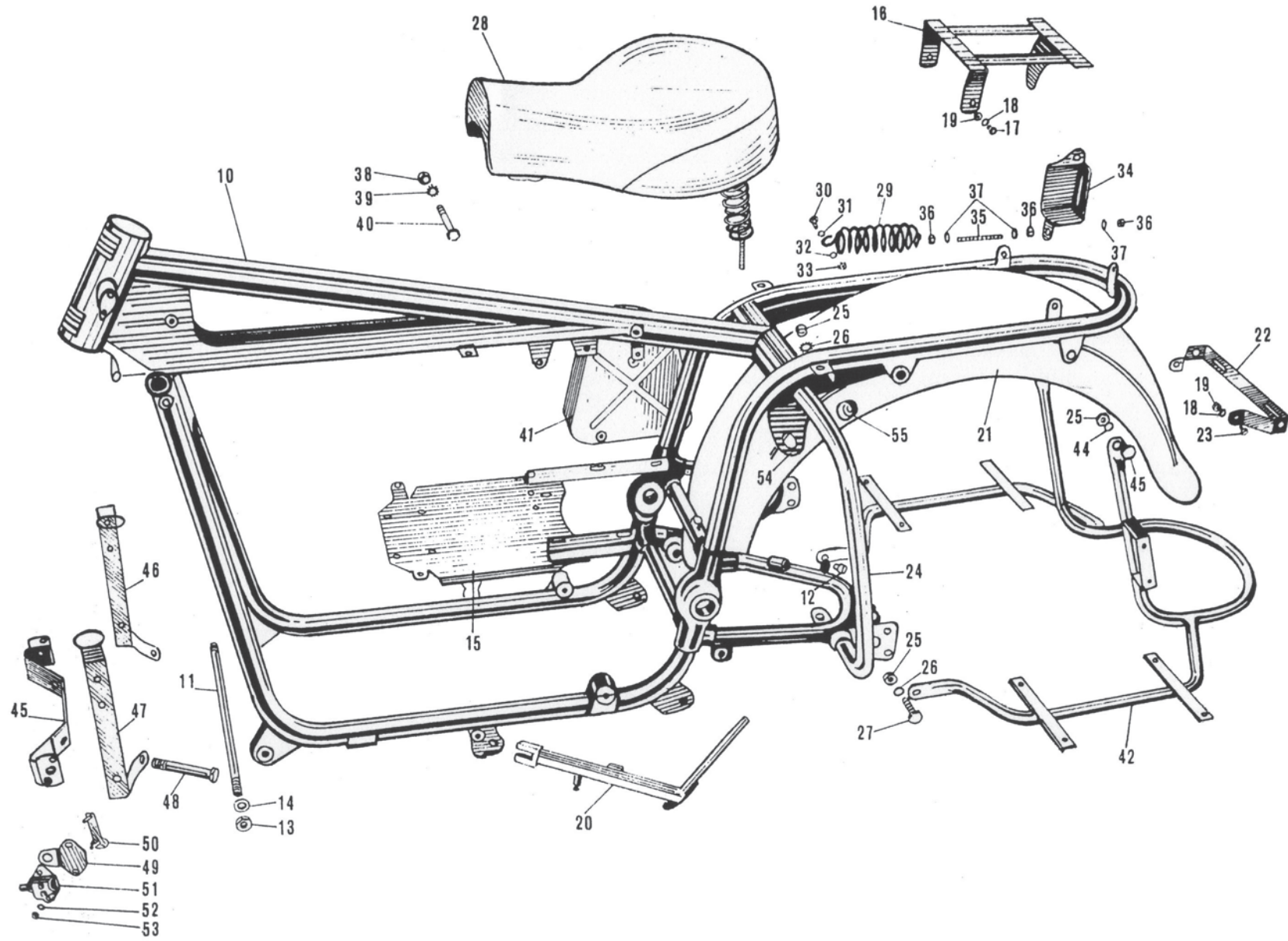


Plate 2

FRAME – SAFETY BARS – SADDLEBAGS – FRONT AND REAR FLASHER BRACKETS AND WINDSHIELD - SEAT

CALIFORNIA 850

Figure No.	Order No.	Description	Quantity
36	9260 2208	Nut, threaded bolt	8
37	9500 0208	Washer, threaded bolt	8
38	9263 0108	Nut, front seat screw	1
39		Washer, front seat screw	1
40		Screw, front seat securing	1
41	1247 6001	Tool box c/w lock	1
42	1348 5040	Attachment, saddlebags	1
43	9805 4522	Screw, saddlebag attachment	2
44	9510 0311	Washer, saddlebag attachment screws	2
45	1350 6340	Bracket, front flashers	1
46	1350 6840	Bracket, R/H, windshield attach.	1
47	4350 6940	Bracket, L/H, windshield attach.	1
48	9805 3690	Screw, bracket to bottom yoke	2
49	1362 9240	Lug, stop cutout holder on hub cover	1
50	1362 9540	Plate, stop cutout retaining	1
51	5574 1100	Stop cutout, front	1
52	9510 0055	Washer, front stop cutout	2
53	9370 0050	Nut, front stop cutout securing	2
54	1373 6440	Lug, switch holder	1
55	1373 5840	Cap, rubber	1

Plate 2

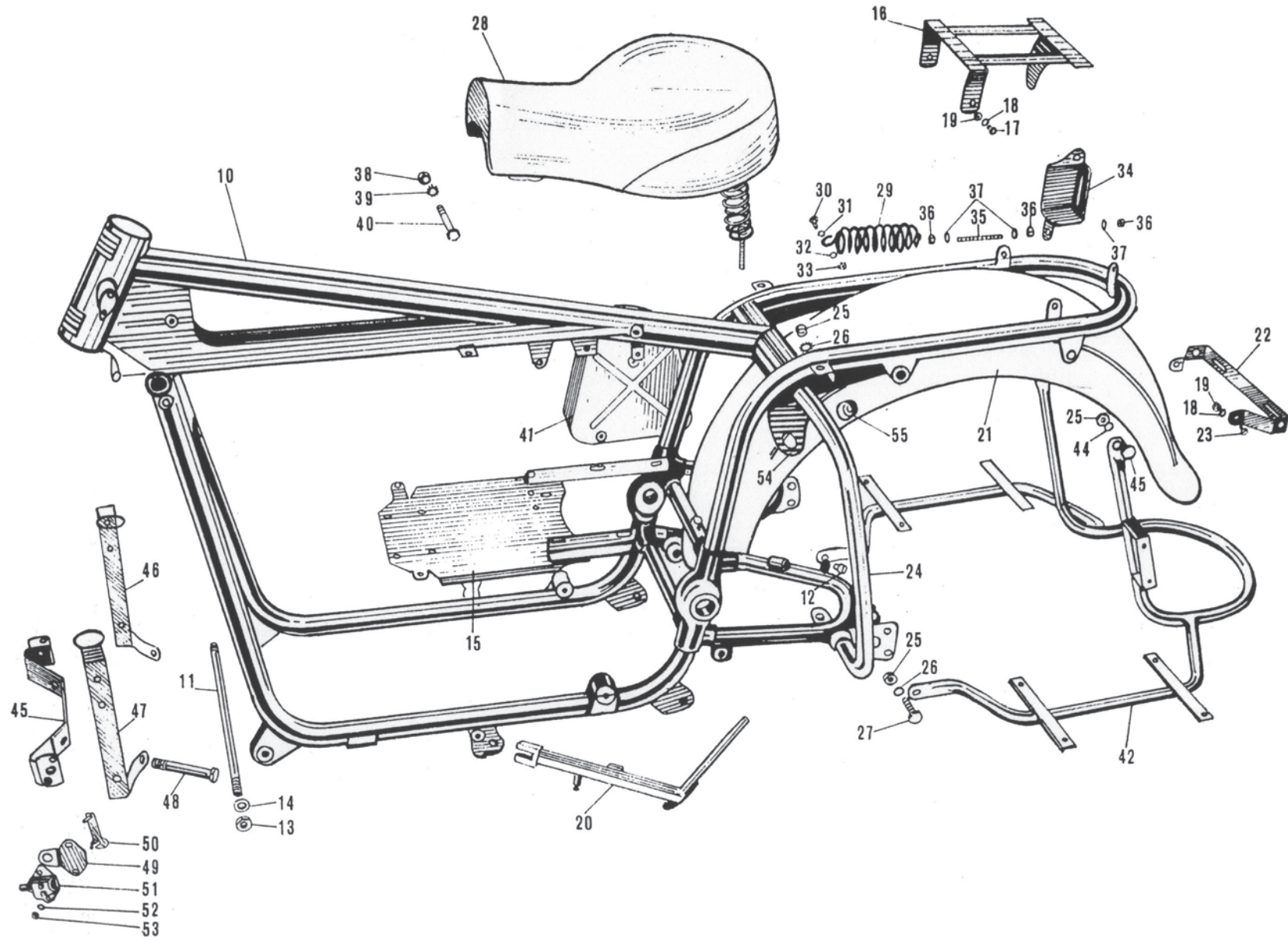


Plate 3

HANDLEBAR – CONTROL CABLES – INSTRUMENT PANEL – INDICATOR LIGHTS – SPEEDO – STARTER MOTOR

CALIFORNIA 850

Figure No.	Order No.	Description	Quantity
10	1360 0340	Handlebar	1
11	1350 0240	Clamp	2
12	1350 2540	Bracket, front, microphone, bottom	1
13	1350 2440	Bracket, microphone, top	1
14	9805 4314	Screw, bracket securing	2
15	9510 0130	Washer, bracket screws	2
16	1360 5440	Lever front brake, complete	1
17	1260 1050	Fulcrum, lever	1
18	1360 6840	Lever, siren control, complete	1
19	4360 5440	Lever, siren, bare	1
20	4060 3700	Fulcrum, siren lever	1
21	4560 5100	Nut, lever screw	1
22	4560 5000	Washer, lever screw	1
23	4560 4900	Screw, lever Securing to fulcrum	1
24	4560 6300	Screw, fulcrum to handlebar	1
25	4560 5300	Bushing on fulcrum	1
26	4560 5800	Roller, siren cable	1
27	1360 6640	Cable, siren control	1
28	1374 4440	Spring, siren return	1
29	1374 4540	Clip, siren cable fixing	1
30		Cable, front brake	1
31		Cable, clutch	1
32		Cable, throttle to 2-way adaptor	1
33		Cable, easy start control from handlebar to 2-way adaptor	1
34	1350 1540	Panel, instruments	1
35	9551 0108	Dowel, instrument panel	1
36	1350 1740	Spacer ring, instrument panel	1
37	1376 1640	Speedo head	1

Plate 3

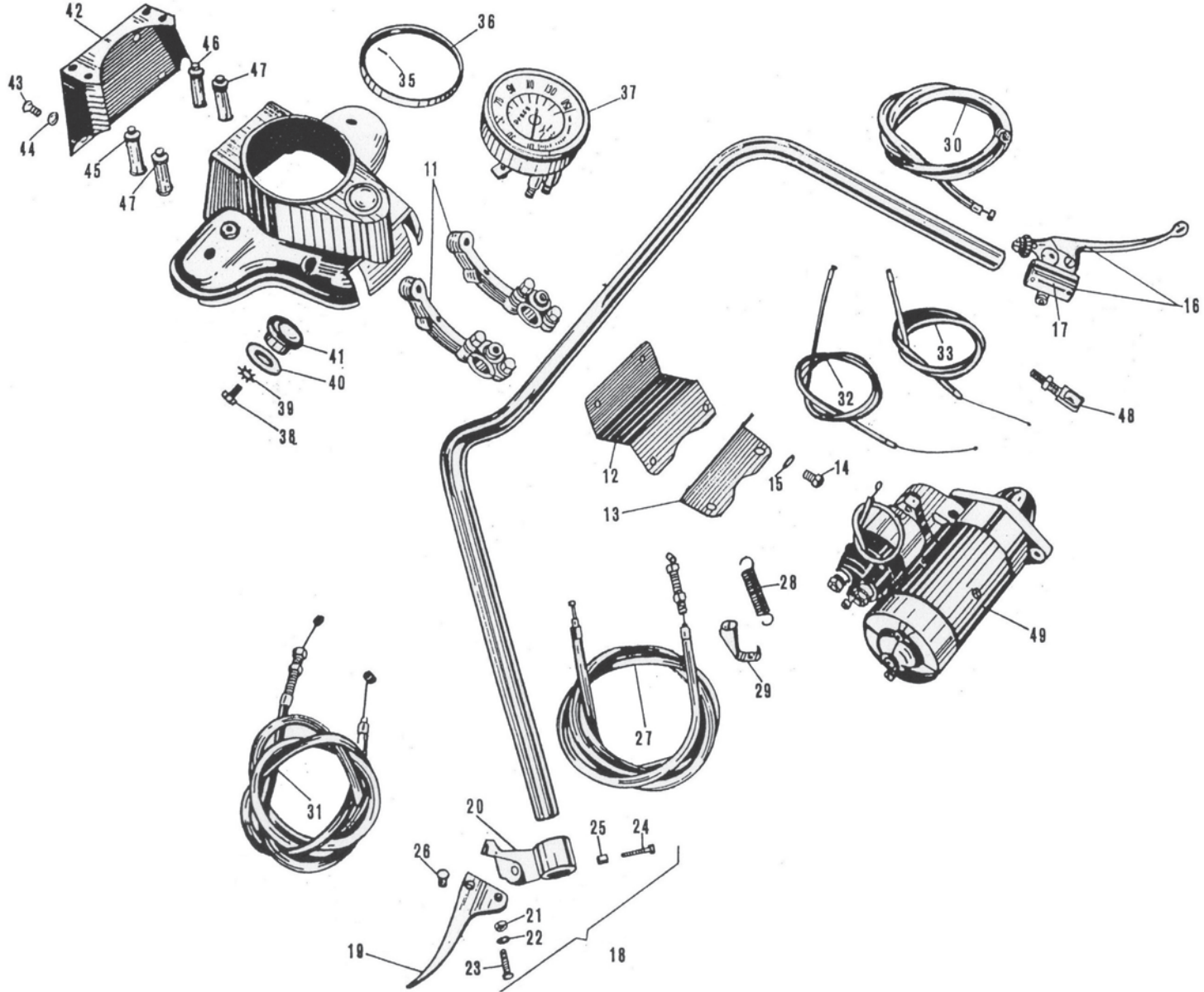


Plate 3

HANDLEBAR – CONTROL CABLES – INSTRUMENT PANEL – INDICATOR LIGHTS – SPEEDO – STARTER MOTOR

CALIFORNIA 850

Figure No.	Order No.	Description	Quantity
38	9810 6009	Bolt, instrument panel plug	1
39	9502 1106	Washer, toothed, plug bolt securing	1
40	9510 0142	Washer, flat, panel plug	1
41	1350 1440	Plug, instrument panel	1
42	1350 2740	Panel, indicator lights	1
43	9824 0812	Screw, indicator lights panel	1
44	9510 0225	Washer, indicator panel screw	1
45	1374 4901	Indicator light, green, parking	1
46	1074 4900	Indicator light, amber, neutral	1
47	1074 4902	Indicator light, generator and oil press (red) 2	2
48	1374 0740	Block, threaded, headlight securing	2
49	1373 0740	Starter motor, Marelli MT40 HA	1

Plate 3

